

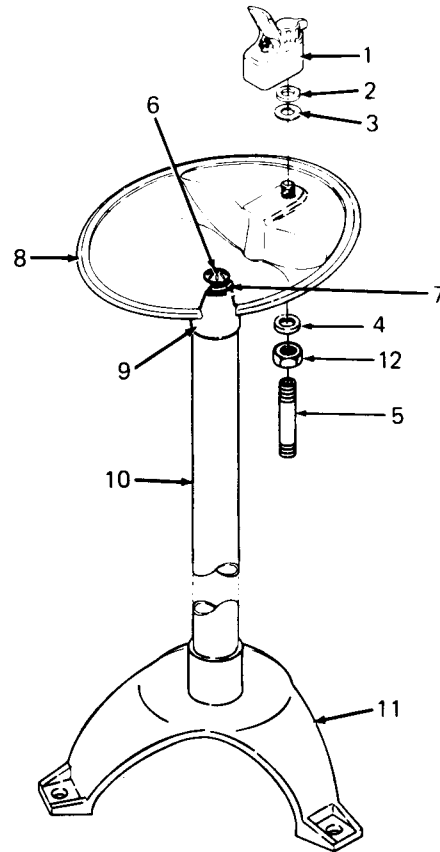
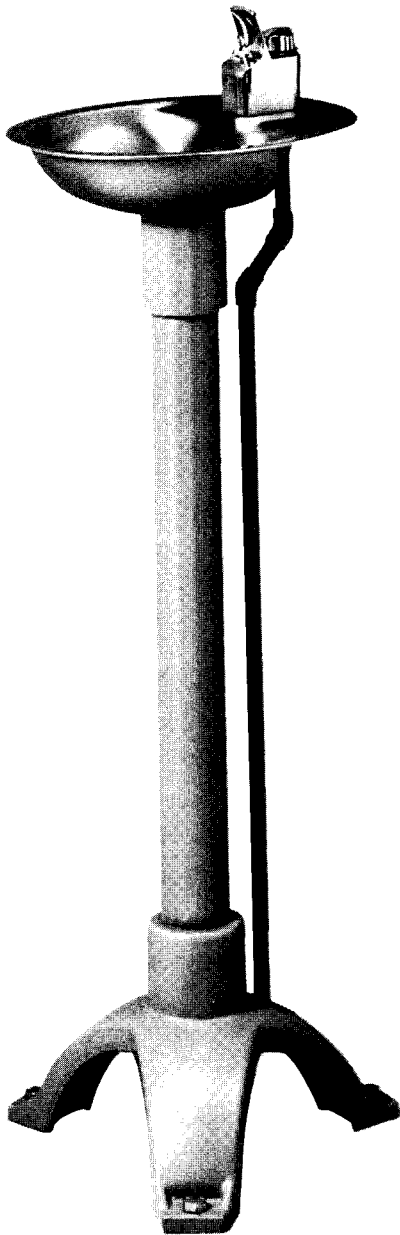


Kelvinator

White-Westinghouse®

ILLUSTRATED PARTS BREAKDOWN

**PEDESTAL DRINKING FOUNTAIN MODELS:
DF-400-001 FLF400 FLF400-001**



PARTS LIST

ITEM NO.

DESCRIPTION

1	12000 Valve	026551-002
	12000A Valve (FLF-001 Series)	030774-002
2	Valve Body Gasket	008983
3	Friction Washer	009281
4	Bubbler Spud Gasket	010545
5	Nipple	029582-001
6	Strainer Assembly	024207
7	Strainer Gasket	011416
8	Pedestal Basin	029579-001
9	Basin Support	024589
10	Fountain Standard	024605
11	Fountain Base	024670
12	Lock Nut	023347

OASIS® & AQUARIUS® are registered trademarks of EBCO Manufacturing Company
The trademarks Kelvinator® and White-Westinghouse® are used under license from White Consolidated Industries, Inc.

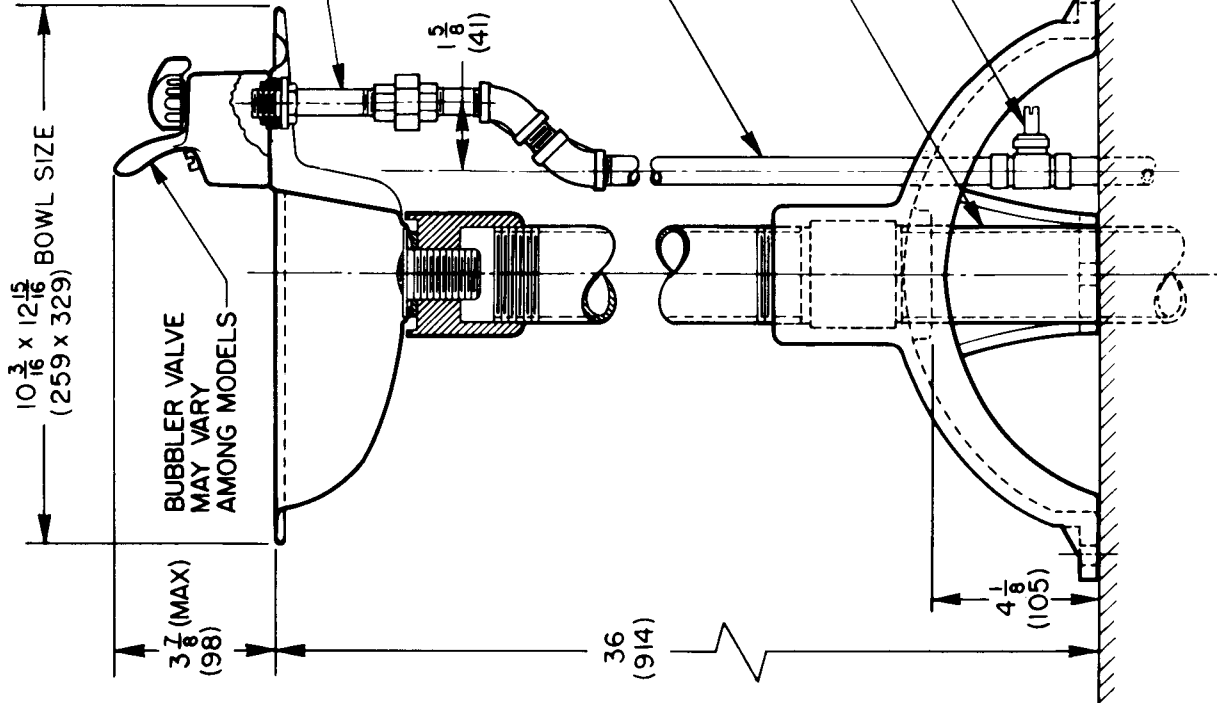
EBCO®
MANUFACTURING COMPANY

265 N. Hamilton Rd. • P.O. Box 13150 • Columbus, OH 43213-0150 • 614/861-1350 • Fax: 614/861-5017

FORM NO. 6030

9/93

Copyright 1993 EBCO Manufacturing Co.



NOTES:
 ALL DIMENSIONS ARE IN INCHES.
 DIMENSIONS IN PARENTHESES () ARE IN MILLIMETERS.
 $\frac{3}{8}$ INCH SUPPLY PIPE, SHUTOFF VALVE, $\frac{1}{4} \times \frac{3}{8}$ REDUCER,
 UNION & 2 INCH WASTE PIPE ARE NOT FURNISHED WITH
 DRINKING FOUNTAIN.

ECN	DATE	ECN	DATE
1	12/04/13		
2	01/01/14		
3	02/01/14		
4	03/01/14		
5	04/01/14		
6	05/01/14		
7	06/01/14		
8	07/01/14		
9	08/01/14		
10	09/01/14		
11	10/01/14		
12	11/01/14		

ENGINEERING DEPARTMENT
EBECO MANUFACTURING COMPANY
 201 North Main Street, Col. Ind. Bldg. 12173

SCALE: A.S.
 DRAWN: P.F.
 CHECK: J.W.
 DATE: 4-30-79

ROUGHING-IN & DIM DWG
 PED FTN

ECN 790233

024627