



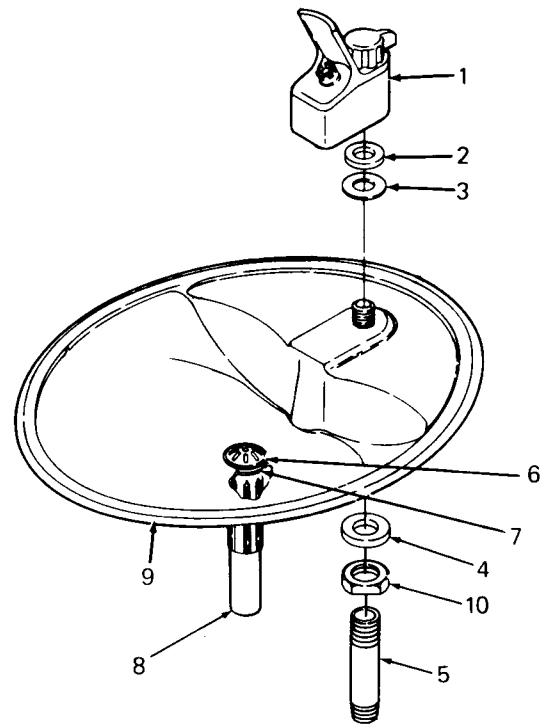
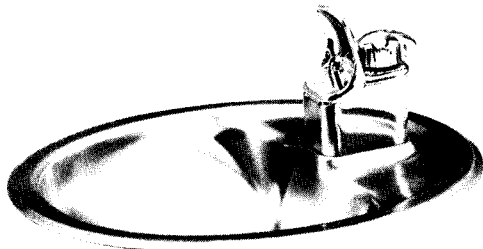
AQUARIUS

Kelvinator

White-Westinghouse®

ILLUSTRATED PARTS BREAKDOWN

**COUNTER-TOP
DRINKING FOUNTAIN MODELS:
DF-300-001 FLF300 FLF300-001**



PARTS LIST

ITEM NO.	DESCRIPTION	
1	12000 Valve	026551-002
	12000A Valve (FLF-001 Series)	030774-002
2	Valve Body Gasket	008983
3	Friction Washer	009281
4	Gasket	010545
5	Nipple	029582-001
6	Strainer Assembly	024207
7	Strainer Gasket	011416
8	Waste Tail Piece	019915
9	Counter Top Basin	029580-001
10	Lock Nut	023347

OASIS® & AQUARIUS® are registered trademarks of EBCO Manufacturing Company
The trademarks Kelvinator® and White-Westinghouse® are used under license from White Consolidated Industries, Inc.

EBCO® MANUFACTURING COMPANY

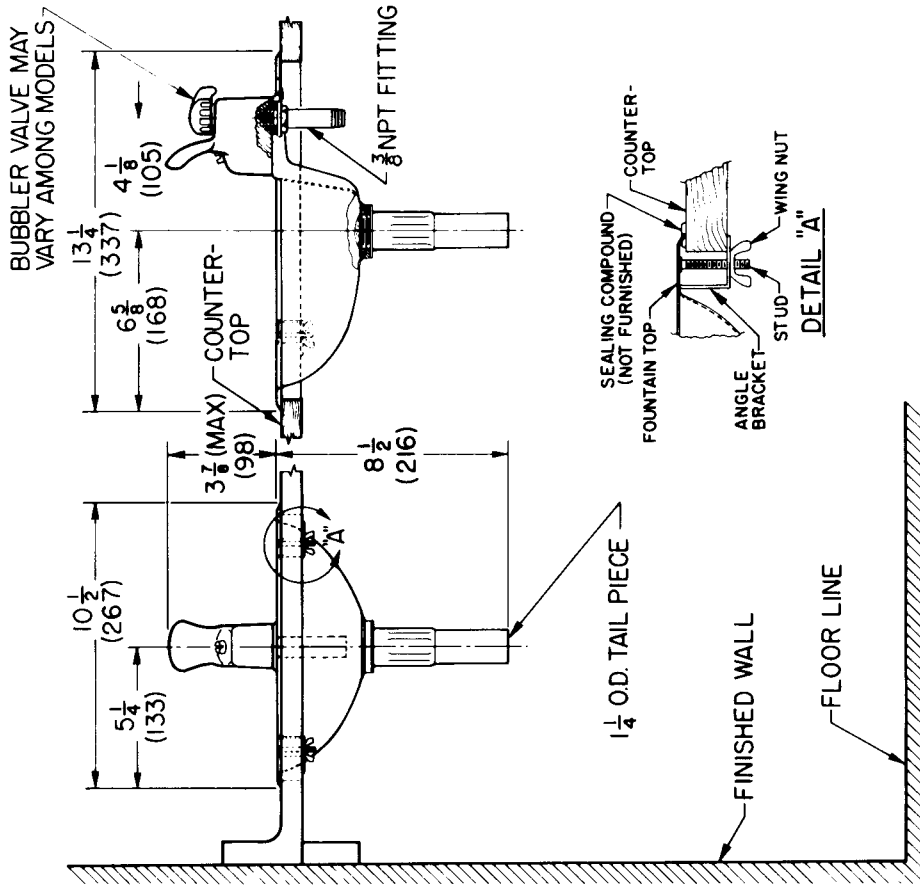
265 N. Hamilton Rd. • P.O. Box 13150 • Columbus, OH 43213-0150 • 614/861-1350 • Fax: 614/861-5017

FORM NO. 6029
9/93

Copyright 1993 EBCO Manufacturing Co.

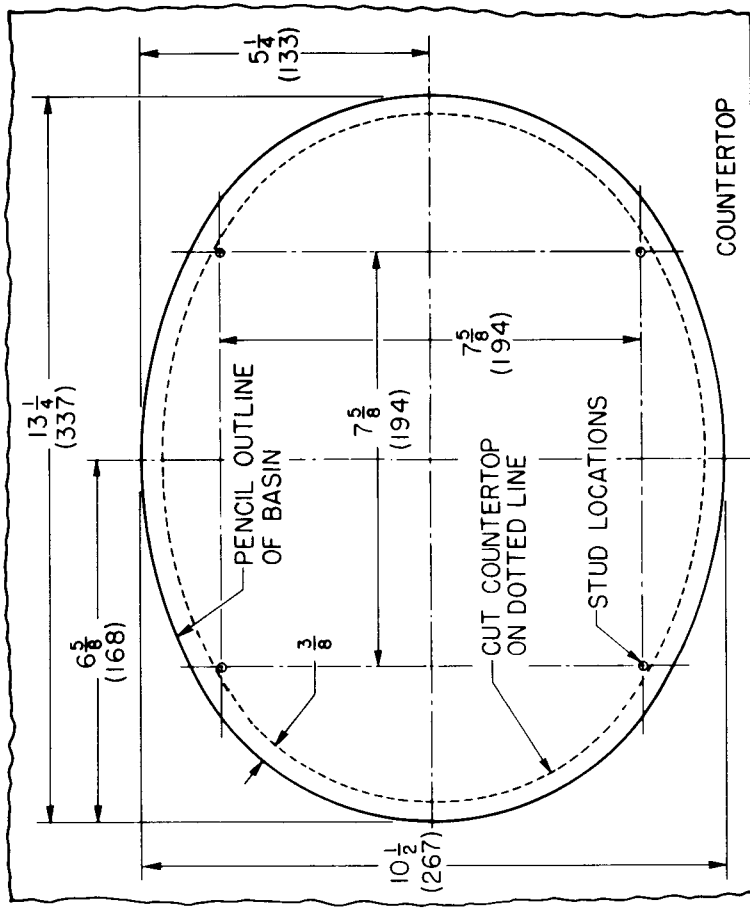
Fountain Models DF-300

DIMENSIONAL DRAWING



APPLY SEALING COMPOUND 3/8" WIDE, 1/8" THICK AROUND CUTOUT. FASTEN BASIN IN PLACE WITH ANGLE BRACKETS (4) AND WING NUTS (4) PROVIDED. SEE DETAIL "A". ONLY LIGHT FINGER PRESSURE IS REQUIRED TO SECURE THE BASIN IN PLACE.
 ALL DIMENSIONS ARE IN INCHES.
 DIMENSIONS IN PARENTHESES () ARE IN MILLIMETERS.

ROUGHING-IN DRAWING



MOUNTING DRINKING FOUNTAIN TO COUNTERTOP:
 PLACE BASIN UPSIDE DOWN ON COUNTERTOP IN THE EXACT DESIRED LOCATION, DRAW AN ACCURATE PENCIL OUTLINE OF BASIN ON COUNTERTOP. MAKE A SECOND OUTLINE 3/8" SMALLER ALL AROUND AND MAKE A CUTOUT FOR THE BASIN.

DATE	BY	CHECKED	APPROVED
ROUGHING-IN & DIM DWG CT FTN ECN 790358 02 4748			