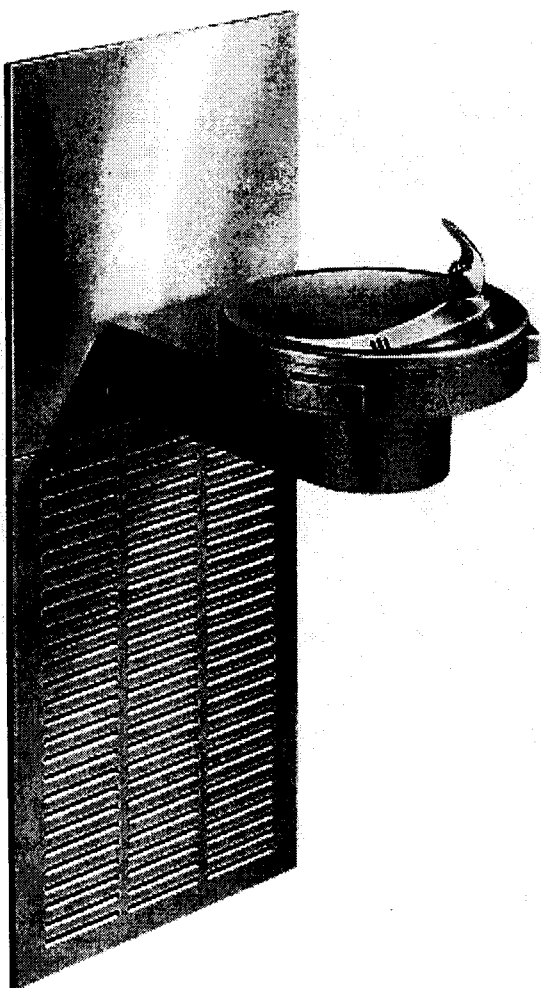




Illustrated Parts Breakdown

Models:

MLFWR, MLF8WR, & MLF8WREE



OASIS Corporation

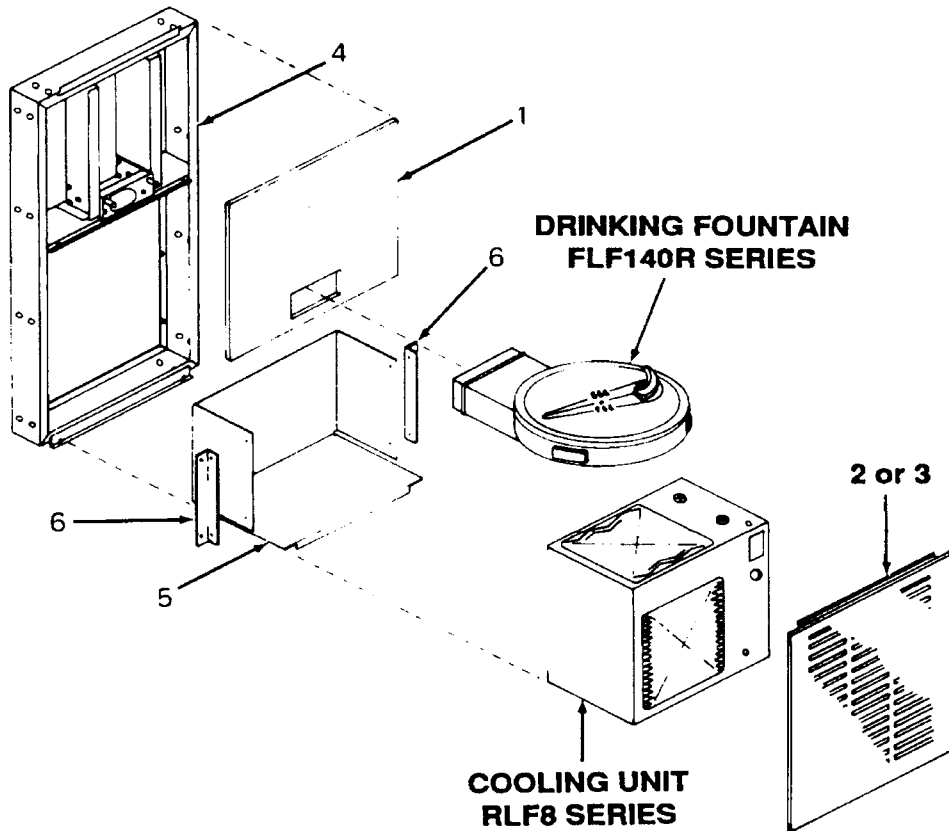
265 N Hamilton Rd • PO Box 13150

Columbus OH 43213

614/861-1350 • 614/861-0231 Fax

OASIS® is a registered trademark of OASIS Corporation
The three palm trees are a trademark of OASIS Corporation

©1999 OASIS Corporation



PARTS LIST

Item#	Description	FLF140R
1	Upper Panel - Stainless Steel.....	027624-001
	Upper Panel - Bronze.....	027624-003
2	Lower Panel, Louvered - Stainless Steel.....	027697-001
	Lower Panel, Louvered - Bronze.....	027697-002
3	Lower Panel (Fountain Only) - Stainless Steel.....	027696-001
	Lower Panel (Fountain Only) - Bronze.....	027696-002
4	Frame Assy.....	027724-001
5	Cradle Assy.....	025733
6	Cradle Mounting Angle.....	026210
Not Shown		
	Cooling Unit.....	Form 2314
	Male Flare Fitting Connector.....	007317-001
	Tube Assy (Chiller to Fountain).....	027823-002
	Drinking Fountain.....	Form 6015-1 & 6015-2
MLF8CREE Parts Not Shown		
	Bowl, Fountain Top EE Stn.....	030085-003
	Sensor.....	028282-001
	Solenoid Valve.....	029819-002
	Tube Assy, Spud & Regulator Complete.....	032025-001