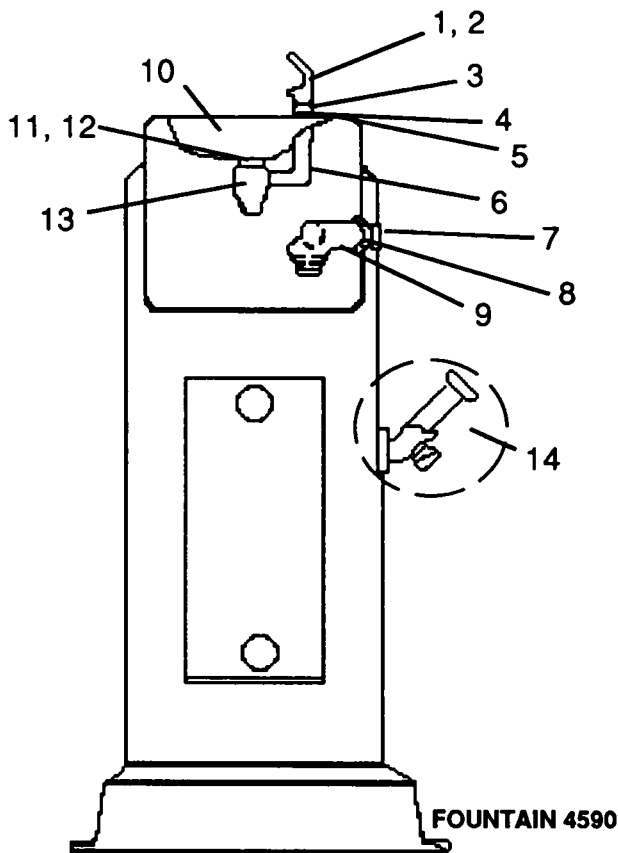
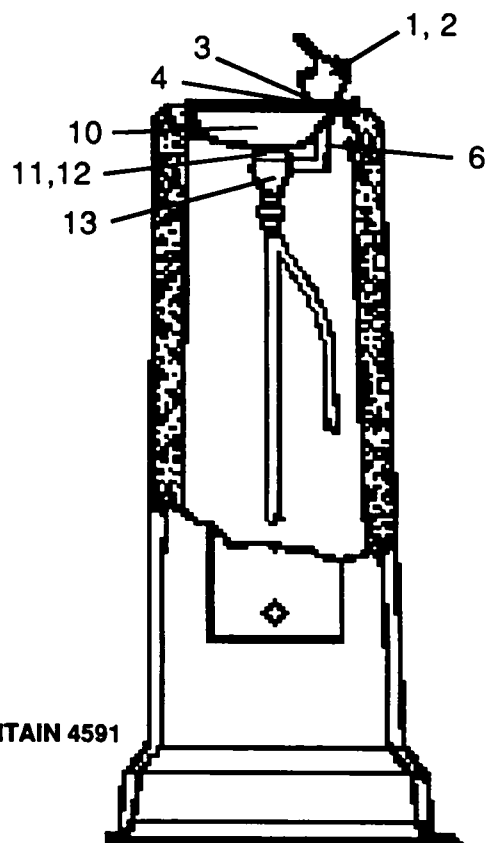


## PEDESTAL FOUNTAINS

### Stone Models 4590 (Barrier-Free) and 4591



FOUNTAIN 4590



FOUNTAIN 4591

#### FOUNTAINS 4590 and 4591 PARTS LIST

REF NO	PART NUMBER	DESCRIPTION		
			4590	4591
1	40-09423-08-640	Vandal Proof Projector	X	
1	10-15594-51-640	Vandal Proof Projector		X
1a	10-14884-51-550	Cartridge Assembly (included in item 1)		X
2	11-05449-42-550	Set Screw (for item 1)	X	
3	10-03227-40-560	Gasket (2 each)	X	X
4	16-06092-08-550	Projector Nipple	X	X
5	10-10474-42-550	Stream Breaker	X	
6	16-07601-08-640	Projector Connection	X	X
7	60-08240-51-640	Push Button Assembly*	X	
8	41-15642-08-640	Locknut	X	
9	60-02596-51-550	Regulator Assembly*	X	
9a	60-08050-51-550	Diaphragm Repair Kit* (for item 9)	X	
10	17-07640-42-830	Receptor	X	X
11	41-02318-08-640	Drain Plate	X	X
12	11-10075-42-590	Screw	X	X
13	16-03154-08-640	Valve Body	X	X
14	73-14808-51-550	Hose Bib Kit	X	

\* Look for detailed schematic of this part in Detailed Parts Section

**To order parts, contact your nearest Halsey Taylor wholesaler or representative.**  
 Continued product improvement makes specifications subject to change without notice.

***Halsey Taylor.***

P.O. BOX 9001  
 OAKBROOK, ILLINOIS 60521