



Illustrated Parts Breakdown

Models: P8AM-E100 & P8AMEE-E100



Specifications

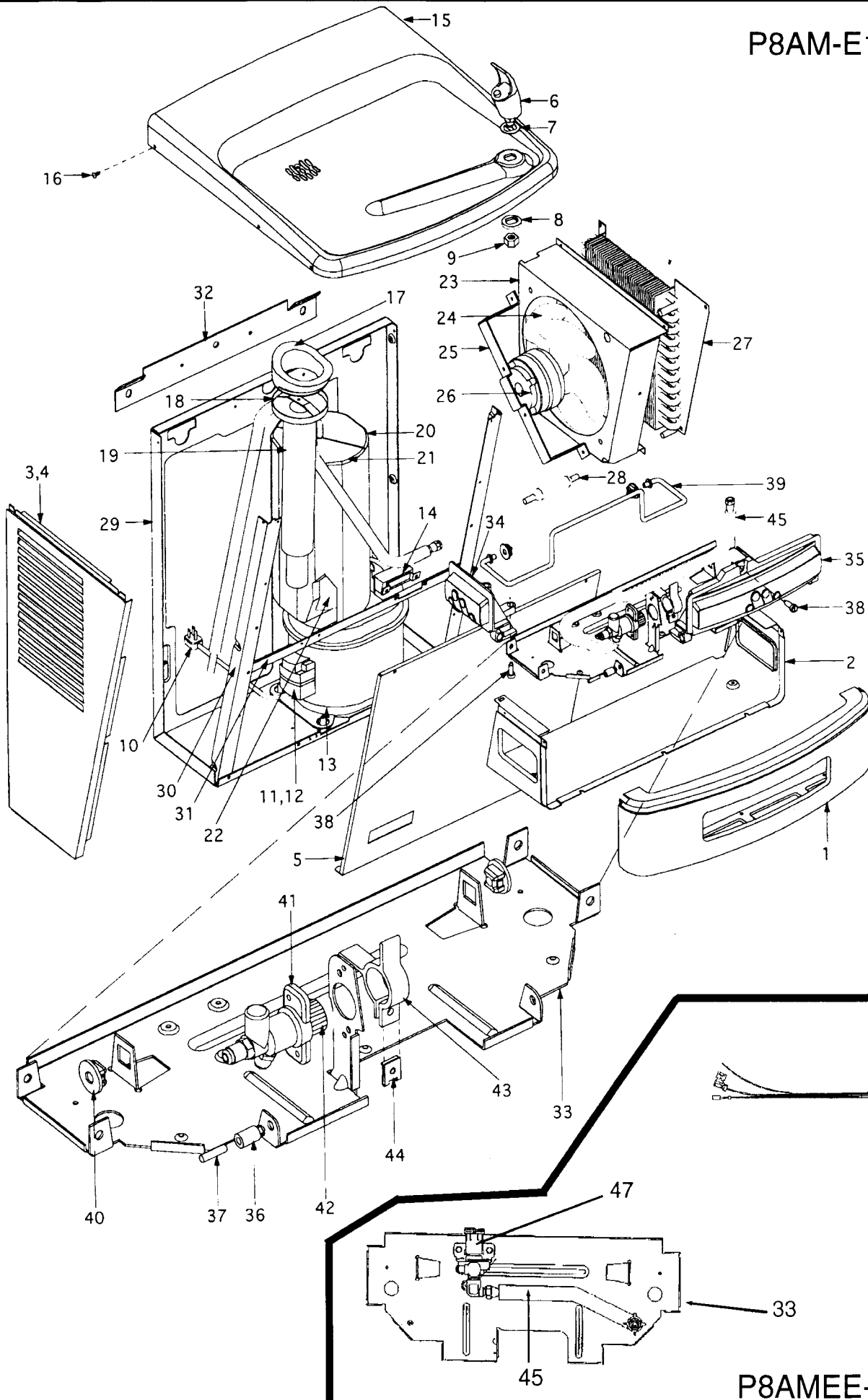
Models : P8AM-E100 & P8AMEE-E100

Voltage 115 VAC \pm 10%/1PH/60Hz
Size (Approx)..... 27" H., 20-1/4" W., 20-1/2" D.
Shipping Weight (Approx)..... 70 lbs.
Cold Water Capacity (GPH)* 8
Compressor (HP) 1/5
Compressor (Amps) (Full Load) 5.0
Refrigerant R-134A
Refrigerant Charge..... 4.5 oz. (110 grams)

* A.R.I. Rating: Room temperature 90° F, supply water temperature 90° F,
drinking water temperature 50° F.

Specifications subject to change without notice.

P8AM-E100

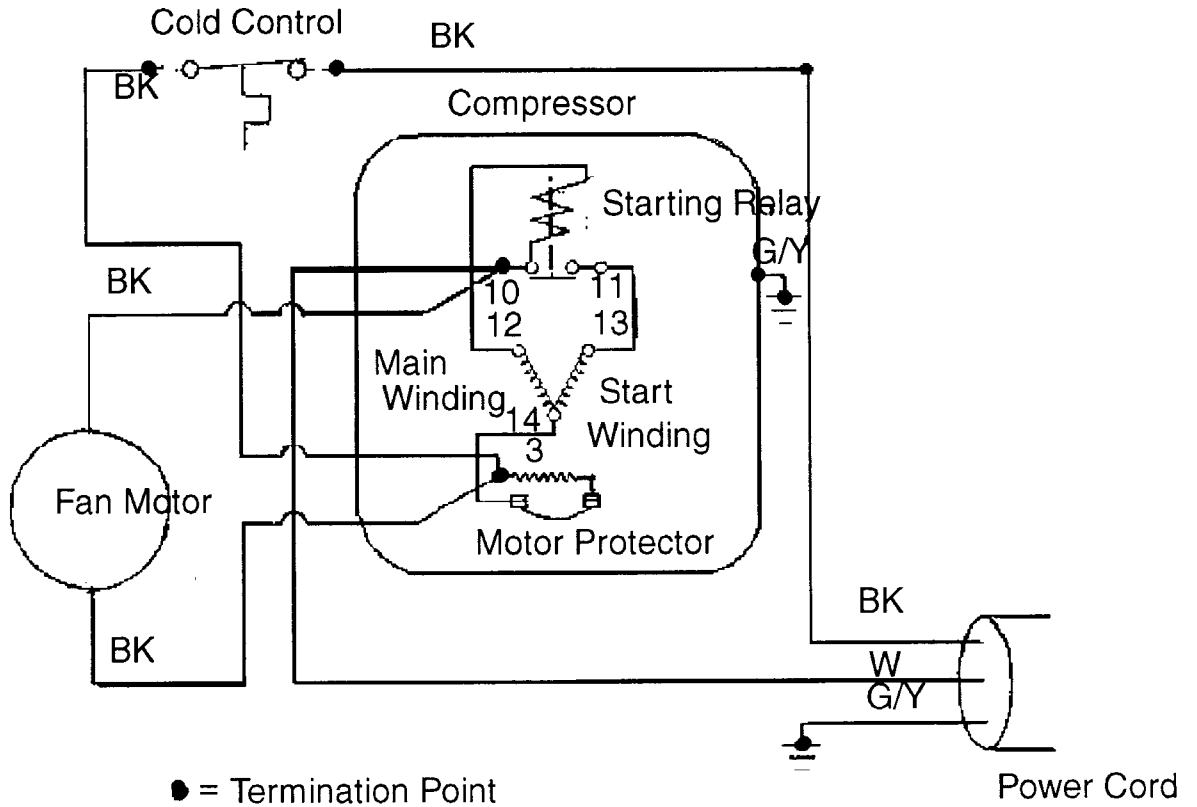


P8AMEE-E100

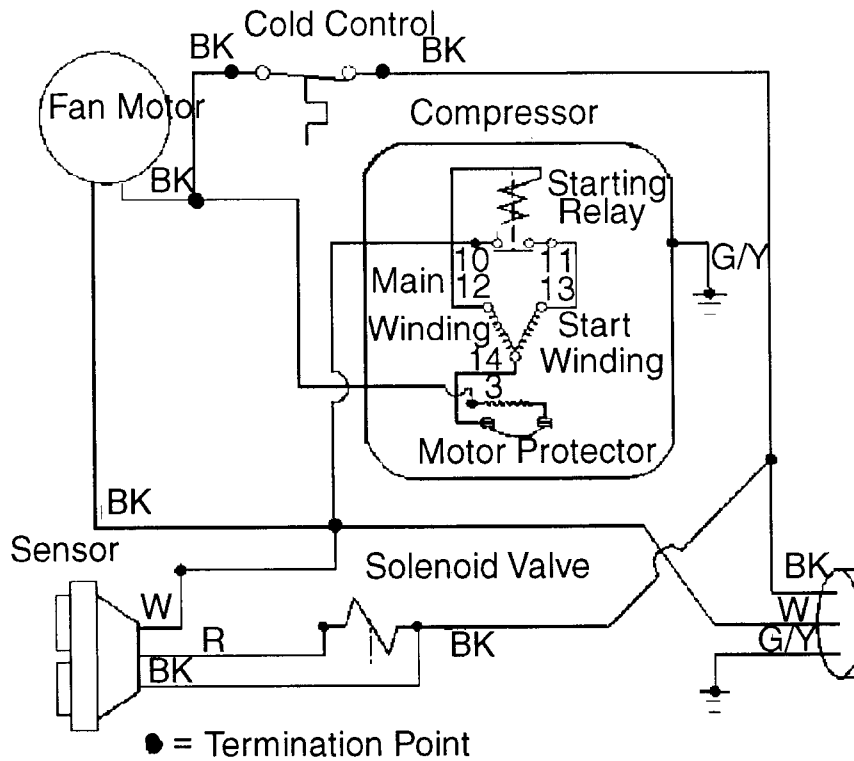
Item#	Description	P8AM-E100	P8AMEE-E100
1	Front Nose, Sandstone.....	031754-006	032269-006
	Front Nose, Greystone.....	031754-005	032269-005
	Front Nose, Stainless Steel.....	031754-007	032269-007
	Front Nose, Painted (Tan).....	031754-008	032269-008
2	Housing, Middle Sandstone.....	031753-002	031753-102
	Housing, Middle Greystone.....	031753-001	031753-101
	Housing, Middle Stainless Steel.....	031753-003	031753-103
	Housing, Middle Painted (Tan).....	031753-005	031753-105
3	Panel, Side Left Sandstone.....	031751-002	031751-002
	Panel, Side Left Greystone.....	031751-001	031751-001
	Panel, Side Left Stainless Steel.....	031751-003	031751-003
	Panel, Side Left Painted (Tan).....	031751-005	031751-005
4	Panel, Side Right Sandstone.....	031750-002	031750-002
	Panel, Side Right Greystone.....	031750-001	031750-001
	Panel, Side Right Stainless Steel.....	031750-003	031750-003
	Panel, Side Right Painted (Tan).....	031750-005	031750-005
5	Panel, Front Sandstone.....	031752-002	031752-002
	Panel, Front Greystone.....	031752-001	031752-001
	Panel, Front Stainless Steel.....	031752-003	031752-003
	Panel, Front Painted (Tan).....	031752-005	031752-005
6	Bubble Valve FlexGuard.....	032799-005	032799-005
	Bubbler Valve Stainless Steel.....	032799-001	032799-001
	Nozzle Assembly.....	030029-005	030029-005
7	Gasket.....	028706-031	028706-031
8	Washer, Undertop.....	028706-030	028706-030
9	Nut.....	026824-019	026824-019
10	Cord Assy, Power Supply.....	026540-040	026540-040
11	Overload.....	031697-019	031697-019
12	Relay.....	033080-005	033080-005
13	Compressor Assy (includes 11&12).....	033079-003	033079-003
14	Cold Control.....	027040-007	027040-007
15	Top.....	031714-001	031714-001
16	Screw, Torx Head.....	031875-005	031875-005
17	Gasket, Waste.....	031756-001	031756-001
18	Waste Assy.....	031892-001	031892-001
19	Insulation, Waste Assy.....	031497-006	031497-006
20	Insulation, Cooling Tank R/H.....	031898-001	031898-001
21	Insulation, Cooling Tank L/H.....	031899-001	031899-001
22	Cooling Tank Assy, Insulated.....	031775-003	031775-003
23	Shroud, Fan.....	031767-001	031767-001
24	Blade, Fan.....	024033	024033
25	Bracket, Fan Motor.....	026969	026969
26	Motor, Fan.....	027354-026	027354-026
27	Condenser.....	031766-001	031766-001
28	Drier, Refrigerant.....	031593-003	031593-003
29	Frame, Back/Bottom.....	031747-001	031747-001
30	Strut, Support.....	031748-001	031748-001
31	Angle, Cross Brace.....	031772-001	031772-001
32	Hanger Bracket.....	031363-002	031363-002
33	Shelf, Activation.....	031853-001	031583-001
34	Push Button Assy, R/H.....	031951-001	N/A
	Push Button Assy, L/H.....	031951-002	N/A
35	Push Button, Front.....	031763-001	N/A
36	Body, Push Rivet.....	031856-001	N/A
37	Rivet, Push.....	031859-001	N/A
38	Screw, Adjust.....	031858-001	N/A
39	Rod, Activation.....	031854-002	N/A
40	Bushing, Rod.....	031857-002	N/A
41	Valve Body.....	032045-002	N/A
42	Stem Assy.....	031759-001	N/A
43	Wheel Arm, Valve.....	031765-001	N/A
44	Clip, U Type.....	030409-002	N/A
45	Tube Assy, Valve to Bubbler.....	031739-002	032688-001
46	Sensor.....	N/A	028282-001
47	Solenoid Valve.....	N/A	029819-001
Not Shown			
	Heat Exchanger Assy.....	031869-002	031869-002
	Sensor Bracket.....	N/A	032683-001

ELECTRICAL DIAGRAM

P8AM-E100



P8AMEE-E100



OASIS CORPORATION

265 N. Hamilton Rd P.O. Box 13150 Columbus, OH 43213-0150
614/861-1350 • Fax (614) 861-5017

© 1998 Oasis Corporation