



**AQUARIUS**

*Kelvinator*

White-Westinghouse®

# ILLUSTRATED PARTS BREAKDOWN

## WATER COOLER MODELS:

**RLF3-100**

**RLF3Y-D100**

**RLF5-100**

**RLF5X-100**

## SPECIFICATIONS

### Model RLF3

Voltage	115 VAC ±10%/1PH/60 Hertz
Size	16" H., 17" W., 9" D.
Shipping Weight (Approx)	47 LBS.
Cold Water Capacity*	3 GPH
Compressor	1/6 HP
Compressor (Full Load)	4.0 Amps
Refrigerant Charge 134A	3-3/4 OZ. (106 GRAMS)

### Model RLF5

Voltage	115 VAC ±10%/1PH/60 Hertz
Size	16" H., 17" W., 9" D.
Shipping Weight (Approx)	50 LBS.
Cold Water Capacity*	5 GPH
Compressor	1/5 HP
Compressor (Full Load)	5.0 Amps
Refrigerant Charge 134A	3-3/4 OZ. (106 GRAMS)

### Model RLF3Y-D

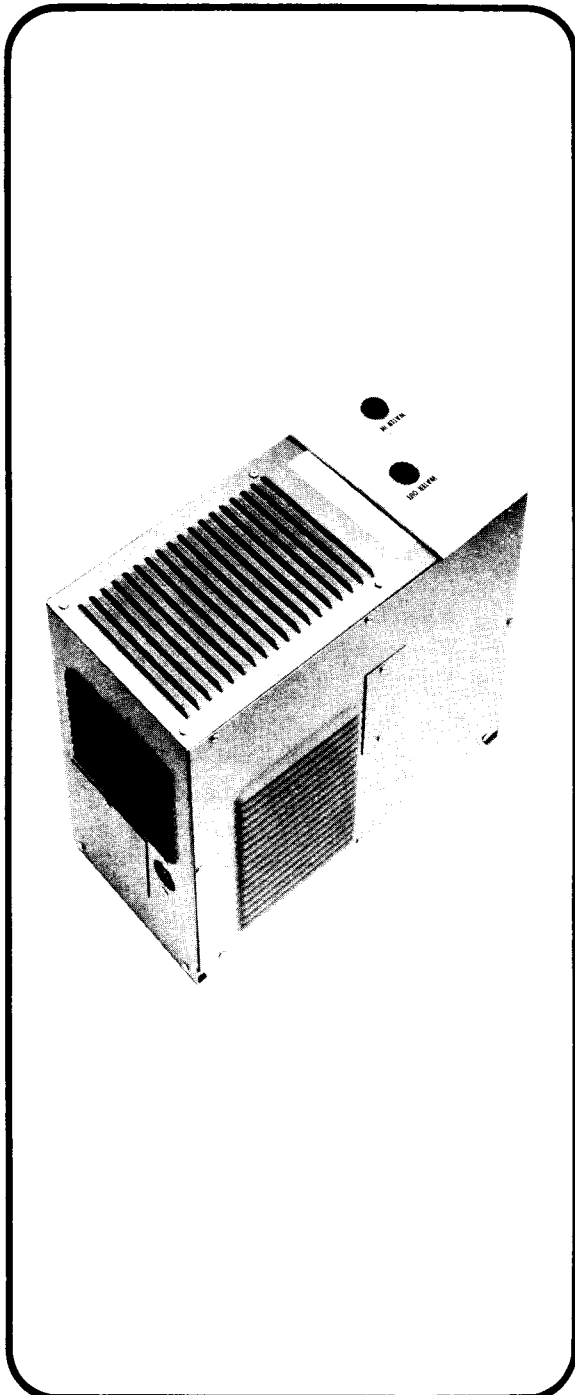
Voltage	220-240 VAC ±10%/1PH/50-60 Hertz
Size	16" H., 17" W., 9" D.
Shipping Weight (Approx)	47 LBS.
Cold Water Capacity*	3 GPH
Compressor	1/8 HP
Compressor (Full Load)	1.2 Amps
Refrigerant Charge 134A	3-3/4 OZ. (106 GRAMS)

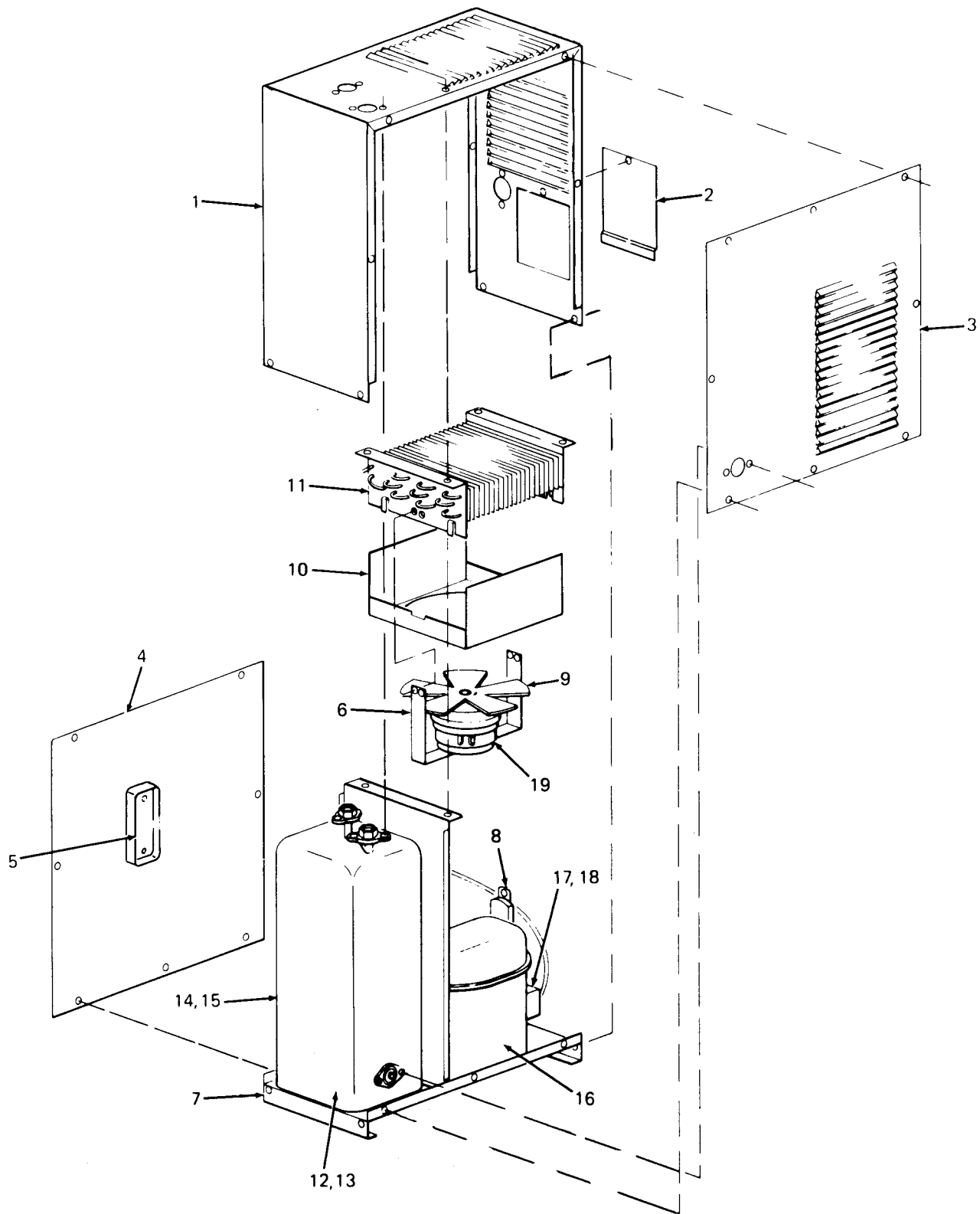
### Model RLF5X

Voltage	220-240 VAC ±10%/1PH/50 Hertz
Size	16" H., 17" W., 9" D.
Shipping Weight (Approx)	50 LBS.
Cold Water Capacity*	5 GPH
Compressor	1/5 HP
Compressor (Full Load)	2.6 Amps
Refrigerant Charge 134A	3-1/2 OZ. (99 GRAMS)

\* A.R.I. Rating: Room Temperature 90°F; Supply Water Temperature 80°F; Drinking Water Temperature 50°F.

Specifications subject to change without notice.





## PARTS LIST

ITEM NO.	DESCRIPTION	RLF3	RLF3Y-D	RLF5 RLF5X
1	Cabinet Wrapper .....	020249	020249	020249
2	Access Door .....	020262	020262	020262
3	Front Panel .....	020246	020246	020246
4	Rear Panel .....	029817-001	029817-001	029817-001
5	Utility Box .....	020305-002	020305-002	020305-002
6	Fan Motor Bracket .....	020242	020242	020242
7	Base Assembly .....	030054-001	030054-001	030054-001
8	Cold Control .....	027040-007	027040-007	027040-007
9	Fan Blade .....	020243	020243	020243
10	Fan Shroud .....	029232-001	029232-001	029232-001
11	Condenser .....	029233-002	029233-002	029233-002
12	Insulated Cooling Tank Assembly .....	020264	020264	032004-001
13A	Heat Exchanger Assembly (Needed With Cooling Tank)	031997-001	031997-002	---
13B	Heat Exchanger Assembly .....	---	---	032006-001
14	Cooling Tank Insulation, LH .....	020318	020318	028661-001
15	Cooling Tank Insulation, RH .....	020317	020317	028660-001
<b>NOT SHOWN</b>				
	Refrigerant Drier .....	031593-003	031593-003	031593-003

### COMPRESSORS AND FAN MOTORS

#### USED ON MODEL RLF3

16	*Compressor .....	031525-001
17	Relay .....	031698-002
18	Overload .....	031697-002
19	Fan Motor .....	027354-027

#### USED ON MODEL RLF5

16	*Compressor .....	031525-002
17	Relay .....	031698-003
18	Overload .....	031697-002
19	Fan Motor .....	027354-027

#### USED ON MODEL RLF3Y-D

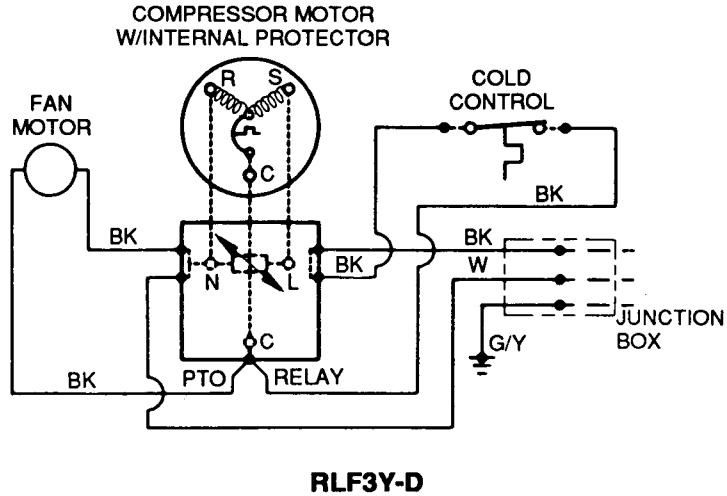
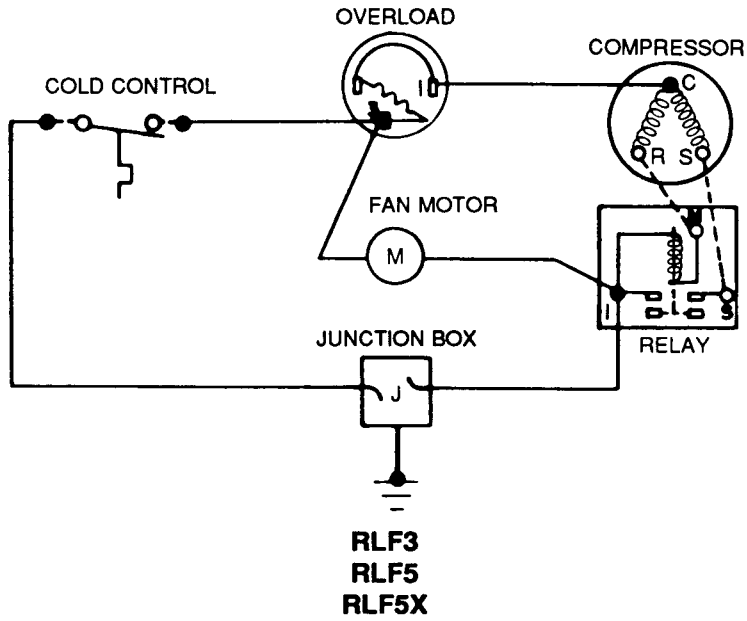
16	*Compressor .....	031530-005
17	Relay .....	026309
18	Overload .....	Internal
19	Fan Motor .....	027354-028

#### USED ON MODEL RLF5X

16	*Compressor .....	031525-010
17	Relay .....	031698-009
18	Overload .....	031697-009
19	Fan Motor .....	027354-018

\*NOTE: Compressors include relay and overload.

# ELECTRICAL DIAGRAM



OASIS® & AQUARIUS® are registered trademarks of EBCO Manufacturing Company  
 The trademarks Keivinator® and White-Westinghouse® are used under license from White Consolidated Industries, Inc.

**EBCO**® **MANUFACTURING COMPANY**

265 N. Hamilton Rd. • P.O. Box 13150 • Columbus, OH 43213-0150 • 614/861-1350 • Fax: 614/861-5017

Printed in U.S.A.  
 Copyright 1994 EBCO Manufacturing Co.