



AQUARIUS

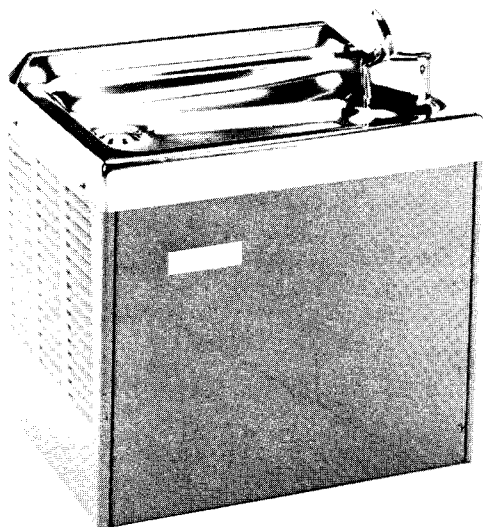
Kelvinator

White-Westinghouse®

ILLUSTRATED PARTS BREAKDOWN

WATER COOLER MODELS:

PLF1CM-100 PLF1CM-D100 PLF1CMY-D100



SPECIFICATIONS

Models PLF1CM & PLF1CM-D

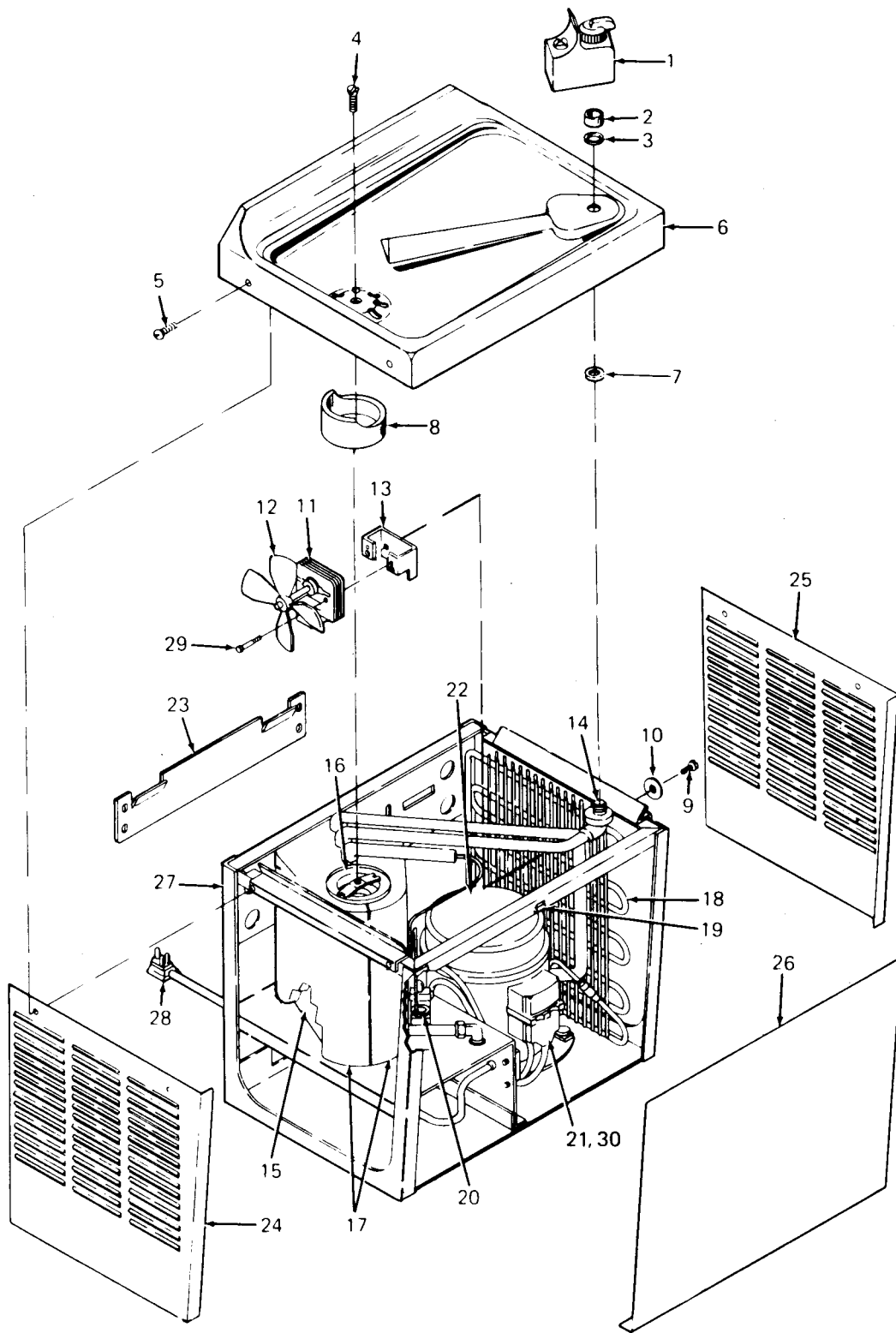
Voltage	115 VAC ±10%/1PH/60 Hertz
Size	16" H., 17" W., 13" D.
Shipping Weight (Approx)	42 LBS.
Cold Water Capacity*	1 GPH
Compressor - All Models	1/20 HP
Compressor (Full Load) (PLF1CM)	1.2 Amps
Compressor (Full Load) (PLF1CM-D)	1.5 Amps
Refrigerant	134A
Refrigerant Charge	1-7/8 OZ. (53 GRAMS)

Model PLF1CMY-D

Voltage	220-240 VAC, 50/60 Hertz
Size	16" H., 17" W., 13" D.
Shipping Weight (Approx)	42 LBS.
Cold Water Capacity*	1 GPH
Compressor	1/20 HP
Compressor (Full Load) (220 Volt)	1.0 Amps
Refrigerant	134A
Refrigerant Charge	1-7/8 OZ. (53 GRAMS)

*A.R.I. Rating: Room Temperature 90°F; Supply Water Temperature 80°F; Drinking Water Temperature 50°F.

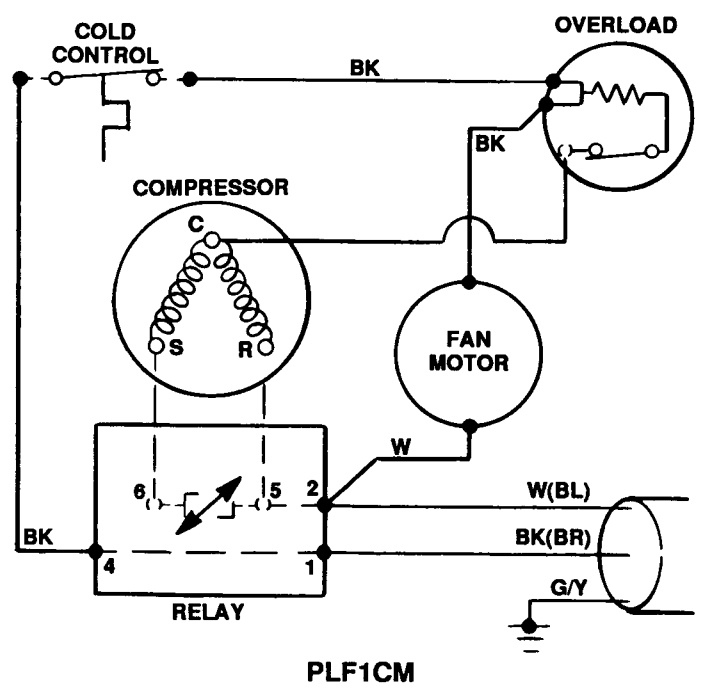
Specifications subject to change without notice.



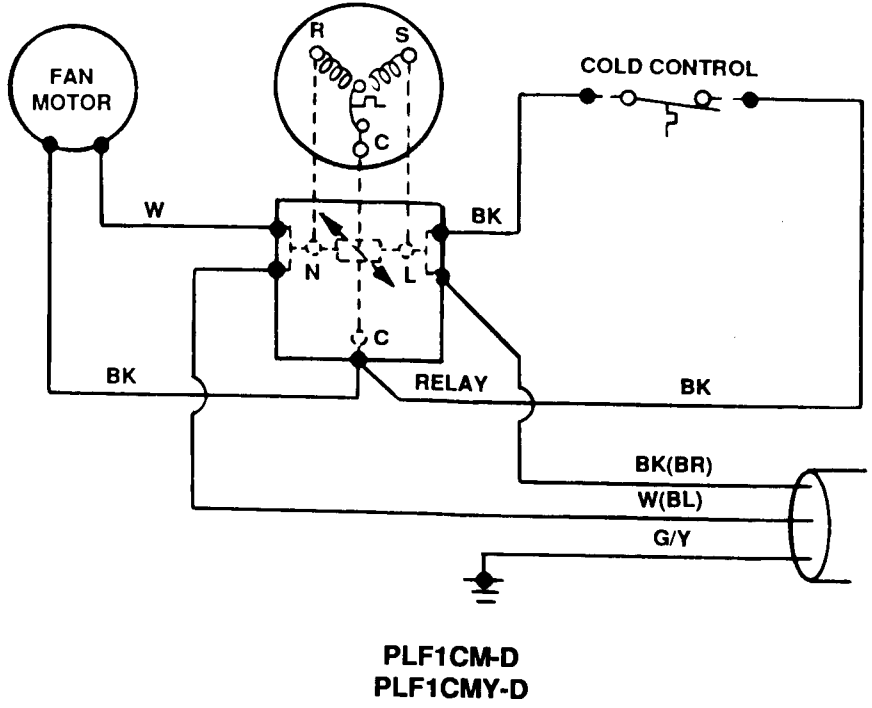
PARTS LIST

ITEM NO.	DESCRIPTION	PLF1CM	PLF1CM-D	PLF1CMY-D
1	12000A Bubbler Valve	030774-002	030774-002	030774-002
2	Valve Body Gasket	028706-006	028706-006	028706-006
3	Friction Washer	028706-013	028706-013	028706-013
4	Drain Screw	026655-002	026655-002	026655-002
5	Top Screw	026630-005	026630-005	026630-005
6	Top	028846-003	028846-003	028846-003
7	Gasket (Under Top)	028706-001	028706-001	028706-001
8	Waste Gasket	018050	018050	018050
9	Screw (For Fan Motor Bracket)	026642-005	026642-005	026642-005
10	Washer (For Fan Motor Bracket)	014632	014632	014632
11	Fan Motor	017079	017079	024938
12	Fan Blade	026857	026857	026857
13	Fan Motor Bracket	017443	017443	017443
14	Bubbler Supply Spud	029177-001	029177-001	029177-001
15	Insulated Cooling Tank Assembly	031939-001	031939-001	031939-001
16	Waste Assembly	019988	019988	019988
17	Cooling Tank Insulation - L.H.	019990L	019990L	019990L
	Cooling Tank Insulation - R.H.	019990R	019990R	019990R
18	Condenser	026858	026858	026858
19	Panel Clip	018156-001	018156-001	018156-001
20	Cold Control	027040-007	027040-007	027040-005
21	Relay	025817-004	026867	026309
22	Compressor (Includes Item 21)	030972-002	031530-001	031530-004
23	Hanger Bracket and Barrier Assembly	025662-002	025662-002	025662-002
24	Left Side Panel - Painted - Tan	026935-003	026935-003	026935-003
	Left Side Panel - Stainless Steel	026935-027	026935-027	026935-027
25	Right Side Panel - Painted - Tan	026935-004	026935-004	026935-004
	Right Side Panel - Stainless Steel	026935-028	026935-028	025935-028
26	Front Panel - Painted - Tan	026925-001	026925-001	026925-001
	Front Panel - Stainless Steel	026925-014	026925-014	026925-014
27	Frame	029420-001	029420-001	029420-001
28	Service Cord	026540-013	026540-013	028625-002
29	Screw	026630-009	026630-009	026630-009
30	Overload	028707-003	---	---
NOT SHOWN				
	Refrigerant Drier	031593-001	031593-001	031593-001

ELECTRICAL DIAGRAM



COMPRESSOR MOTOR
W/INTERNAL PROTECTOR



OASIS® & AQUARIUS® are registered trademarks of EBCO Manufacturing Company
 The trademarks Kelvinator® and White-Westinghouse® are used under license from White Consolidated Industries, Inc.

EBCO® MANUFACTURING COMPANY
 265 N. Hamilton Rd. • P.O. Box 13150 • Columbus, OH 43213-0150 • 614/861-1350 • Fax: 614/861-5017

Printed in U.S.A.
 Copyright 1994 EBCO Manufacturing Co.