



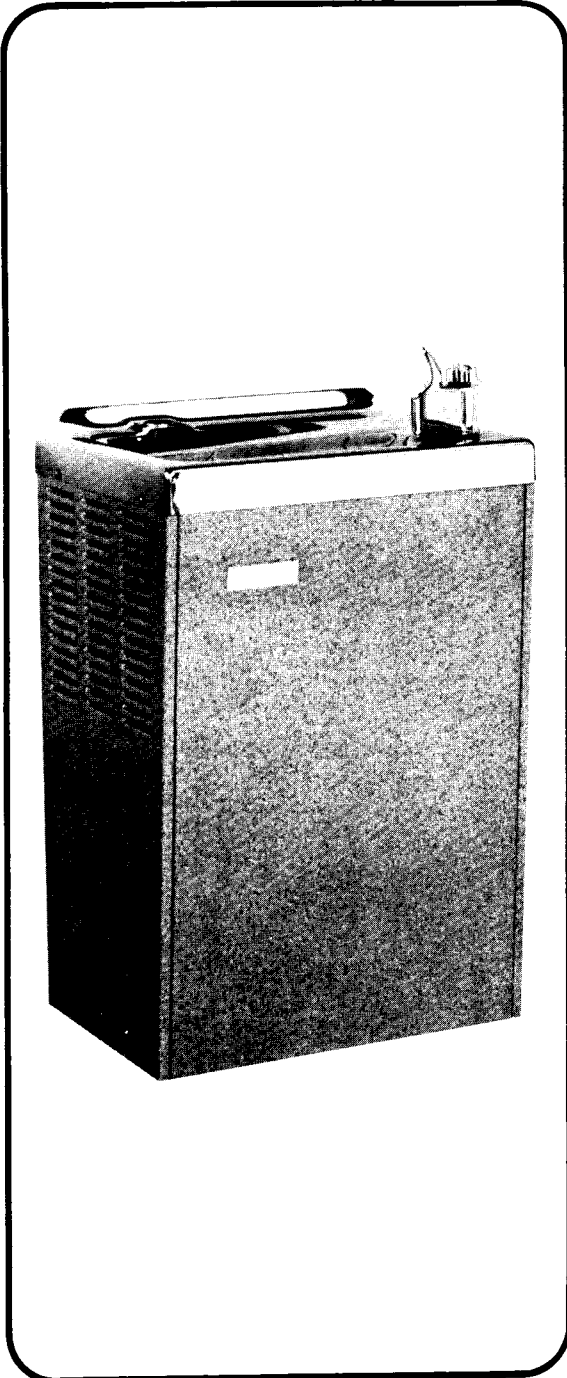
AQUARIUS
®

Kelvinator®

White-Westinghouse®

ILLUSTRATED PARTS BREAKDOWN

**WATER COOLER MODELS:
PLF5M-100 PLF5M-D100**



SPECIFICATIONS

PLF5M

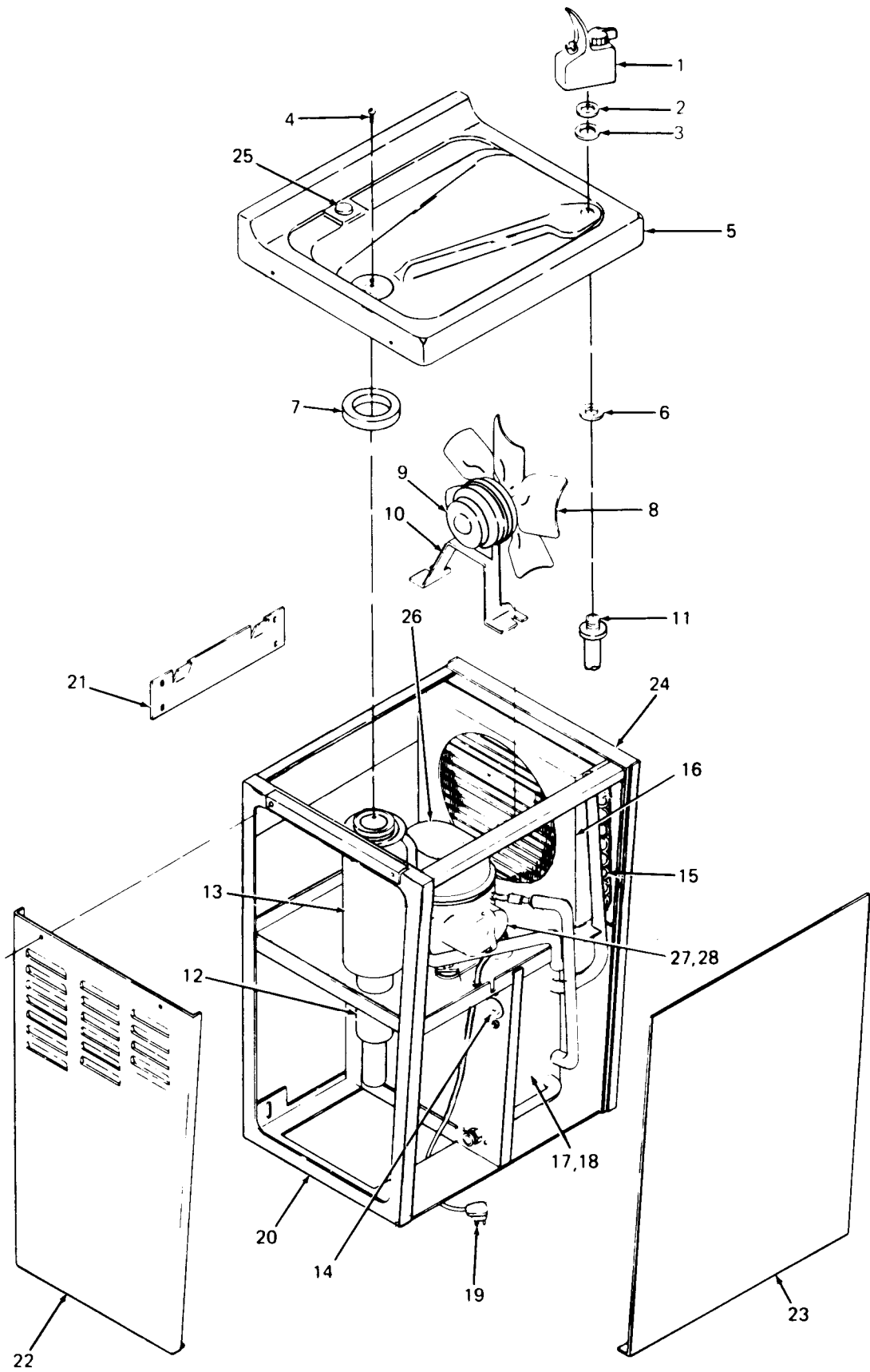
Voltage	115 VAC ±10%/1PH/60 Hertz
Size (Approx)	26" H., 17" W., 13" D.
Shipping Weight (Approx)	60 LBS.
Cold Water Capacity (GPH)	5
Compressor (HP)	1/12
Compressor Amps (Full Load)	2.0
Refrigerant	134A
Refrigerant Charge	3-7/16 OZ. (97 GRAMS)

PLF5M-D

Voltage	115 VAC ±10%/1PH/60 Hertz
Size (Approx)	26" H., 17" W., 13" D.
Shipping Weight (Approx)	60 LBS.
Cold Water Capacity (GPH)	5
Compressor (HP)	1/10
Compressor Amps (Full Load)	2.0
Refrigerant	134A
Refrigerant Charge	3-7/16 OZ. (97 GRAMS)

*A.R.I. Rating: Room Temperature 90°F; Supply Water Temperature 80°F; Drinking Water Temperature 50°F.

Specifications subject to change without notice.



PARTS LIST

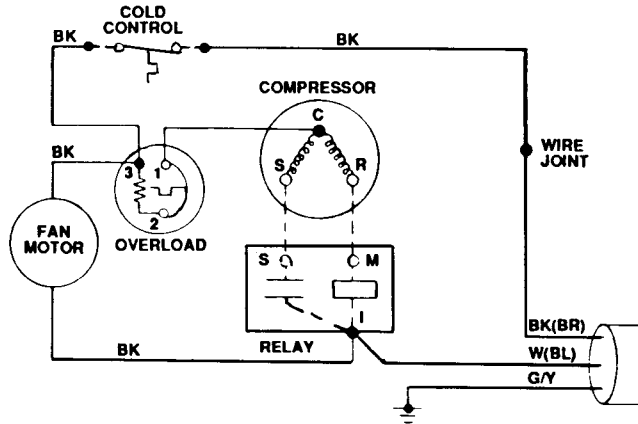
ITEM NO.	DESCRIPTION	PLF5M	PLF5M-D
1	12000A Bubbler Valve	030774-002	030774-002
2	Valve Body Gasket	028706-006	028706-006
3	Friction Washer	028706-013	028706-013
4	Drain Screw	026655-002	026655-002
5	Top	028965-005	028965-005
6	Bubbler Spud Gasket	028706-001	028706-001
7	Waste Gasket	018050	018050
8	Fan Blade	019199	019199
9	Fan Motor Assembly	027354-020	027354-029
10	Fan Motor Bracket	018559	018559
11	Bubbler Supply Spud	028701-001	028701-001
12	Uninsulated Precooler Assembly	025198-002	025198-002
13	Precooler Insulation	018059-010	018059-010
14	Cold Control	027040-007	027040-007
15	Condenser	027297-002	027297-002
16	Condenser Shroud	018955	018955
17	Insulated Cooling Tank Assembly	031292-004	031292-004
18	Cooling Tank Insulation	028230-002	028230-002
19	Service Cord	026540-021	026540-013
20	Frame Assembly	028983-001	028983-001
21	Hanger Bracket and Barrier Assembly	025662-001	025662-001
22	Left Side Panel – Stainless Steel	018939L	018939L
	Left Side Panel – Sandstone	018937-003	018937-003
23	Front Panel – Stainless Steel	019646	019646
	Front Panel – Sandstone	019644-002	019644-002
24	Right Side Panel – Stainless Steel	018939R	018939R
	Right Side Panel – Sandstone	018937-004	018937-004
25	Hole Cover	016994	016994
NOT SHOWN			
	Glass Filler Installation Kit	031507-001	031507-001
	Refrigerant Drier	031593-003	031593-003

COMPRESSORS

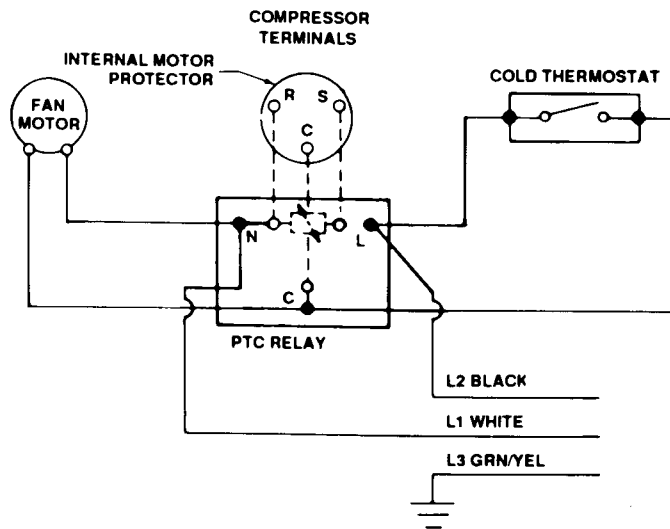
TECUMSEH PLF5M		DANFOSS PLF5M-D	
26	*Compressor Assembly 030972-005	26	*Compressor Assembly 031530-002
27	Relay	27	Relay
	031698-008		026867
28	Overload	28	Overload
	031697-012		---

*NOTE: Compressors include relay and overload.

ELECTRICAL DIAGRAM



PLF5M



PLF5M-D

OASIS® & AQUARIUS® are registered trademarks of EBCO Manufacturing Company
 The trademarks Kelvinator® and White-Westinghouse® are used under license from White Consolidated Industries, Inc.

EBCO® MANUFACTURING COMPANY

265 N. Hamilton Rd. • P.O. Box 13150 • Columbus, OH 43213-0150 • 614/861-1350 • Fax: 614/861-5017

Printed in U.S.A.
 Copyright 1994 EBCO Manufacturing Co.