



**AQUARIUS**  
WAVES

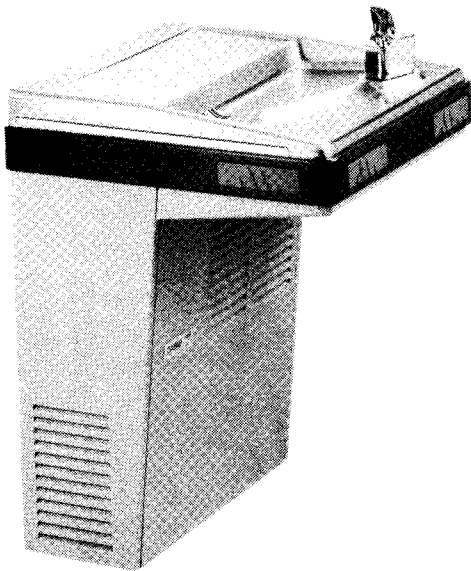
*Kelvinator*

White-Westinghouse®

# ILLUSTRATED PARTS BREAKDOWN

**WATER COOLER MODELS:**

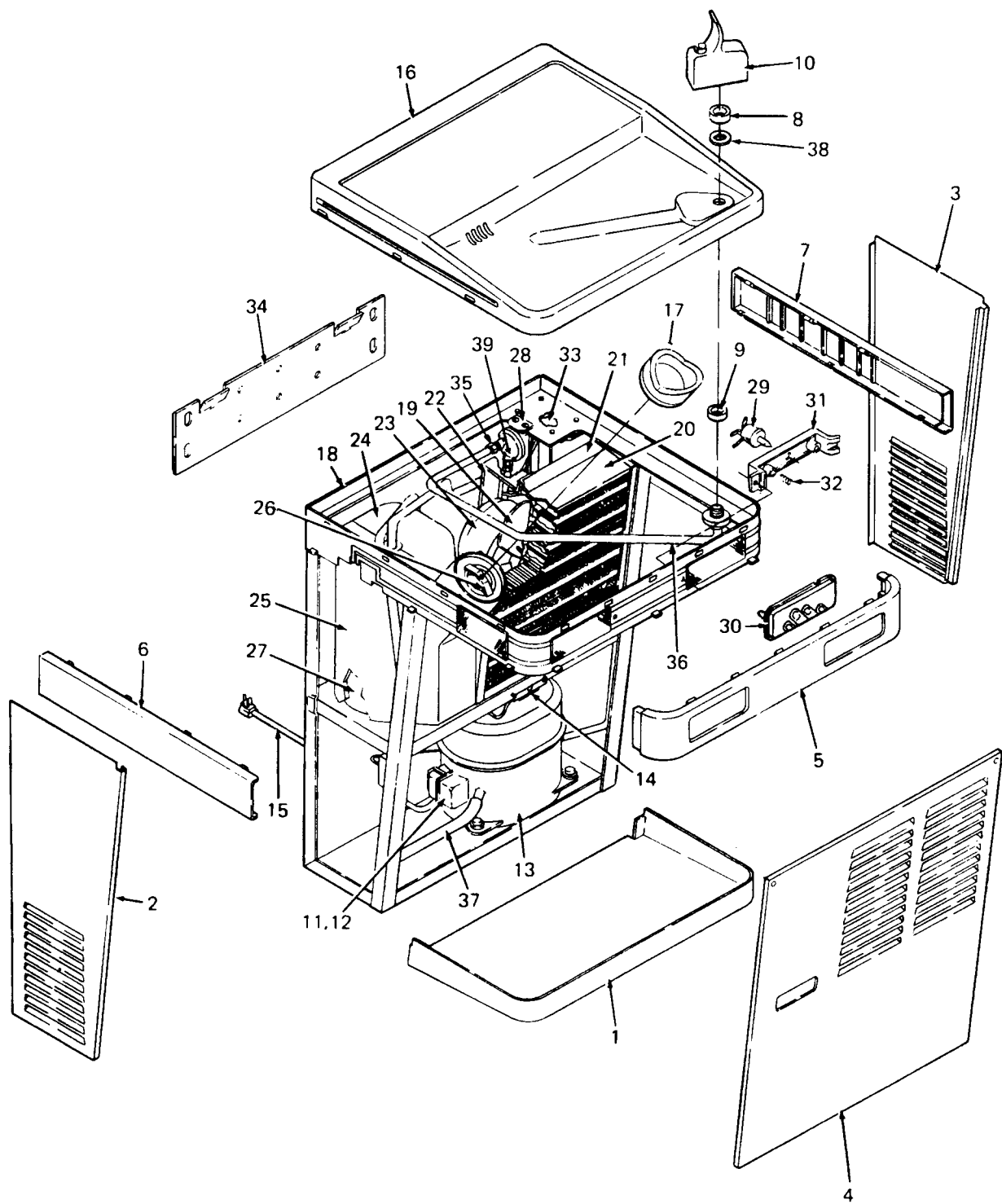
**PLF8WMD-002    PLF8WMQ-002    PLF8WMQA-003**



## SPECIFICATIONS

Voltage	115 VAC ± 10%/1PH/60 Hertz
Size	25" H., 18" W., 19" D.
Shipping Weight (Approx)	60 LBS.
Cold Water Capacity	7.8 GPH
Compressor	1/5 HP
Refrigerant	R-500
Refrigerant Charge	4 OZ.
Compressor (Full Load)	6 Amps

Specifications subject to change without notice.



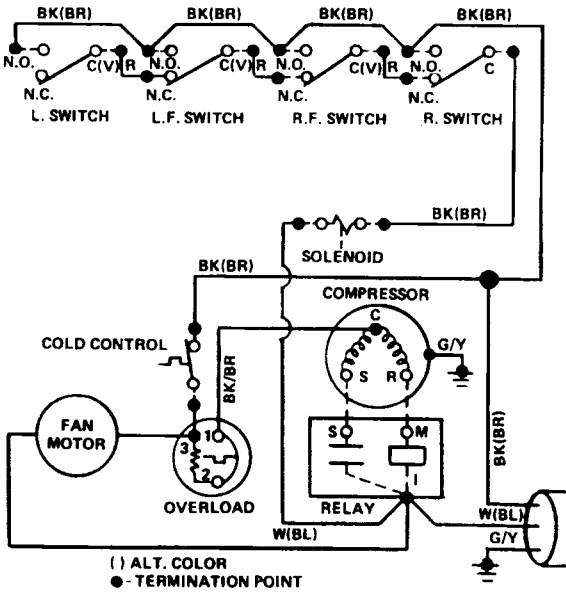
## PARTS LIST

ITEM NO.	DESCRIPTION	PLF8WMD-002	PLF8WMQ-002 PLF8WMQA-003
1	Front Housing – Sandstone .....	026780-002	026780-002
	Front Housing – Stainless Steel .....	026780-004	026780-004
	Front Housing – Tan .....	026780-005	026780-005
2	Left Side Panel – Sandstone .....	026798-003	026798-003
	Left Side Panel – Stainless Steel .....	026798-007	026798-007
	Left Side Panel – Tan .....	026798-009	026798-009
3	Right Side Panel – Sandstone .....	026798-004	026798-004
	Right Side Panel – Stainless Steel .....	026798-008	026798-008
	Right Side Panel – Tan .....	026798-010	026798-010
4	Front Panel – Sandstone .....	026802-002	026802-002
	Front Panel – Stainless Steel .....	026802-004	026802-004
	Front Panel – Tan .....	026802-005	026802-005
5	Front Bezel .....	026869-001 OPEN	026869-001 OPEN
6	Left Side Bezel .....	026886-003 CLOSED	026886-001 OPEN
7	Right Side Bezel .....	026886-004 CLOSED	026886-002 OPEN
8	Valve Body Gasket .....	028706-006	028706-006
9	Washer (Under Top) .....	028706-001	028706-001
10	Bubbler Valve Assembly .....	030774-004	030774-004
11	Overload .....	017977	017977
12	Relay .....	017978	017978
13	Compressor .....	027256-002	027256-002
14	Cold Control .....	027040-007	027040-007
15	Service Cord .....	026540-004	026540-004
16	Top .....	028835-001	028835-001
17	Waste Gasket .....	027205	027205
18	Frame Assembly .....	026976-003	026976-003
19	Fan Blade .....	024033	024033
20	Condenser .....	026967	026967
21	Fan Shroud .....	026968	026968
22	Fan Motor Bracket .....	026969	026969
23	Fan Motor Assembly .....	027354-009	027354-009
24	Cooling Tank Insulation (RH) .....	028660-001	028660-001
25	Cooling Tank Insulation (LH) .....	028661-001	028661-001
26	Waste Assembly .....	026981-001	026981-001
27	Cooling Tank Assembly (Insulated) .....	031045-001	031045-001
28	Solenoid Valve .....	031011-001	031011-001
29	Switch .....	028591-001	028591-001
30	Switch Pad .....	028587-001	028587-001
31	Switch Bracket .....	028588-001	028588-001
32	Compression Spring .....	027638-005	027638-005
33	Timer (QA models) .....	---	030973-001
34	Hanger Bracket .....	016698-002	016698-002
35	Connector Fitting .....	023834-002	023834-002
36	Tube Assembly Sol to Blb .....	031035-001	031035-001
37	Heat Exchanger .....	028785-001	028785-001
38	Friction Washer .....	028706-013	028706-013
39	Male Fitting w/Gasket –GHT X 1/4 NPT .....	031033-001	031033-001

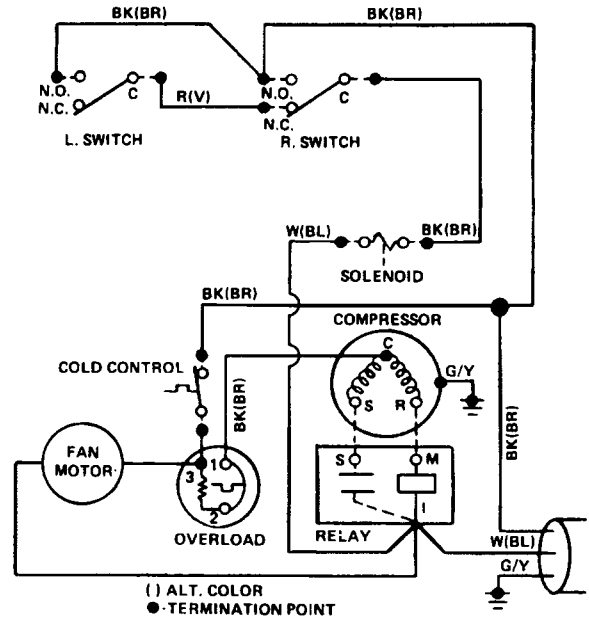
**NOT SHOWN**

Male Fitting Gasket .....	028706-024	028706-024
---------------------------	------------	------------

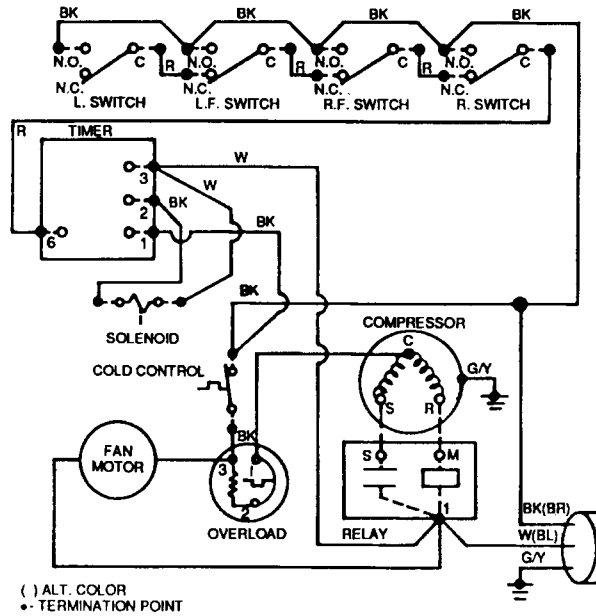
# ELECTRICAL DIAGRAM



**PLF8WMQ-002**



**PLF8WMD-002**



**PLF8WMQA-003**

OASIS® & AQUARIUS® are registered trademarks of EBCO Manufacturing Company  
The trademarks Kalvinator® and White-Westinghouse® are used under license from White Consolidated Industries, Inc.

**EBCO**® **MANUFACTURING COMPANY**

265 N. Hamilton Rd. • P.O. Box 13150 • Columbus, OH 43213-0150 • 614/861-1350 • Fax: 614/861-5017

Copyright 1993 EBCO Manufacturing Co.