



AQUARIUS

Kelvinator[®]

White-Westinghouse[®]

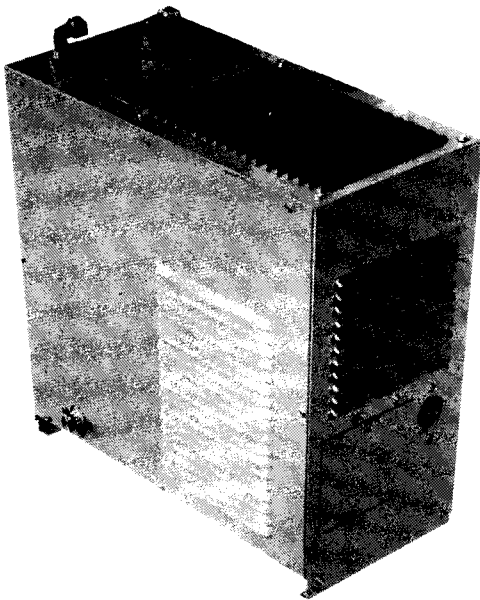
ILLUSTRATED PARTS BREAKDOWN

WATER COOLER MODELS:

DP3P-001
DP5P-002

RLF3
RLF5

RLF3Y-D
RLF5X



SPECIFICATIONS

Models DP3P and RLF3

Voltage	115 VAC ±10%/1PH/60 Hertz
Size	16" H., 17" W., 9" D.
Shipping Weight (Approx)	47 LBS.
Cold Water Capacity*	3 GPH
Compressor	1/6 HP
Compressor (Full Load)	4.0 Amps
Refrigerant Charge R-12	4.0 OZ.

Models DP5P and RLF5

Voltage	115 VAC ±10%/1PH/60 Hertz
Size	16" H., 17" W., 9" D.
Shipping Weight (Approx)	50 LBS.
Cold Water Capacity*	5 GPH
Compressor	1/5 HP
Compressor (Full Load)	5.0 Amps
Refrigerant Charge R-12	3-1/8 OZ.

Model RLF3Y-D

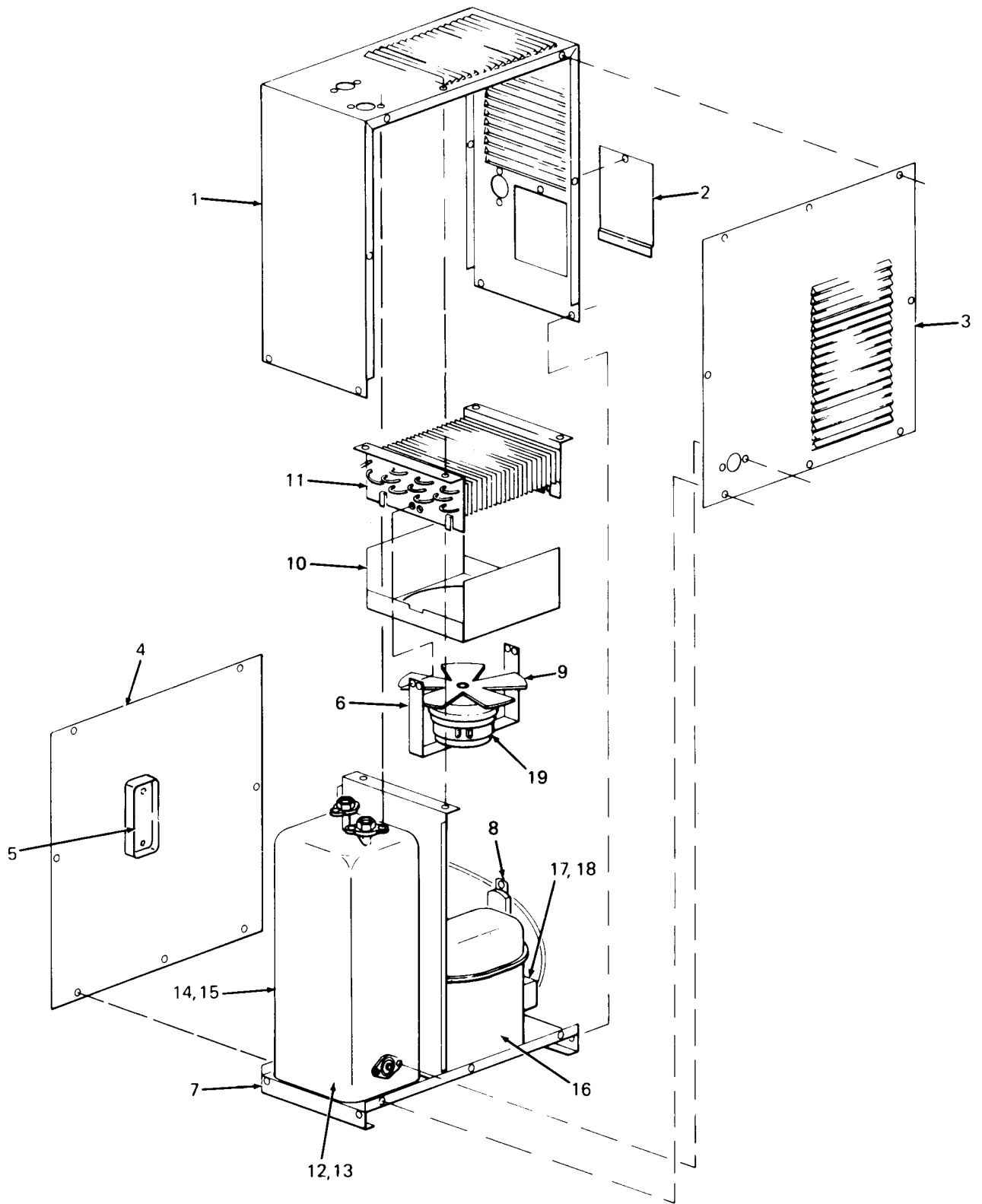
Voltage	220-240 VAC ±10%/1PH/50/60 Hertz
Size	16" H., 17" W., 9" D.
Shipping Weight (Approx)	47 LBS.
Cold Water Capacity*	3 GPH
Compressor	1/8 HP
Compressor (Full Load)	1.2 Amps
Refrigerant Charge R-12	4.0 OZ.

Model RLF5X

Voltage	220-240 VAC ±10%/1PH/50 Hertz
Size	16" H., 17" W., 9" D.
Shipping Weight (Approx)	50 LBS.
Cold Water Capacity*	5 GPH
Compressor	1/4 HP
Compressor (Full Load)	2.6 Amps
Refrigerant Charge R-12	3-1/8 OZ.

*A.R.I. Rating: Room Temperature 90°F; Supply Water Temperature 80°F; Drinking Water Temperature 50°F.

Specifications subject to change without notice.



PARTS LIST

ITEM NO.	DESCRIPTION	DP3P-001 RLF3 RLF3Y-D	DP5P-002 RLF5 RLF5X
1	Cabinet Wrapper	020249	020249
2	Access Door	020262	020262
3	Front Panel	020246	020246
4	Rear Panel	029817-001	029817-001
5	Utility Box	020305-002	020305-002
6	Fan Motor Bracket	020242	020242
7	Base Assembly	030054-001	030054-001
8	Cold Control	027040-007	027040-007
9	Fan Blade	020243	020243
10	Fan Shroud	029232-001	029232-001
11	Condenser	029233-001	029233-001
12	Cooling Tank Assembly	020264	020264
13	Heat Exchanger Assembly (Needed With Cooling Tank)	029799-001	029799-002
14	Cooling Tank Insulation, LH	020318	020318
15	Cooling Tank Insulation, RH	020317	020317

COMPRESSORS AND FAN MOTORS

USED ON MODELS DP3P-001 AND RLF3

16	*Compressor	017287
17	Relay	017289
18	Overload	017290
19	Fan Motor	027354-008

USED ON MODELS DP5P-002 AND RLF5

16	*Compressor	027256-002
17	Relay	017987
18	Overload	017977
19	Fan Motor	027354-008

USED ON MODEL RLF3Y-D

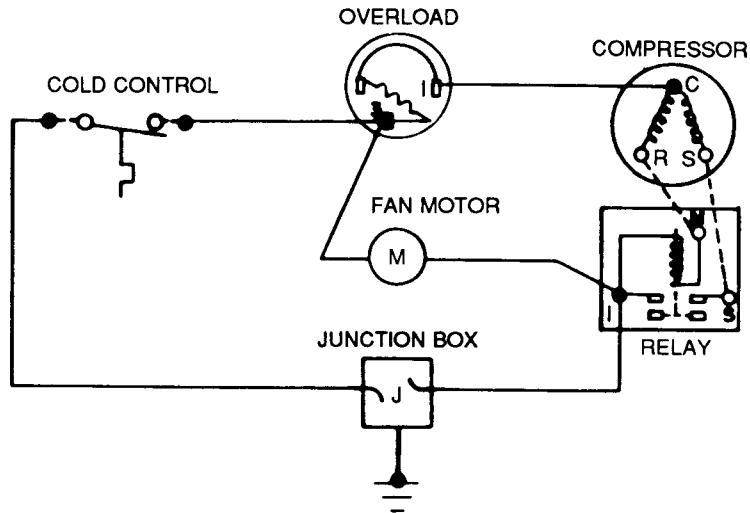
16	*Compressor	026883-003
17	Relay	026309
18	Overload	Internal
19	Fan Motor	027354-006

USED ON MODEL RLF5X

16	*Compressor	027495-015
17	Relay	017289
18	Overload	022314
19	Fan Motor	027354-018

*NOTE: Compressors include relay and overload.

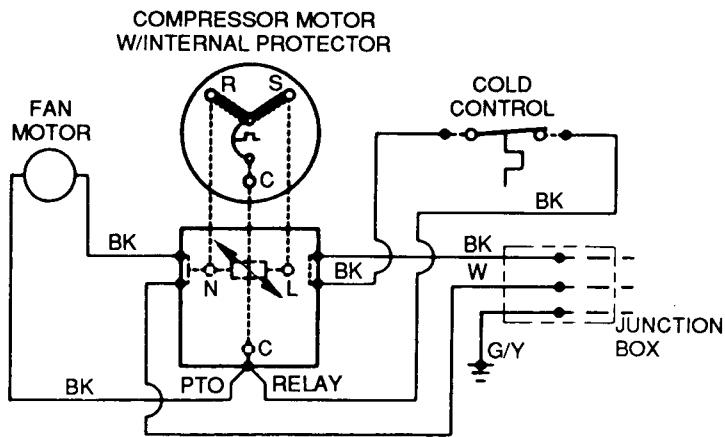
ELECTRICAL DIAGRAM



DP3P-001
RLF3

RLF5X

DP5P
RLF5P



RLF3Y-D

OASIS® & AQUARIUS® are registered trademarks of EBCO Manufacturing Company
The trademarks Kelvinator® and White-Westinghouse® are used under license from White Consolidated Industries, Inc.

EBCO® **MANUFACTURING COMPANY**

265 N. Hamilton Rd. • P.O. Box 13150 • Columbus, OH 43213-0150 • 614/861-1350 • Fax: 614/861-5017

Copyright 1993 EBCO Manufacturing Co.