



AQUARIUS
WAVES

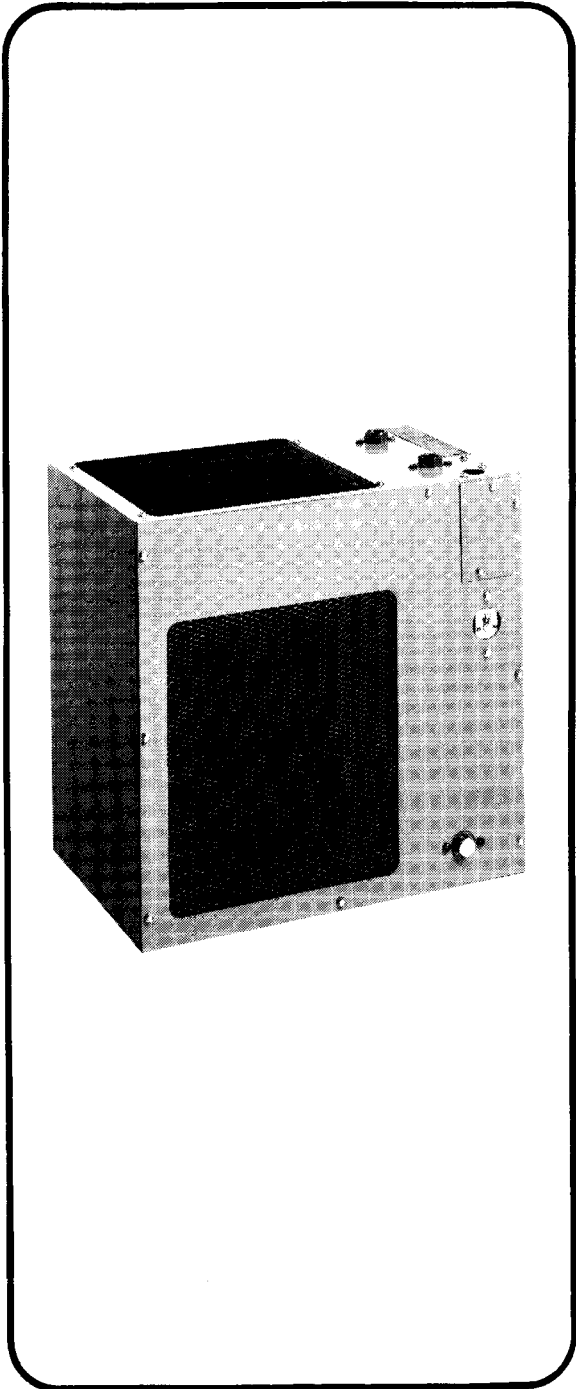
Kelvinator[®]

White-Westinghouse[®]

ILLUSTRATED PARTS BREAKDOWN

WATER COOLER MODELS:

IWR8-002	IWR12-001	RLF8	RLF12
IWR8-0015	IWR12-5	RLF8X	RLF12X

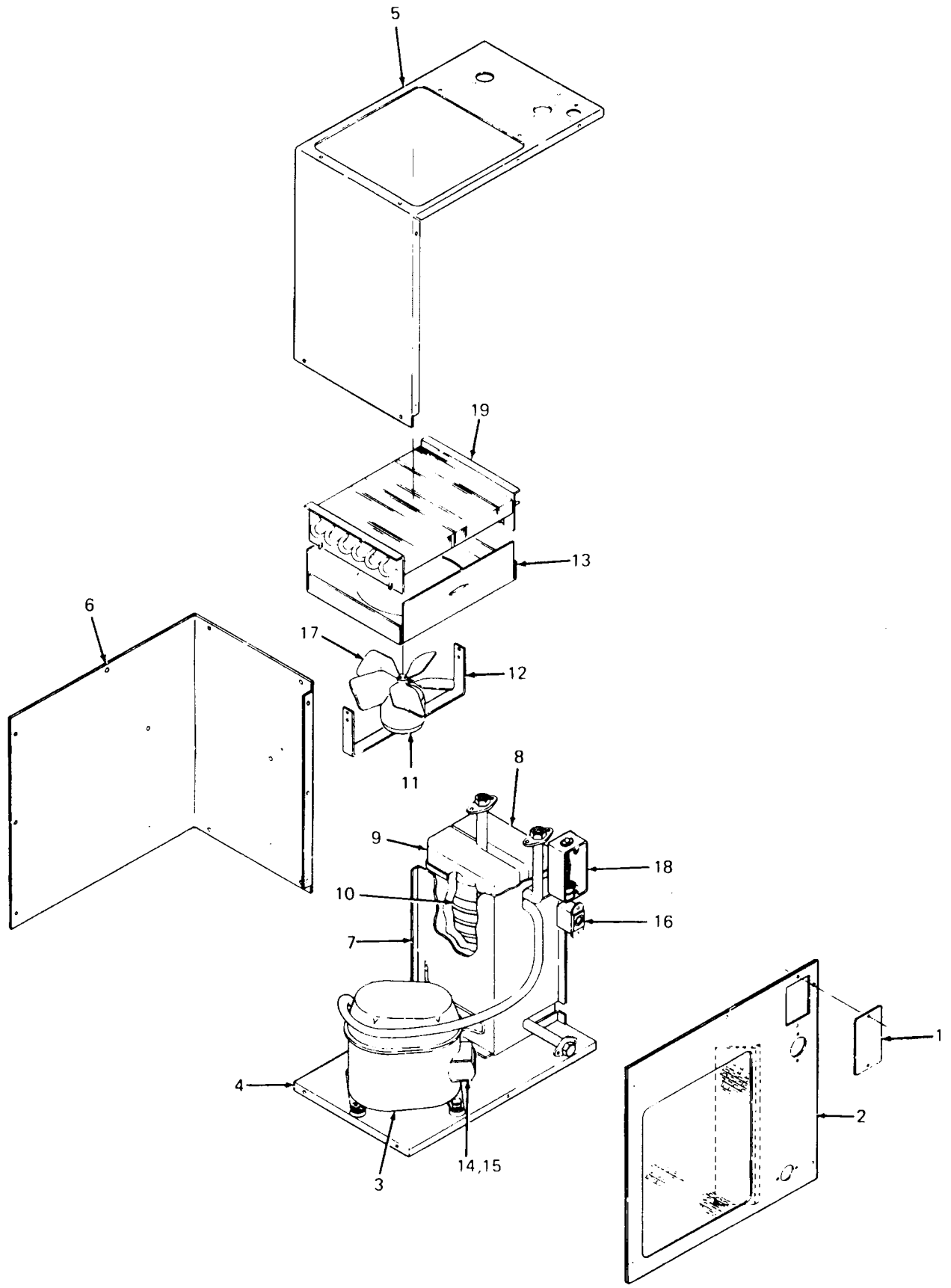


SPECIFICATIONS

Voltage	115 VAC ±10%/1PH/60 Hertz 220-240 VAC, 50 Hertz
Size (Approx)	16-1/2" H., 16-1/2" W., 10-1/2" D.
Shipping Weight (Approx)	49 LBS.
Cold Water Capacity	8 and 12 GPH
Compressor (HP)	
IWR8-002 & RLF8	1/5
IWR8-0015 & RLF8X	1/4
IWR12-001 & RLF12	1/3
IWR12-5 & RLF12X	1/3
Compressor Amps (Full Load)	
IWR8-002 & RLF8	5.0 Amps
IWR8-0015 & RLF8X	2.6 Amps
IWR12-001 & RLF12	8.3 Amps
IWR12-5 & RLF12X	3.2 Amps
Refrigerant	
IWR8-002 & RLF8	R-12
IWR8-0015 & RLF8X	R-12
IWR12-001 & RLF12	R-500
IWR12-5 & RLF12X	R-500
Refrigerant Charge	
IWR8-002 & RLF8	5 OZ.
IWR8-0015 & RLF8X	5-3/4 OZ.
IWR12-001 & RLF12	4-1/4 OZ.
IWR12-5 & RLF12X	5-1/2 OZ.

*A.R.I. Rating: Room Temperature 90°F; Supply Water Temperature 80°F; Drinking Water Temperature 50°F.

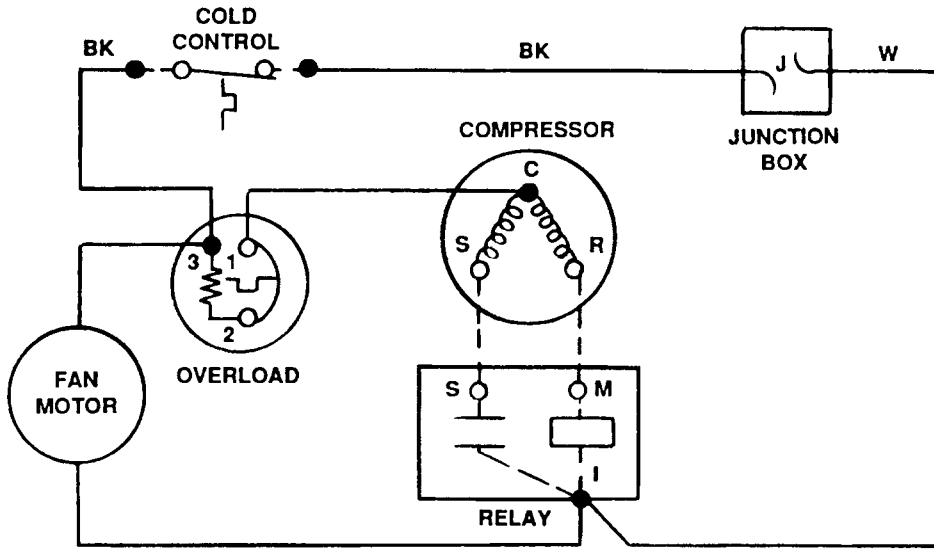
Specifications subject to change without notice.



PARTS LIST

ITEM NO.	DESCRIPTION	IWR8-002 RLF8	IWR8-0015 RLF8X	IWR12-001 RLF12	IWR12-5 RLF12X
1	Utility Box Cover	023877	023877	023877	023877
2	Front Panel	025619	025619	025619	025619
3	Compressor Assembly (Includes Items 14 and 15)	027256-002	027495-015	027495-005	027495-014
4	Base	028820-001	028820-001	025614	025614
5	Top and Side Panel	025615	025615	025615	025615
6	Rear and Side Panel	025616	025616	025616	025616
7	Fire Barrier	025620	025620	025620	025620
8	Cooling Tank Insulation, RH	028660-001	028660-001	028660-001	028660-001
9	Cooling Tank Insulation, LH	028661-001	028661-001	028661-001	028661-001
10	Insulated Cooling Tank Assembly	028816-001	028816-001	028816-002	028816-002
11	Fan Motor	027354-009	027354-018	027354-017	027354-007
12	Fan Motor Bracket	017530	017530	017530	017530
13	Fan Shroud	017821	017821	017821	017821
14	Overload	017977	022314	019603	019642-004
15	Relay	017978	017289	019434	019677
16	Cold Control	027040-007	027040-007	027040-007	027040-007
17	Fan Blade	024033	024033	024033	024033
18	Utility Box	020305-001	020305-001	020305-001	020305-001
19	Condenser	025757	025757	027896-001	027896-001

ELECTRICAL DIAGRAM



OASIS® & AQUARIUS® are registered trademarks of EBCO Manufacturing Company
 The trademarks Kelvinator® and White-Westinghouse® are used under license from White Consolidated Industries, Inc.

EBCO® **MANUFACTURING COMPANY**

265 N. Hamilton Rd. • P.O. Box 13150 • Columbus, OH 43213-0150 • 614/861-1350 • Fax: 614/861-5017

Copyright 1993 EBCO Manufacturing Co.