



Kelvinator

White-Westinghouse®

ILLUSTRATED PARTS BREAKDOWN

WATER COOLER MODELS:

CP5M-001D

CP5M-P

CP5M-001Z

CP5M-001D5/6

PLF5CM-D

PLF5CM-D001

PLF5CM-P

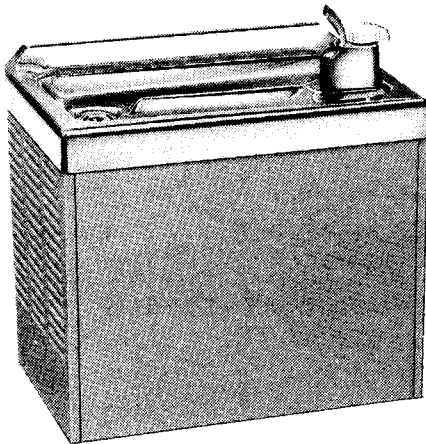
PLF5CM-P001

PLF5CM

PLF5CM-001

PLF5CMY-D

PLF5CMY-D001



SPECIFICATIONS

Models CP5M-D, CP5M-P, CP5M-Z, PLF5CM, PLF5CM-D, & PLF5CM-P

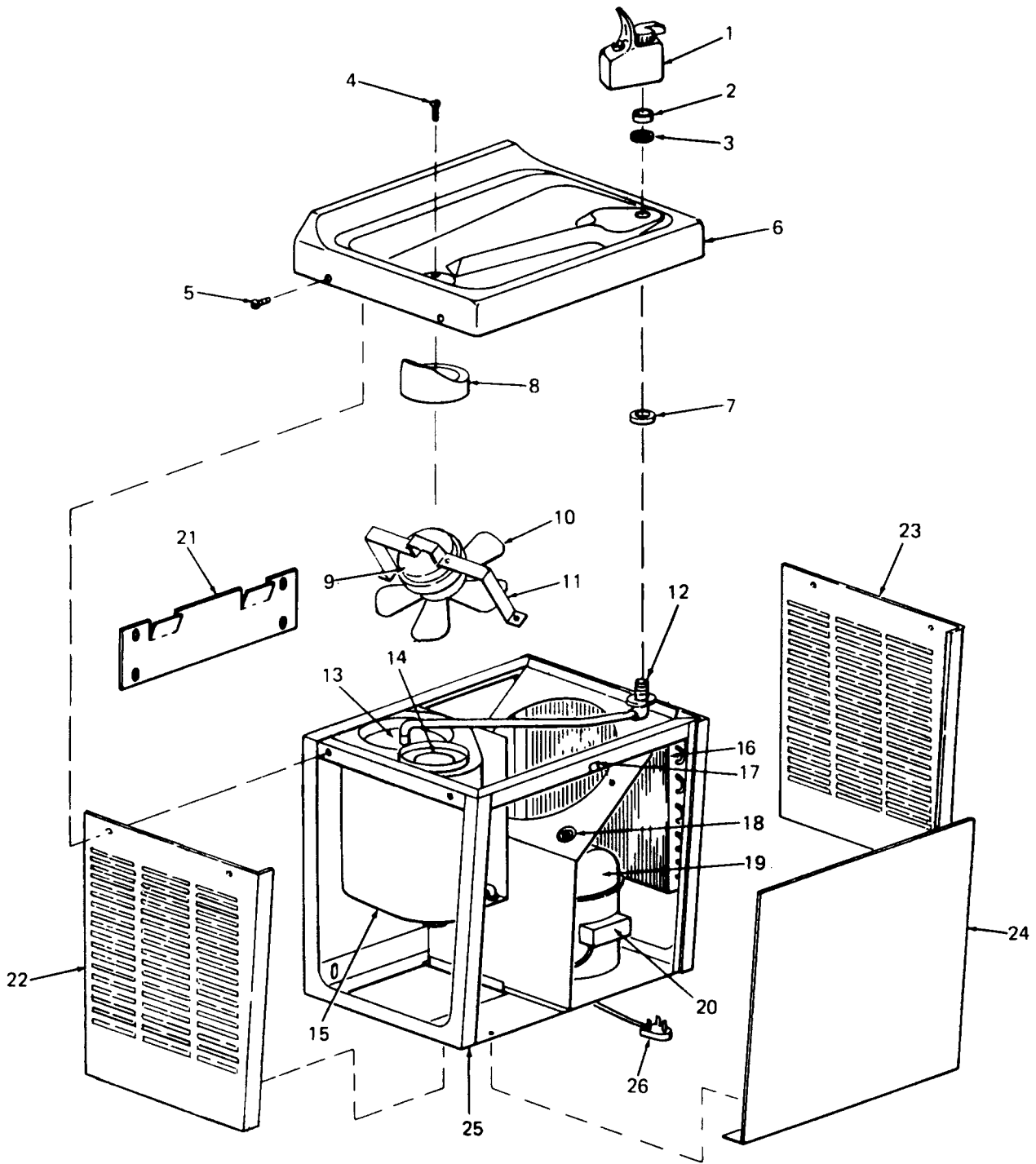
Voltage	115 VAC ±10%/1PH/60 Hertz
Size (Approx)	16" H., 17" W., 13" D.
Shipping Weight (Approx)	51 LBS.
Cold Water Capacity	5 GPH
Compressor - All Models	1/8 HP
Compressor (Full Load) 115 Volt	2.5 Amps
Refrigerant	R-12
Refrigerant Charge - All Models	3-1/8 OZ.

Models CP5M-D5/6 & PLF5CMY-D

Voltage	220/240 Volt 50/60 Hertz
Size (Approx)	16" H., 17" W., 13" D.
Shipping Weight (Approx)	51 LBS.
Cold Water Capacity	5 GPH
Compressor - All Models	1/8 HP
Compressor (Full Load) 220 Volt	1.2 Amps
Refrigerant	R-12
Refrigerant Charge - All Models	3-1/8 OZ.

* A.R.I. Rating: Room Temperature 90°F; Supply Water Temperature 80°F; Drinking Water Temperature 50°F.

Specifications subject to change without notice.



PARTS LIST

ITEM NO.	DESCRIPTION	CP5M PLF5CM SERIES	CP5M-D5/6 PLF5CMY-D SERIES
1	12000 Bubbler Valve	026551-002	026551-002
	12000A Bubbler Valve (PLF-001 Series)	030774-002	030774-002
2	Valve Body Gasket	008983	008983
3	Friction Washer	009281	009281
4	Drain Screw	026655-002	026655-002
5	Top Screw	026630-005	026630-005
6	Top	028846-003	028846-003
7	Gasket (Under Top)	028706-001	028706-001
8	Waste Gasket	018050	018050
9	Fan Motor Assembly	027354-021	027354-006
10	Fan Blade	020243	020243
11	Fan Motor Bracket	026969	026969
12	Bubbler Supply Spud	029177-001	029177-001
13	Cooling Tank Assembly	029437-001	029437-001
14	Precooler	028084-001	028084-001
15	Cooling Tank Insulation L/H	019990L	019990L
	Cooling Tank Insulation R/H	019990R	019990R
16	Condenser	028072-001	028072-001
17	Panel Clip	018156-001	018156-001
18	Cold Control	027040-007	027040-005
19	Compressor (Includes Item 20)	See Below	026883-003
20	Relay	See Below	026309
21	Hanger Bracket & Barrier Assembly	025662-002	025662-002
22	Left Side Panel - Tan	026935-003	026935-003
	Left Side Panel - Stainless Steel	026935-027	026935-027
23	Right Side Panel - Tan	026935-004	026935-004
	Right Side Panel - Stainless Steel	026935-028	026935-028
24	Front Panel - Tan	026925-001	026925-001
	Front Panel - Stainless Steel	026925-014	026925-014
25	Frame Assembly	029436-001	029436-001
26	Service Cord	026540-013	028625-002

COMPRESSORS

DANFOSS CP5M-D AND PLF5CM-D

19	*Compressor	026868-003
20	Relay	026867
	Overload	Internal

PANASONIC CP5M-P AND PLF5CM-P

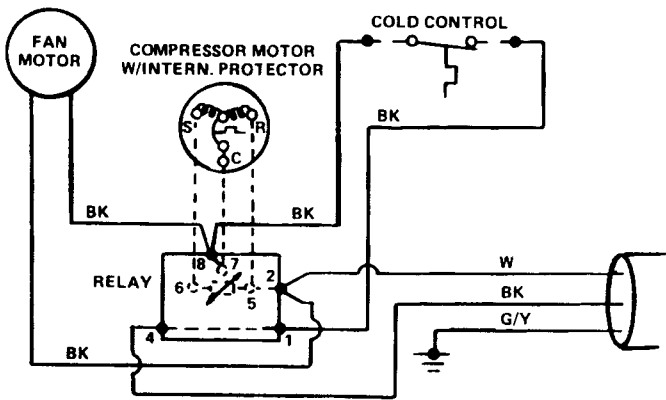
19	*Compressor	028570-003
20	Relay	027709-002
	Overload	Internal

TECUMSEH CP5M-Z AND PLF5CM

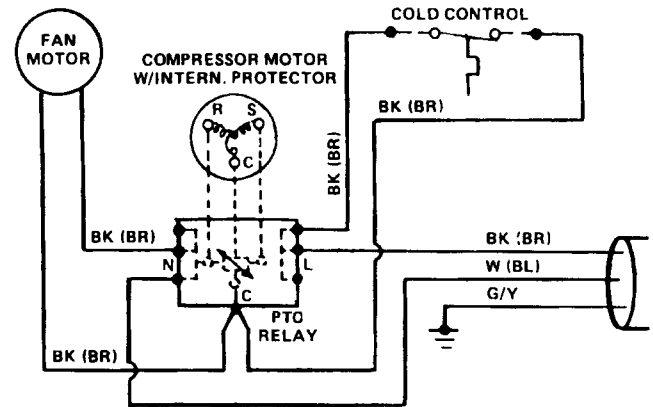
19	*Compressor	027245-001
20	Relay	027267-003
	Overload	027268-002

*NOTE: Compressors include relay and overload.

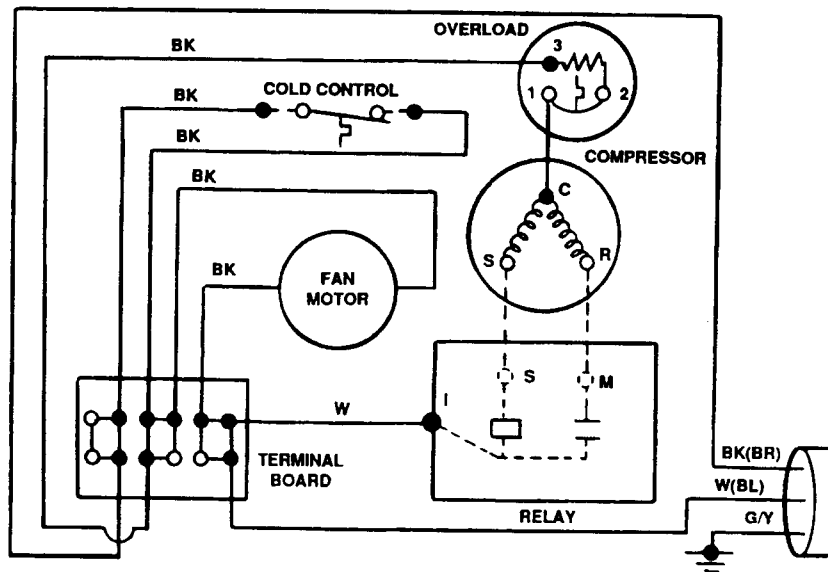
ELECTRICAL DIAGRAM



PANASONIC MODELS



DANFOSS MODELS



TECUMSEH MODELS

OASIS® & AQUARIUS® are registered trademarks of EBCO Manufacturing Company
 The trademarks Kelvinator® and White-Westinghouse® are used under license from White Consolidated Industries, Inc.

EBCO® **MANUFACTURING COMPANY**

265 N. Hamilton Rd. • P.O. Box 13150 • Columbus, OH 43213-0150 • 614/861-1350 • Fax: 614/861-5017

Copyright 1993 EBCO Manufacturing Co.