



**AQUARIUS**

*Kelvinator*

White-Westinghouse®

# ILLUSTRATED PARTS BREAKDOWN

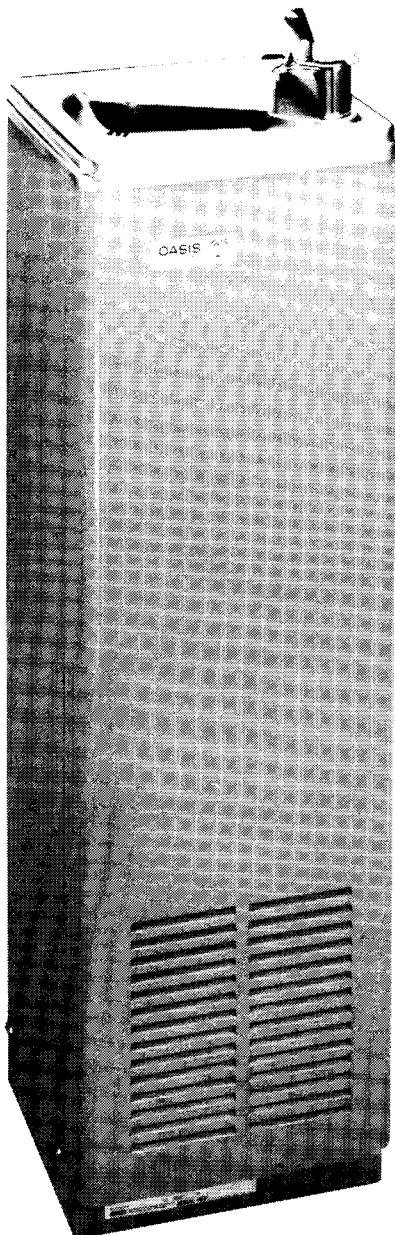
## WATER COOLER MODELS:

**CP8-001  
CP8-001P  
CP10-002**

**CP10-001P  
PLF8CP  
PLF8CP-001**

**PLF8CP-P  
PLF8CP-P001  
PLF10CP**

**PLF10CP-001  
PLF10CP-P  
PLF10CP-P001**



## SPECIFICATIONS

### Models CP8, CP10, PLF8CP and PLF10CP Series

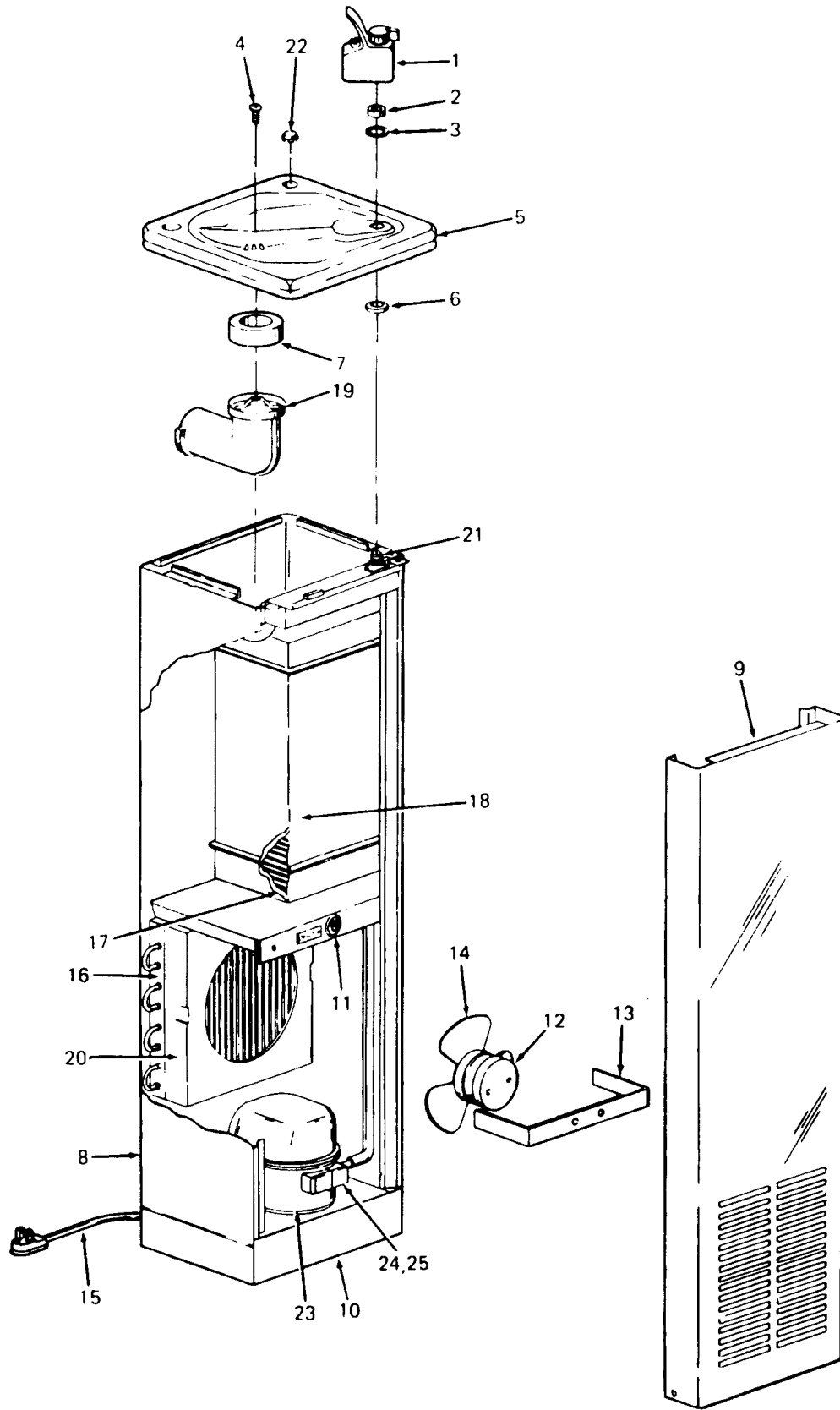
Voltage	115 VAC ±10%/1PH/60 Hertz
Size (Approx)	40" H., 12" W., 12" D.
Shipping Weight (Approx)	70 LBS.
Cold Water Capacity	8 and 10 GPH
Compressor	1/4 HP
Compressor (Full Load)	6.0 Amps
Refrigerant	R-500
Refrigerant Charge	4-1/2 OZ.

### Models CP8-P, CP10-P, PLF8CP-P and PLF10CP-P Series

Voltage	115 VAC ±10%/1PH/60 Hertz
Size (Approx)	40" H., 12" W., 12" D.
Shipping Weight (Approx)	70 LBS.
Cold Water Capacity	8 and 10 GPH
Compressor	1/4 HP
Compressor (Full Load)	6.3 Amps
Refrigerant	R-500
Refrigerant Charge	4-1/4 OZ.

\*A.R.I. Rating: Room Temperature 90°F; Supply Water Temperature 80°F; Drinking Water Temperature 50°F.

Specifications subject to change without notice.



# PARTS LIST

ITEM NO.	DESCRIPTION	CP8 CP10 PLF8CP PLF10CP SERIES
1	12000 Bubbler Valve .....	026551-002
	12000A Bubbler Valve (PLF-001 Series) .....	030774-002
2	Valve Body Gasket .....	008983
3	Friction Washer .....	009281
4	Top Screw .....	026655-002
5	Top .....	028464-001
6	Gasket (Under Top) .....	028706-001
7	Waste Gasket .....	019131
8	Cabinet Assembly – Tan .....	019687-007
	Cabinet Assembly – Stainless Steel .....	019687-009
9	Front Panel – Tan .....	017528-001
	Front Panel – Stainless Steel .....	017528-002
10	Base Assembly – Tan .....	030033-001
	Base Assembly – Stainless Steel .....	030033-003
11	Cold Control .....	027040-007
12	Fan Motor .....	027354-008
13	Fan Motor Bracket .....	017530
14	Fan Blade .....	022977
15	Service Cord .....	026540-005
16	Condenser .....	018252
17	Insulated Cooling Tank Assembly .....	028531-001
18	Cooling Tank Insulation, RH .....	028660-001
	Cooling Tank Insulation, LH .....	028661-001
19	Insulated Waste Assembly .....	024455
20	Fan Shroud .....	017821
21	Spud Bubbler Supply .....	028701-002
22	Hole Cover .....	016994
 <b>NOT SHOWN</b>		
	Glass Filler Installation Kit .....	029006-001

## COMPRESSORS

### TECUMSEH CP8, CP10, PLF8CP & PLF10CP

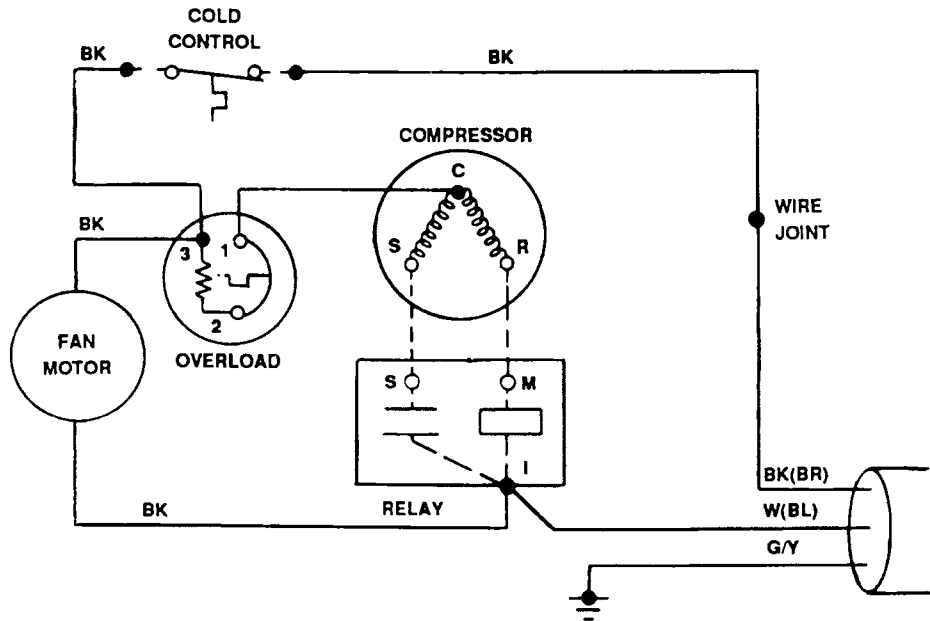
23	*Compressor Assembly .....	027495-006
24	Relay .....	018461
25	Overload .....	017977

### PANASONIC CP8-P, CP10-P, PLF8CP-P & PLF10CP-P

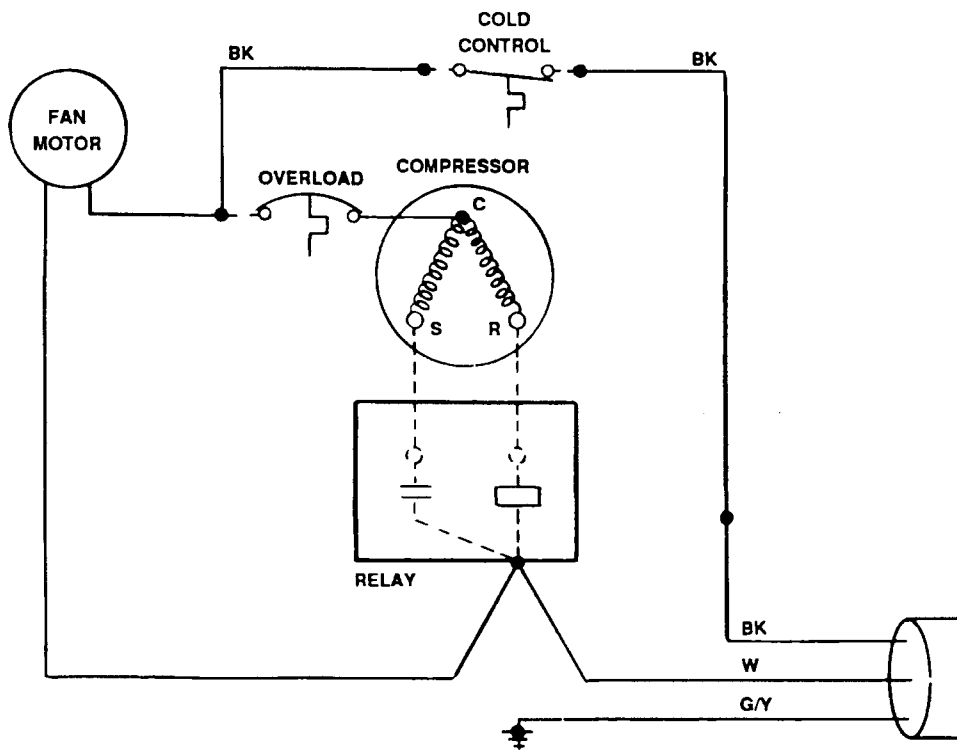
23	*Compressor Assembly .....	026186
24	Relay .....	025335-005
25	Overload .....	026185

\*NOTE: Compressors include relay and overload.

# ELECTRICAL DIAGRAM



TECUMSEH MODELS



PANASONIC MODELS

OASIS® & AQUARIUS® are registered trademarks of EBCO Manufacturing Company  
 The trademarks Kelvinator® and White-Westinghouse® are used under license from White Consolidated Industries, Inc.

**EBCO**® MANUFACTURING COMPANY

265 N. Hamilton Rd. • P.O. Box 13150 • Columbus, OH 43213-0150 • 614/861-1350 • Fax: 614/861-5017

Copyright 1993 EBCO Manufacturing Co.