



AQUARIUS
®

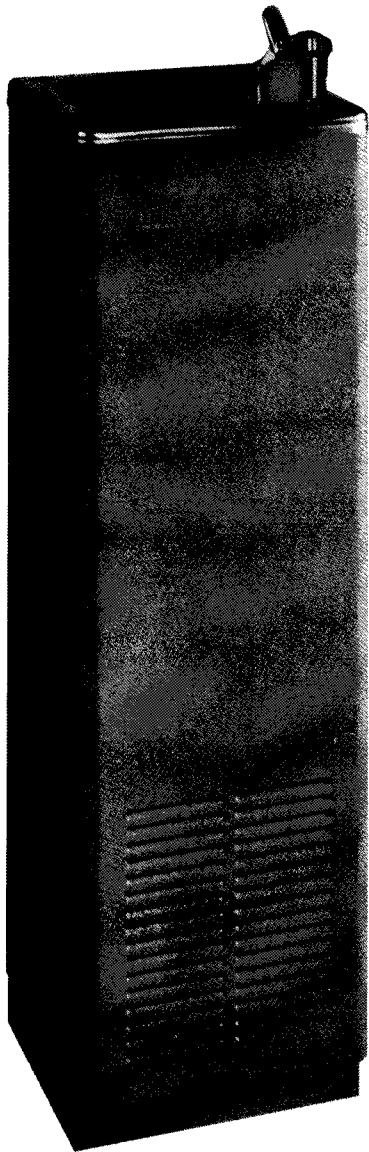
Kelvinator®

White-Westinghouse®

ILLUSTRATED PARTS BREAKDOWN

WATER COOLER MODELS:

CP1-001P	PLF1CP-P	PLF1CP-D001
CP1-001D	PLF1CP-P001	PLF1CPY-D
CP1-001D5/6	PLF1CP-D	PLF1CPY-D001



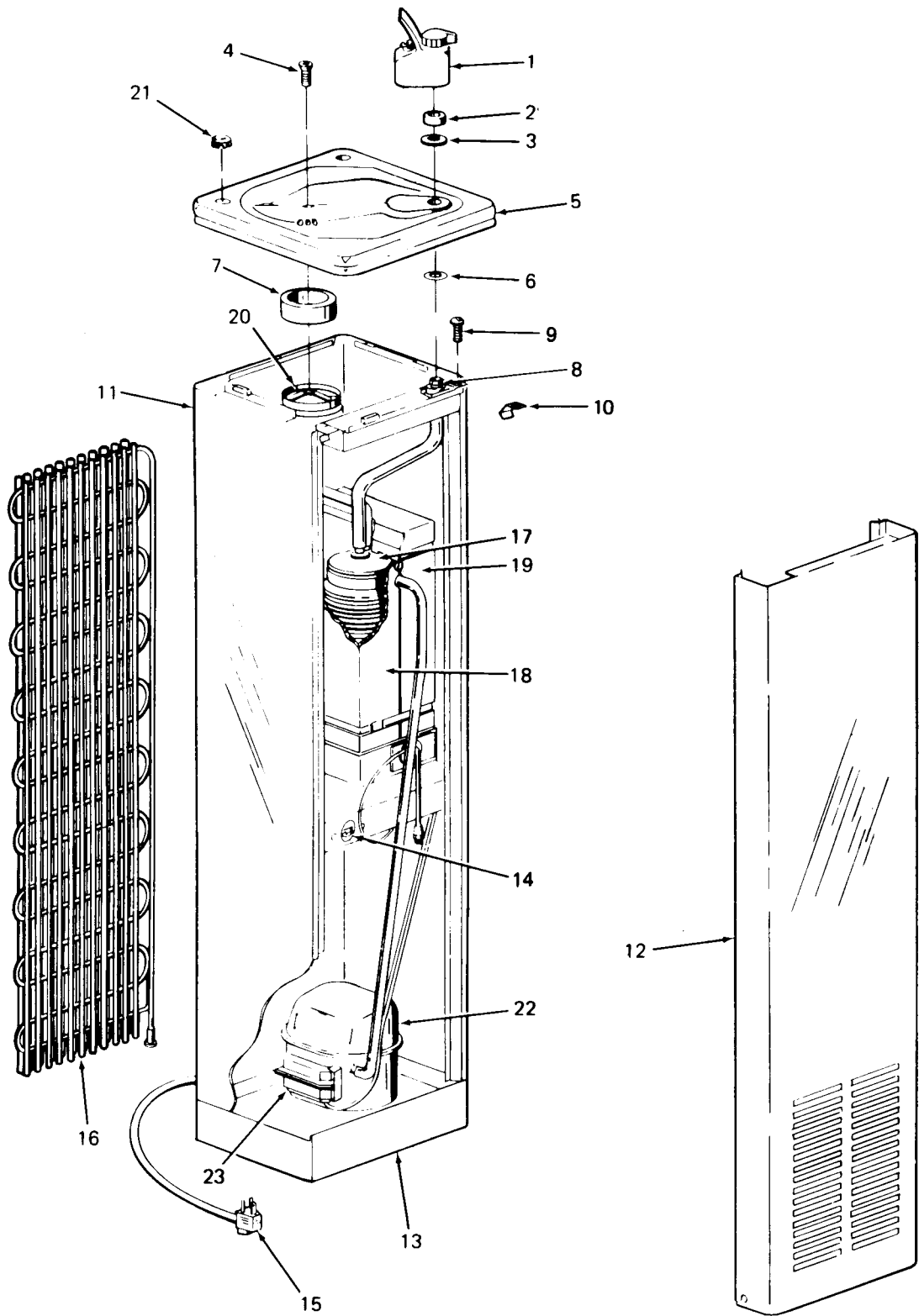
SPECIFICATIONS

Voltage	
CP1, PLF1CP	115 VAC ±10%/1PH/60 Hertz
Size (Approx)	40" H., 12" W., 12" D.
Shipping Weight (Approx)	62 LBS.
Cold Water Capacity	1 GPH
Compressor	1/20 HP
Compressor (Full Load)	1.2 Amps
Refrigerant	R-12
Refrigerant Charge	1-7/8 OZ

Voltage	
CP1-D5/6, PLF1CPY-D	220-240 VAC 50/60 Hertz
Size (Approx)	40" H., 12" W., 12" D.
Shipping Weight (Approx)	62 LBS.
Cold Water Capacity	1 GPH
Compressor	1/20 HP
Compressor (Full Load)	1.0 Amp
Refrigerant	R-12
Refrigerant Charge	1-7/8 OZ

*A.R.I. Rating: Room Temperature 90°F; Supply Water Temperature 80°F; Drinking Water Temperature 50°F.

Specifications subject to change without notice.



PARTS LIST

ITEM NO.	DESCRIPTION	CP1 PLF1CP SERIES
1	12000 Bubbler Valve	026551-002
	12000A Bubbler Valve (PLF-001 Series)	030774-002
2	Valve Body Gasket	008983
3	Friction Washer	009281
4	Top Screw	026655-002
5	Top	028464-001
6	Gasket (Under Top)	028706-001
7	Waste Gasket	019131
8	Valve Spud	028701-002
9	Screw	026630-011
10	Speed Nut Clip	012253
11	Cabinet Assembly – Tan	019687-008
	Cabinet Assembly – Stainless Steel	019687-010
12	Front Panel – Tan	017528-001
	Front Panel – Stainless Steel	017528-002
13	Base Assembly – Tan	030033-002
	Base Assembly – Stainless Steel	030033-004
14	Cold Control	027040-007
15	Service Cord	026540-003
16	Condenser	026695
17	Insulated Cooling Tank Assembly	028566-001
18	Cooling Tank Insulation, LH	025115
19	Cooling Tank Insulation, RH	025114
20	Insulated Waste Assembly	024455
21	Hole Cover	016994

NOT SHOWN

Glass Filler Installation Kit	029006-001
-------------------------------------	------------

COMPRESSORS

PANASONIC CP1-P & PLF1CP-P

22	*Compressor Assembly	028570-001
23	Relay	027709-001

DANFOSS CP1-D & PLF1CP-D

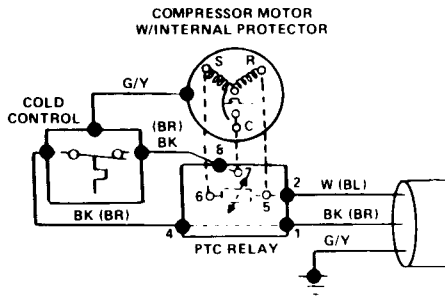
22	*Compressor Assembly	026868-001
23	Relay	026867

DANFOSS 220 VOLT CP1-D5/6 & PLF1CPY

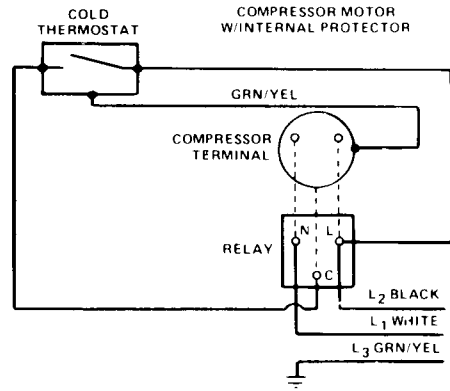
22	*Compressor Assembly	026883-001
23	Relay	026309

*NOTE: Compressors include relay.

ELECTRICAL DIAGRAM



PANASONIC MODELS



DANFOSS MODELS

OASIS® & AQUARIUS® are registered trademarks of EBCO Manufacturing Company
 The trademarks Kelvinator® and White-Westinghouse® are used under license from White Consolidated Industries, Inc.

EBCO® MANUFACTURING COMPANY

265 N. Hamilton Rd. • P.O. Box 13150 • Columbus, OH 43213-0150 • 614/861-1350 • Fax: 614/861-5017

Copyright 1993 EBCO Manufacturing Co.