



**AQUARIUS**

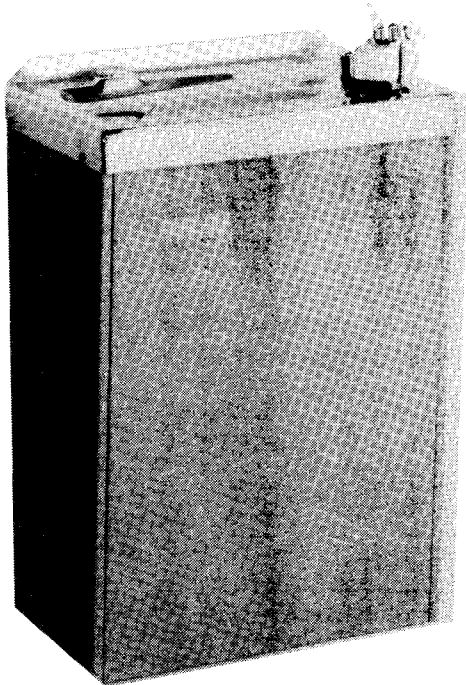
*Kelvinator*

White-Westinghouse®

# ILLUSTRATED PARTS BREAKDOWN

## WATER COOLER MODELS:

<b>DP8M-002</b>	<b>DP16M-002</b>	<b>PLF8MH</b>	<b>PLF14M-001</b>
<b>DP8MH-002</b>	<b>PLF8M</b>	<b>PLF8MH-001</b>	<b>PLF16M</b>
<b>DP14M-002</b>	<b>PLF8M-001</b>	<b>PLF14M</b>	<b>PLF16M-001</b>



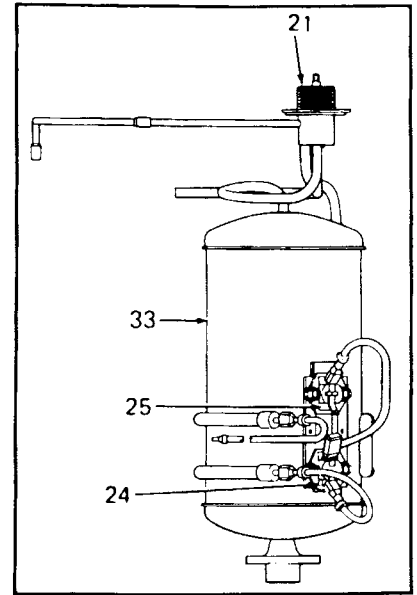
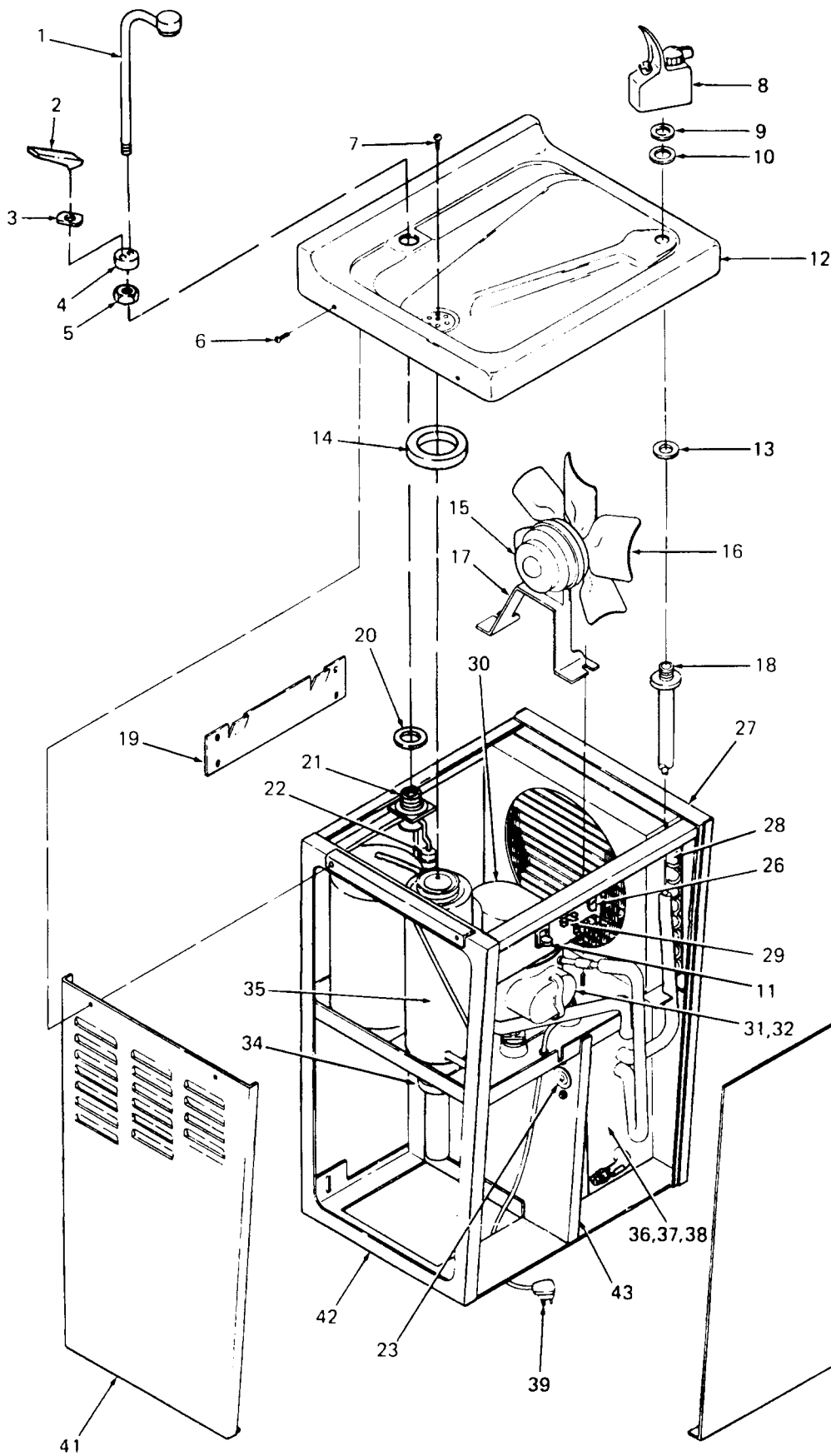
## SPECIFICATIONS

Voltage 115 VAC ±10%/1PH/60 Hertz  
 Size (Approx) 26" H., 17" W., 13" D.  
 Shipping Weight (Approx) 77 LBS.

	<b>Models</b>	<b>8M</b>	<b>8MH</b>	<b>14M</b>	<b>16M</b>
Cold Water Capacity (GPH)		8	8	14	16
Compressor (HP)		1/5	1/5	1/5	1/5
Compressor (Amps) (Full Load)		5.0	9.3	5.0	5.0
Refrigerant		R-12	R-12	R-12	R-500
Refrigerant Charge (OZ.)		5-1/4	5-1/4	5-1/4	4-1/4

\*A.R.I. Rating: Room Temperature 90°F; Supply Water Temperature 80°F; Drinking Water Temperature 50°F.

Specifications subject to change without notice.

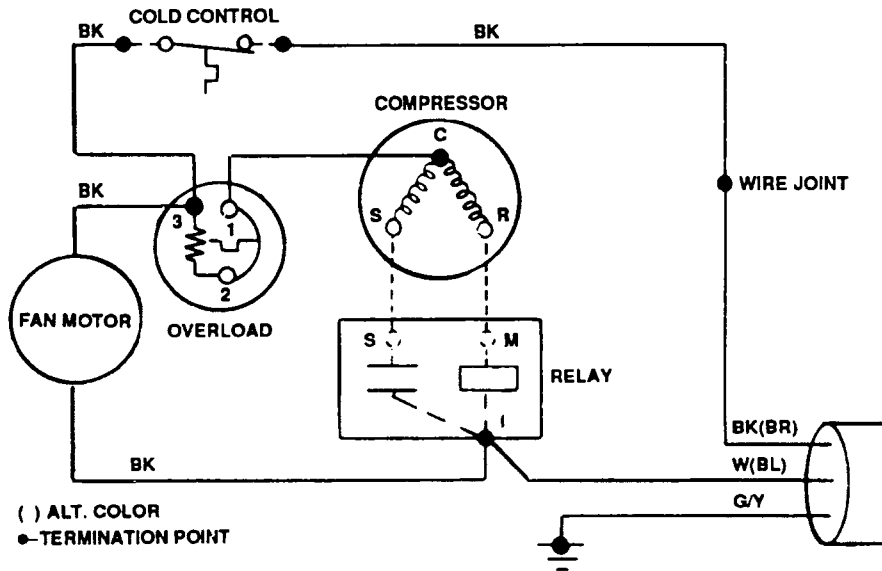


**HOT TANK ASSEMBLY**

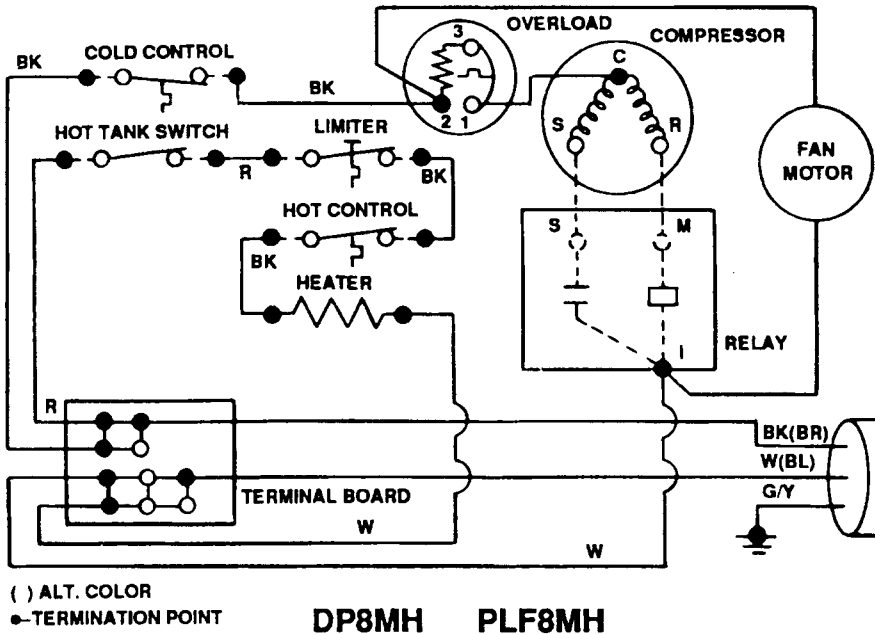
## PARTS LIST

ITEM NO.	DESCRIPTION	DP8M	DP8MH	DP14M
		PLF8M	PLF8MH	DP16M PLF14M PLF16M
1	Gooseneck .....	---	017590	---
2	Handle .....	---	017925	---
3	Tee Nut .....	---	017926	---
4	Cover .....	---	017927	---
5	Nut .....	---	017583	---
6	Top Screw .....	026630-005	026630-005	026630-005
7	Drain Screw .....	026655-002	026655-002	026655-002
8	12000 Valve Assembly .....	026551-002	026551-002	026551-002
	12000A Valve Assembly (PLF-001 SERIES) .....	030774-002	030774-002	030774-002
9	Valve Body Gasket .....	008983	008983	008983
10	Friction Washer .....	009281	009281	009281
11	Paddle Switch .....	---	020478	---
12	Top .....	028965-005	028965-002	028965-005
13	Bubbler Spud Gasket .....	028706-001	028706-001	028706-001
14	Waste Gasket .....	018050	018050	018050
15	Fan Motor Assembly .....	027354-009	027354-009	027354-009
16	Fan Blade .....	022977	022977	022977
17	Fan Motor Bracket .....	018559	018559	018559
18	Valve Spud .....	028701-002	028701-002	028701-002
19	Hanger .....	016698-002	025662-001	016698-002
20	Hot Valve Gasket .....	---	017582	---
21	Hot Valve Body and Stem Assembly .....	---	021516	---
22	Check Valve .....	---	019690	---
23	Cold Control .....	027040-007	027040-007	027040-007
24	Hot Control w/Mounting Clip .....	---	028603-001	---
25	Heat Limiter w/Mounting Clip .....	---	028604-001	---
26	Panel Clip .....	018156-001	018156-001	018156-001
27	Right Side Panel – Stainless Steel .....	018939R	018939R	018939R
	Right Side Panel – Sandstone .....	018937-004	018937-004	018937-004
28	Condenser Assembly .....	024076-001	024076-001	024076-001
29	Terminal Base .....	---	023265	---
30	Compressor (Includes 31 and 32) .....	027256-002	027256-002	027256-002
31	Overload .....	017977	017977	017977
32	Relay .....	017978	017978	017978
33	Hot Tank .....	---	029359-001	---
34	Precooler or Waste Assembly .....	019010-001	019010-002	025198-001
35	Precooler Insulation .....	018073-004	018073-004	018059-010
36	Insulated Cooling Tank Assembly .....	028883-001	028974-001	028882-001
37	Cooling Tank Insulation, RH .....	028660-001	028660-001	028660-001
38	Cooling Tank Insulation, LH .....	028661-001	028661-001	028661-001
39	Service Cord .....	026540-004	026540-013	026540-004
40	Front Panel – Stainless Steel .....	019646	019646	019646
	Front Panel – Sandstone .....	019644-002	019644-002	019644-002
41	Left Side Panel – Stainless Steel .....	018939L	018939L	018939L
	Left Side Panel – Sandstone .....	018937-003	018937-003	018937-003
42	Frame Assembly .....	028983-001	028983-001	028983-001
43	Partition Plate .....	025148	025148	025148
<b>NOT SHOWN</b>				
	Glass Filler Installation Kit .....	029137-001	---	029137-001
	Hole Cover .....	016994	---	016994

# ELECTRICAL DIAGRAM



**DP8M      PLF8M**  
**DP14M    PLF14M**  
**DP16M    PLF16M**



**DP8MH    PLF8MH**

OASIS® & AQUARIUS® are registered trademarks of EBCO Manufacturing Company  
 The trademarks Kelvinator® and White-Westinghouse® are used under license from White Consolidated Industries, Inc.

**EBCO® MANUFACTURING COMPANY**

265 N. Hamilton Rd. • P.O. Box 13150 • Columbus, OH 43213-0150 • 614/861-1350 • Fax: 614/861-5017

Copyright 1993 EBCO Manufacturing Co.