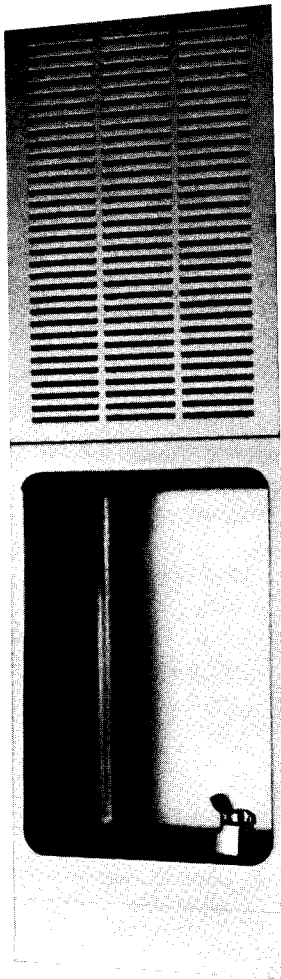


SERVICE INSTRUCTIONS

...with Illustrated
Parts Breakdown

EBCO[®]

WATER COOLER MODELS: FP8WF, FP12WF



DESCRIPTION

These models provide drinking water cooled to 50°F at 8 and 12 gallons per hour.

The refrigeration system is hermetically sealed at manufacture and is generally considered to be non-field-serviceable. The air-cooled compressor pumps refrigerant through the fan-cooled condenser and a capillary tube (expansion valve) to the cooling tank evaporator. The evaporator is wrapped around the cooling tank for high efficiency.

The electrical circuit includes automatic overload protection, and an adjustable cold control for water temperature regulation.

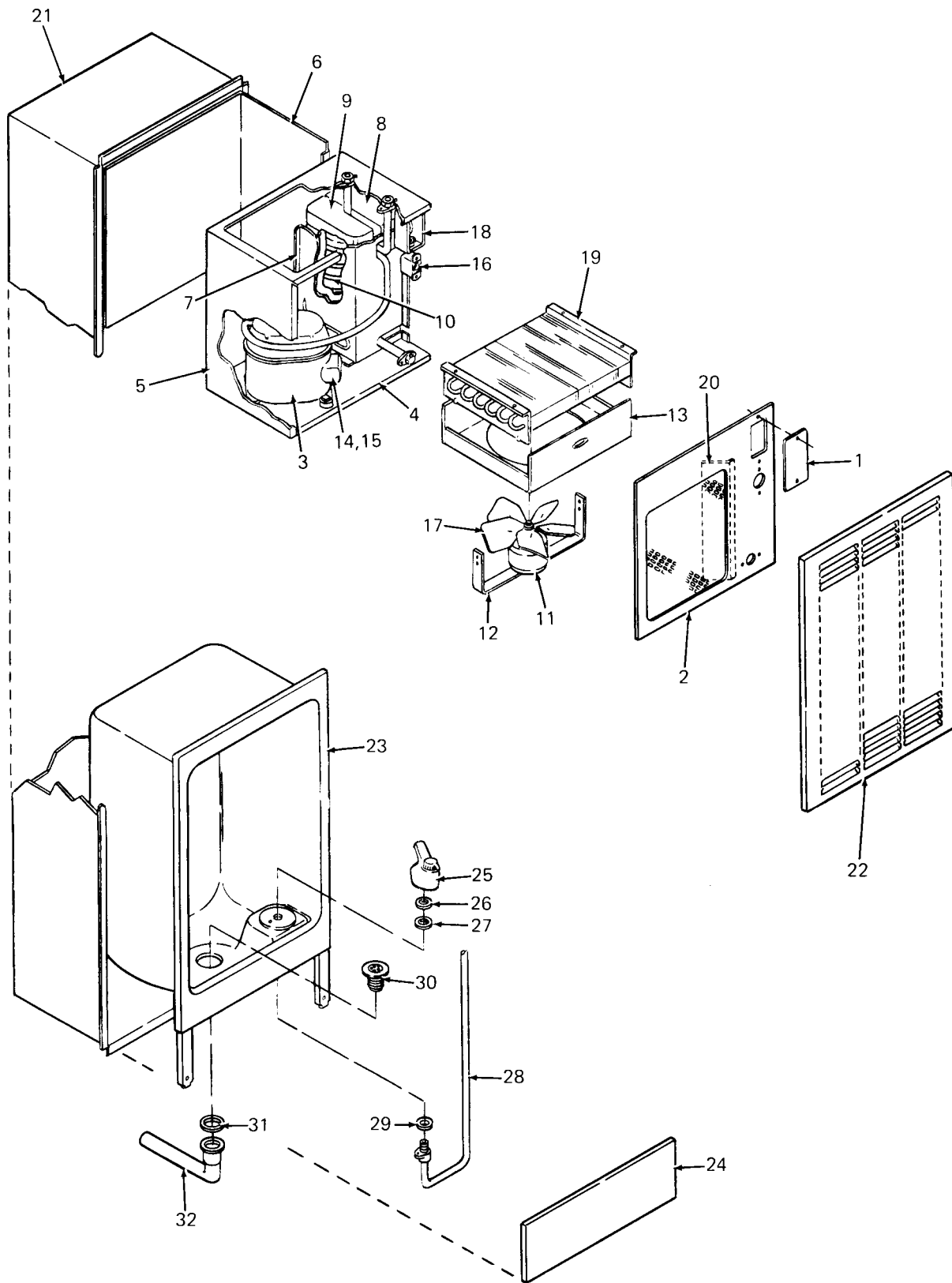
SPECIFICATIONS

Voltage	115 VAC \pm 10%/1PH/60 Hertz	
Size (Approx)	60" H., 18" W., 11" D.	
Shipping Weight (Approx)	88 LBS.	

	Models	FP8WF	FP12WF
Cold Water Capacity (GPH)		8	12
Compressor (HP)		1/5	1/3
Compressor (Amps) (Full Load)		5.0	8.3
Refrigerant		R-12	R-500
Refrigerant Charge (OZ.)		6-1/2	5-1/2

*A.R.I. Rating: Room Temperature 90°F; Supply Water Temperature 80°F; Drinking Water Temperature 50°F.

Specifications subject to change without notice.



PARTS LIST

ITEM NO.	DESCRIPTION	** FP8WF	** FP12WF
1	Utility Box Cover	023877	023877
2	Front Panel	025619	025619
3	Compressor Assembly (Includes Items 14 and 15)	027256-002	027495-005
4	Base	025614	025614
5	Top and Side Panel	025615	025615
6	Rear and Side Panel	025616	025616
7	Fire Barrier	025620	025620
8	Cooling Tank Insulation, RH	025114	025114
9	Cooling Tank Insulation, LH	025115	025115
10	Insulated Cooling Tank Assembly	025630	027899-001
11	Fan Motor Assembly	027354-009	027354-017
12	Fan Motor Bracket	017530	017530
13	Fan Shroud	017821	017821
14	Overload	017977	019603
15	Relay	017978	019434
16	Cold Control	027040-007	027040-007
17	Fan Blade	024033	024033
18	Utility Box	025639	025639
19	Condenser	025757	027896-001
20	Shield	025734	025734
21	Sleeve Assembly Complete Fully Rec	028285-001	028285-001
22	Grille – Stainless Steel	027719-001	027719-001
	Grille – Bronze	027719-002	027719-002
23	Top Assembly – Stainless Steel	028223-006	028223-006
	Top Assembly – Bronze	028223-007	028223-007
24	Plumbing Cover Panel – Stainless Steel	028228-001	028228-001
	Plumbing Cover Panel – Bronze	028228-002	028228-002
25	* Bubbler Valve – Brite	023570	023570
	* Bubbler Valve – Bronze	023575	023575
26	* Valve Body Gasket	008983	008983
27	* Friction Washer	009281	009281
28	* Cooler to Bubbler Tube Assembly	028281-001	028281-001
29	* Bubbler Spud Gasket	010545	010545
30	* Strainer – Stainless Steel	024269	024269
	* Strainer – Bronze	025962	025962
31	* Gasket	011416	011416
32	* Waste Assembly	028316-001	028316-001

NOT SHOWN

Plumbing & Fitting Kit – Stainless Steel	028284-001	028284-001
Plumbing & Fitting Kit – Bronze	028284-002	028284-002

* Included in Plumbing & Fitting Kit

** FP8WF items 1 thru 20 make up an IWR8-1.

** FP12WF items 1 thru 20 make up an IWR12.

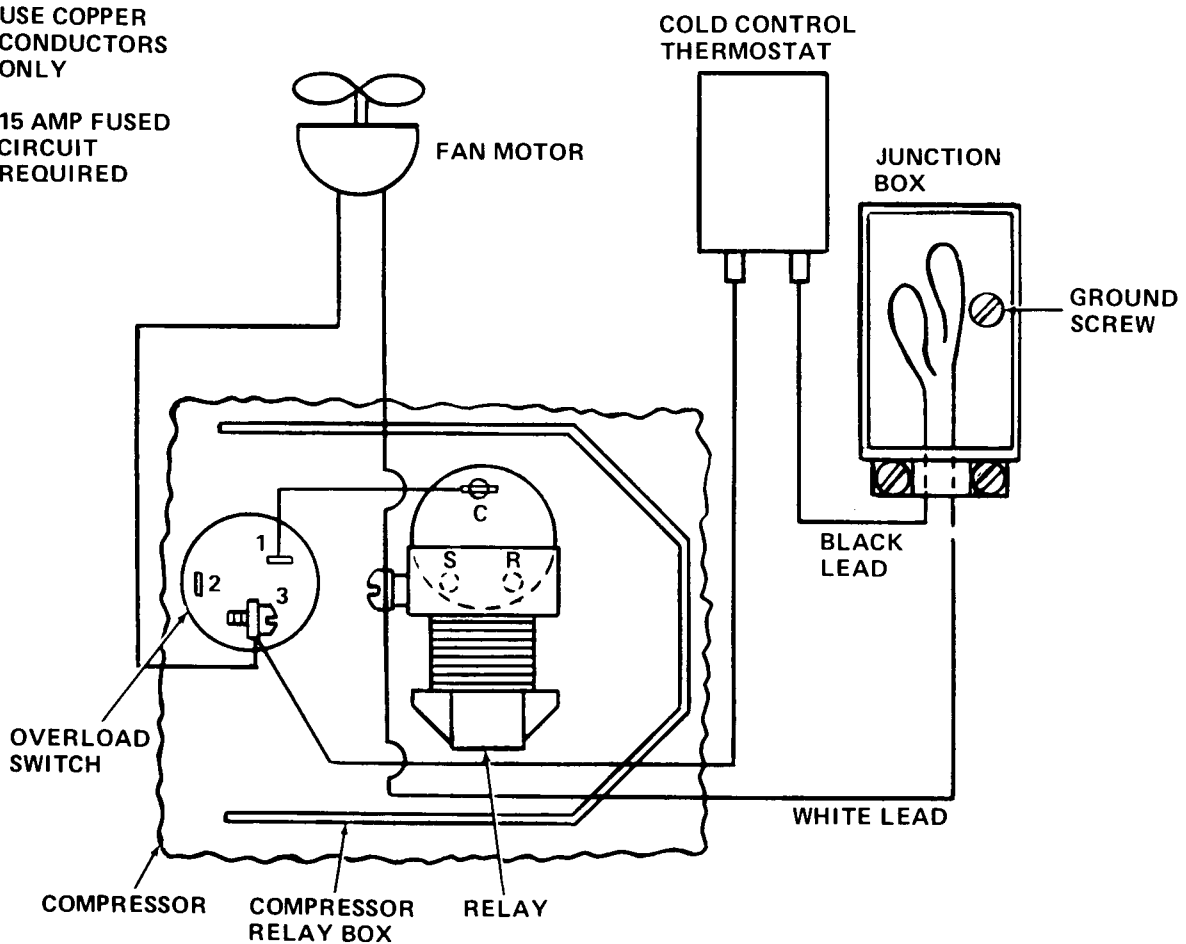
SERVICE CHECK CHART

TROUBLE	PROBABLE CAUSE	REMEDY
Unit not running	No electrical power Defective cold control Defective relay	Check power source Check that cold control is not in off position Replace Replace
Unit running but not cooling	Refrigerant leak or low refrigerant	Add refrigerant
Unit running continuously	Defective cold control Low refrigerant	Replace Add refrigerant

ELECTRICAL DIAGRAM

USE COPPER CONDUCTORS ONLY

15 AMP FUSED CIRCUIT REQUIRED



EBCO® MANUFACTURING COMPANY

265 N. Hamilton Rd. • P.O. Box 13150 • Columbus, OH 43213-0150 • 614/861-1350 • Cable: EBCO • Fax: 614/861-5017