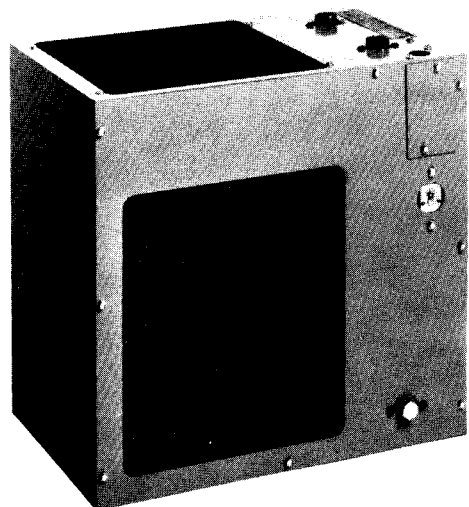


# SERVICE INSTRUCTIONS

...with Illustrated  
Parts Breakdown

# EBCO<sup>®</sup>

## WATER COOLER MODELS: IWR8-I, IWR12



## DESCRIPTION

These models provide drinking water cooled to 50°F at 8 and 12 gallons per hour. These units are designed for remote or in-a-wall applications.

The refrigeration system is hermetically sealed at manufacture and is generally considered to be non-field-serviceable. The air-cooled compressor pumps refrigerant through the fan-cooled condenser and a capillary tube (expansion valve) to the cooling tank evaporator. The evaporator is wrapped around the cooling tank for high efficiency.

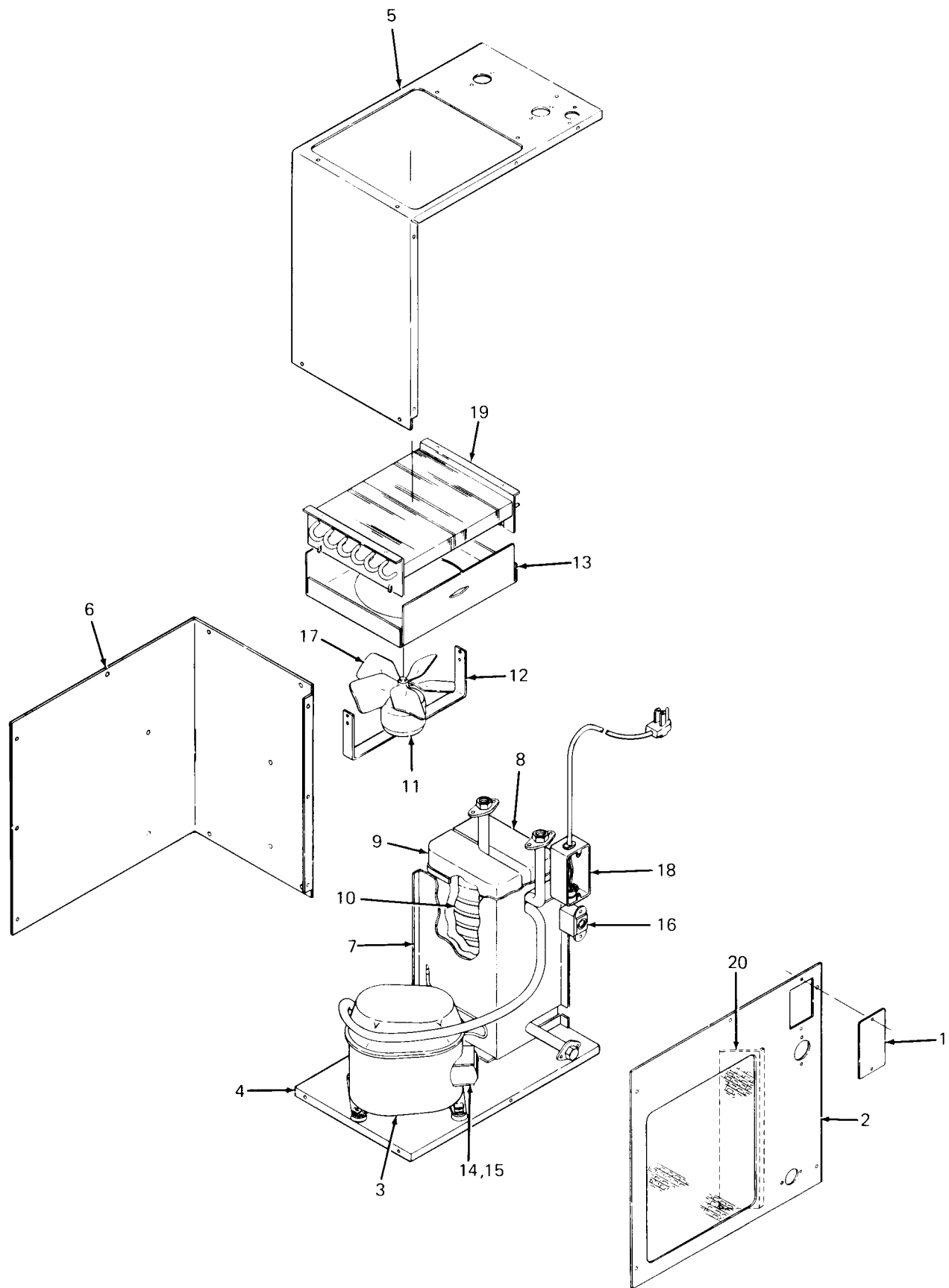
The electrical circuit includes automatic overload protection, and an adjustable cold control for water temperature regulation.

## SPECIFICATIONS

Voltage	115 VAC ±10%/1PH/60 Hertz		
Size (Approx)	16-1/2" H., 16-1/2" W., 10-1/2" D.		
Shipping Weight (Approx)	49 LBS.		
	Models	IWR8-1	IWR12
Cold Water Capacity (GPH)		8	12
Compressor (HP)		1/5	1/3
Compressor Amps (Full Load)		5.0	8.3
Refrigerant		R-12	R-500
Refrigerant Charge		6-1/2 OZ.	5-1/2 OZ.

\*A.R.I. Rating: Room Temperature 90°F; Supply Water Temperature 80°F; Drinking Water Temperature 50°F.

Specifications subject to change without notice.



## PARTS LIST

ITEM NO.	DESCRIPTION	IWR8-1	IWR12
1	Utility Box Cover .....	023877	023877
2	Front Panel .....	025619	025619
3	Compressor Assembly (Includes Items 14 and 15) .....	027256-002	027495-005
4	Base .....	025614	025614
5	Top and Side Panel .....	025615	025615
6	Rear and Side Panel .....	025616	025616
7	Fire Barrier .....	025620	025620
8	Cooling Tank Insulation, RH .....	025114	025114
9	Cooling Tank Insulation, LH .....	025115	025115
10	Insulated Cooling Tank Assembly .....	025630	027899-001
11	Fan Motor .....	027354-009	027354-017
12	Fan Motor Bracket .....	017530	017530
13	Fan Shroud .....	017821	017821
14	Overload .....	017977	019603
15	Relay .....	017978	019434
16	Cold Control .....	027040-007	027040-007
17	Fan Blade .....	024033	024033
18	Utility Box .....	025639	025639
19	Condenser .....	025757	027896-001
20	Shield .....	025734	025734

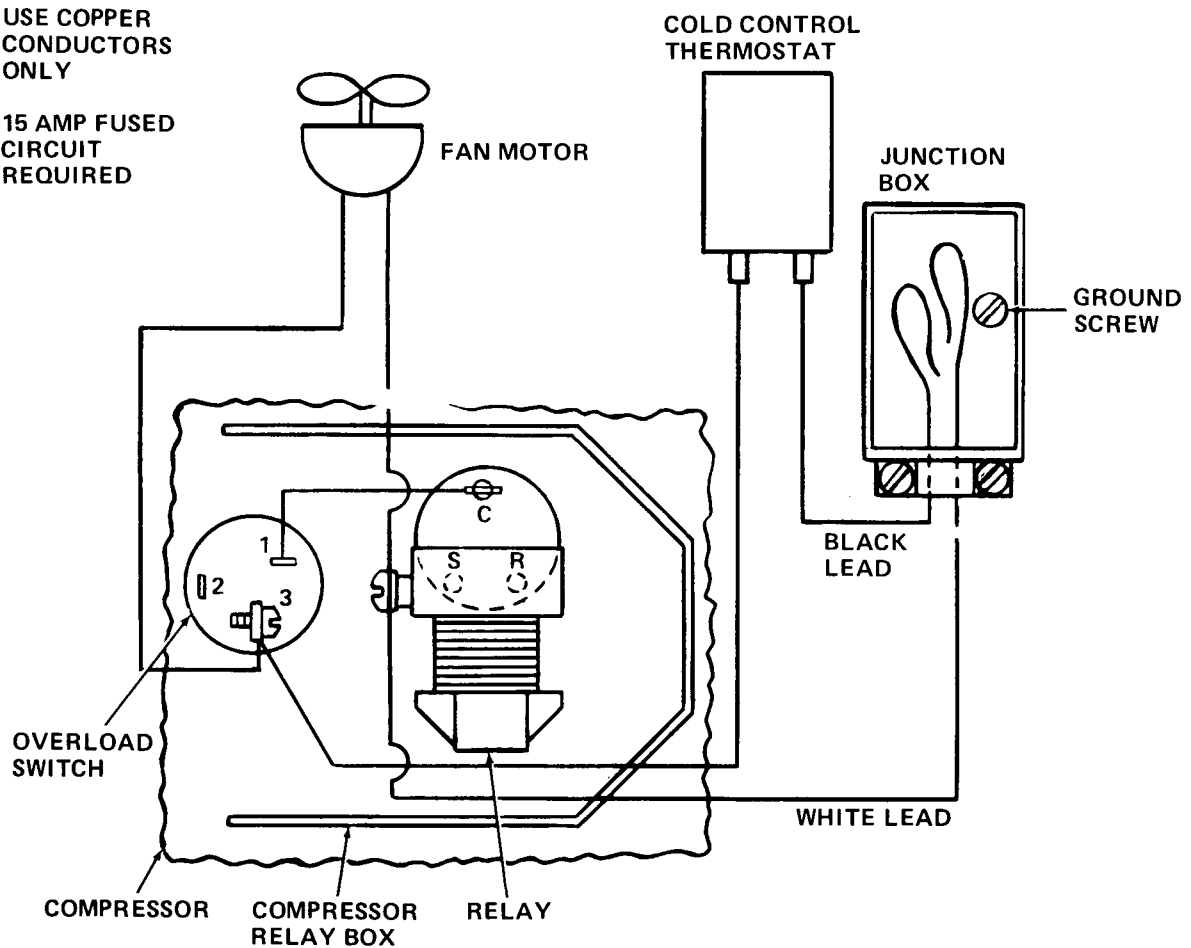
## SERVICE CHECK CHART

TROUBLE	PROBABLE CAUSE	REMEDY
Unit not running	No electrical power  Defective cold control Defective relay	Check power source Check that cold control is not in off position Replace Replace
Unit running but not cooling	Refrigerant leak or low refrigerant	Add refrigerant
Unit running continuously	Defective cold control Low refrigerant	Replace Add refrigerant

### ELECTRICAL DIAGRAM

USE COPPER CONDUCTORS ONLY

15 AMP FUSED CIRCUIT REQUIRED



**EBCO**® MANUFACTURING COMPANY

265 N. Hamilton Rd. • P.O. Box 13150 • Columbus, OH 43213 0150 • 614/861-1350 • Cable: EBCO • Telex: 246637