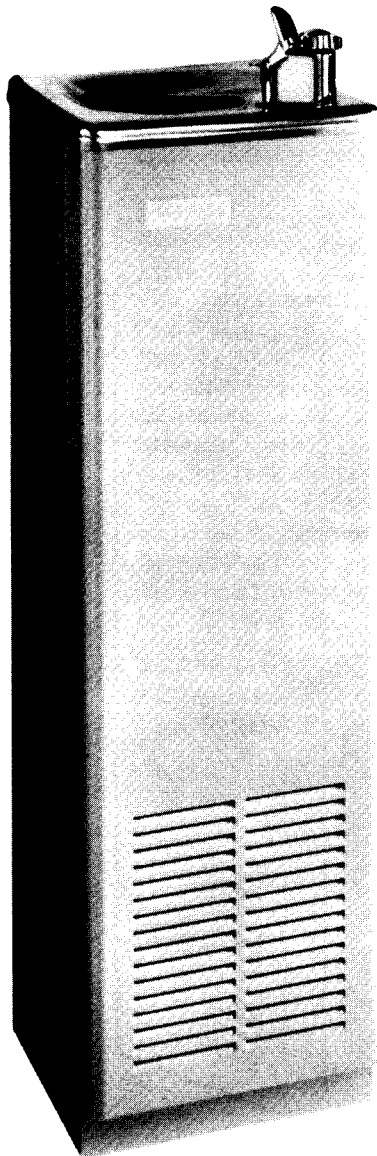


# SERVICE INSTRUCTIONS

...with Illustrated Parts Breakdown

## EBCO<sup>®</sup>

### WATER COOLER MODEL: CP8



#### DESCRIPTION

This model provides drinking water cooled to 50°F at 8 gallons per hour. This unit is free-standing and requires connections to supply water, electrical power, and waste drain.

The refrigeration system is hermetically sealed at manufacture and is generally considered to be non-field-serviceable. The air-cooled compressor pumps refrigerant through the fan-cooled condenser and a capillary tube (expansion valve) to the cooling tank evaporator. The evaporator is wrapped around the cooling tank for high efficiency.

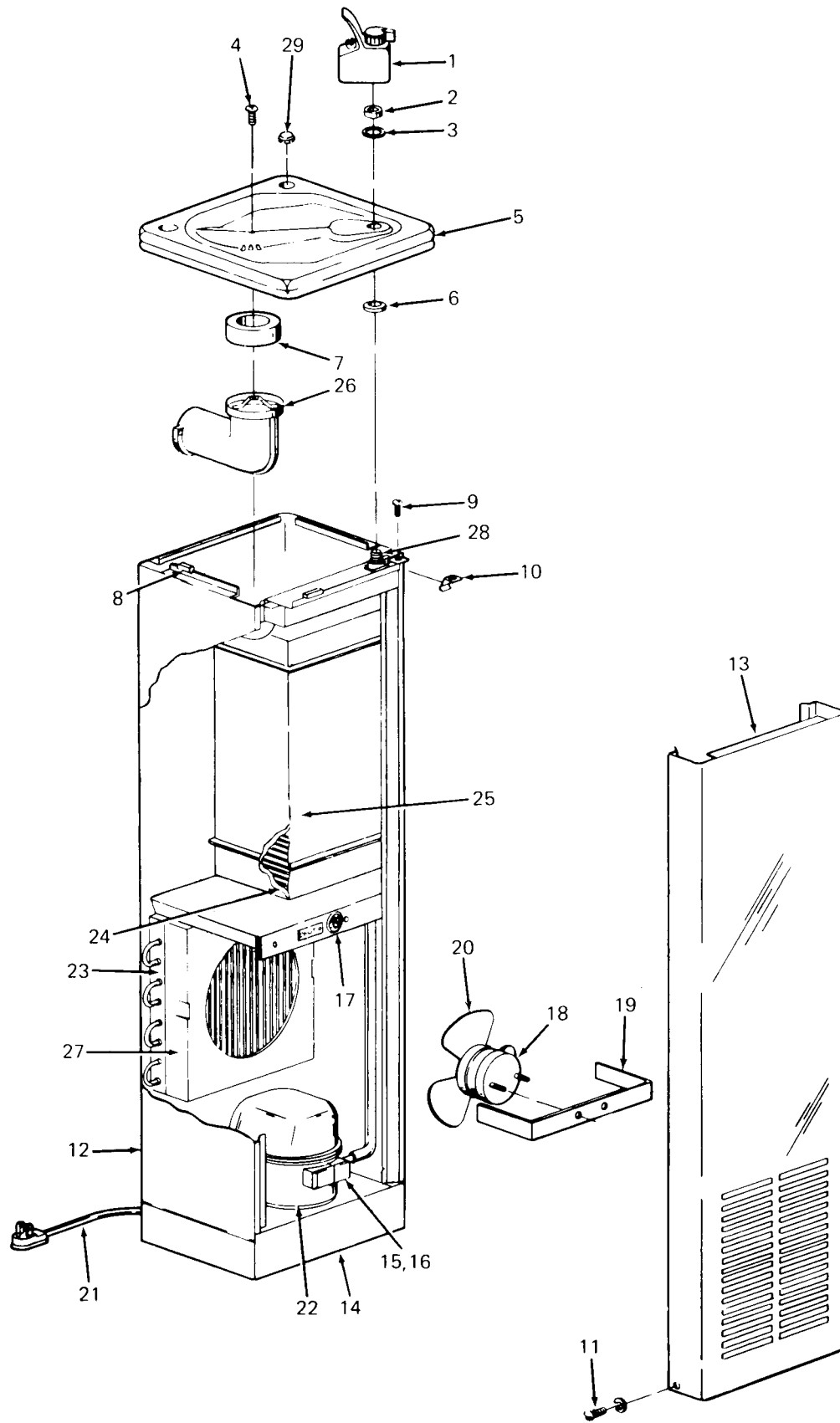
The electrical circuit includes automatic overload protection and adjustable cold control for water temperature regulation.

#### SPECIFICATIONS

Voltage	115 VAC $\pm$ 10%/1PH/60 Hertz
Size (Approx)	40" H., 12" W., 12" D.
Shipping Weight (Approx)	70 LBS.
Cold Water Capacity (GPH)	8
Compressor (HP)	1/4
Compressor Amps (Full Load)	6.0
Refrigerant	R-500
Refrigerant Charge	5-1/2 OZ.

\*A.R.I. Rating: Room Temperature 90°F; Supply Water Temperature 80°F; Drinking Water Temperature 50°F.

Specifications subject to change without notice.



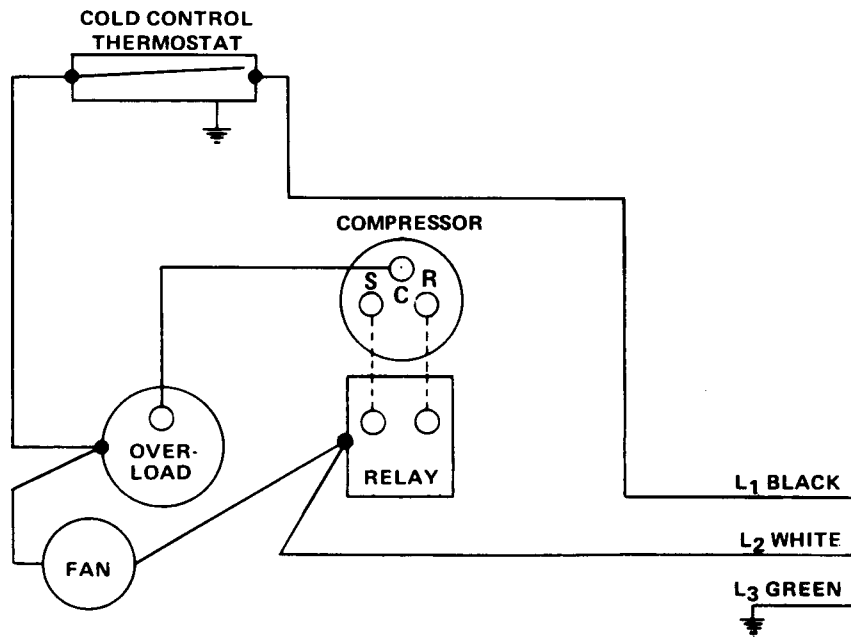
## PARTS LIST

ITEM NO.	DESCRIPTION	CP8
1	12000 Bubbler Valve .....	026551-002
2	Valve Body Gasket .....	008983
3	Friction Washer .....	009281
4	Top Screw .....	026655-002
5	Top .....	024491
6	Gasket .....	010545
7	Waste Gasket .....	019131
8	Top Pad .....	011641
9	Screw .....	026630-011
10	Speed Nut .....	012253
11	Screw .....	026630-015
12	Cabinet Assembly – Tan .....	019687-001
	Cabinet Assembly – Olive Beige .....	024465-001
	Cabinet Assembly – Stainless Steel .....	019687-003
13	Front Panel – Tan .....	017528-001
	Front Panel – Olive Beige .....	024464
	Front Panel – Stainless Steel .....	017528-002
14	Base Assembly – Tan .....	021412-001
	Base Assembly – Olive Beige .....	021412-003
	Base Assembly – Stainless Steel .....	021412-005
15	Starting Relay .....	018461
16	Overload .....	017977
17	Cold Control .....	027040-007
18	Fan Motor .....	027354-008
19	Fan Motor Bracket .....	017530
20	Fan Blade .....	022977
21	Service Cord .....	026540-005
22	Compressor (Includes Items 15 and 16) .....	027495-006
23	Condenser .....	018252
24	Insulated Cooling Tank Assembly .....	027018-001
25	Cooling Tank Insulation, RH .....	025114
	Cooling Tank Insulation, LH .....	025115
26	Insulated Waste Assembly .....	024455
27	Fan Shroud .....	017821
28	Spud Bubbler Supply .....	016997
29	Hole Cover .....	016994
	<b>ACCESSORY PARTS</b>	
	Glassfiller Installation Kit .....	018840
	Foot Pedal Kit .....	N/A

## SERVICE CHECK CHART

TROUBLE	PROBABLE CAUSE	REMEDY
Unit not running	No electrical power  Defective cold control Defective relay	Check power source Check that cold control is not in off position Replace Replace
Unit running but not cooling	Refrigerant leak or low refrigerant	Add refrigerant
Unit running continuously	Defective cold control Low refrigerant	Replace Add refrigerant

### ELECTRICAL DIAGRAM



**EBCO<sup>®</sup>** MANUFACTURING COMPANY

265 N. Hamilton Rd. • P.O. Box 13150 • Columbus, OH 43213-0150 • 614/861-1350 • Fax: 614/861-5017