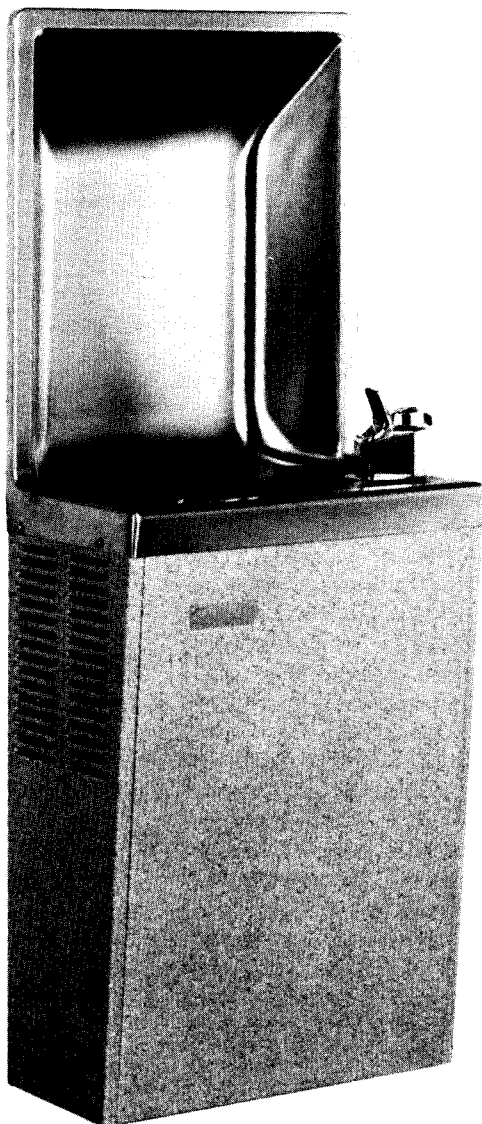


SERVICE INSTRUCTIONS

...with Illustrated Parts Breakdown

EBCO[®]

WATER COOLER MODELS: DP5S-3, DP5S-D



DESCRIPTION

These models provide drinking water cooled to 50°F at 5 gallons per hour. These units mount semi-recessed into a wall and require connections to supply water, electrical power, and waste drain.

The refrigeration system is hermetically sealed at manufacture and is generally considered to be non-field-serviceable. The air-cooled compressor pumps refrigerant through the fan-cooled condenser and a capillary tube (expansion valve) to the cooling tank evaporator. The evaporator is wrapped around the cooling tank for high efficiency.

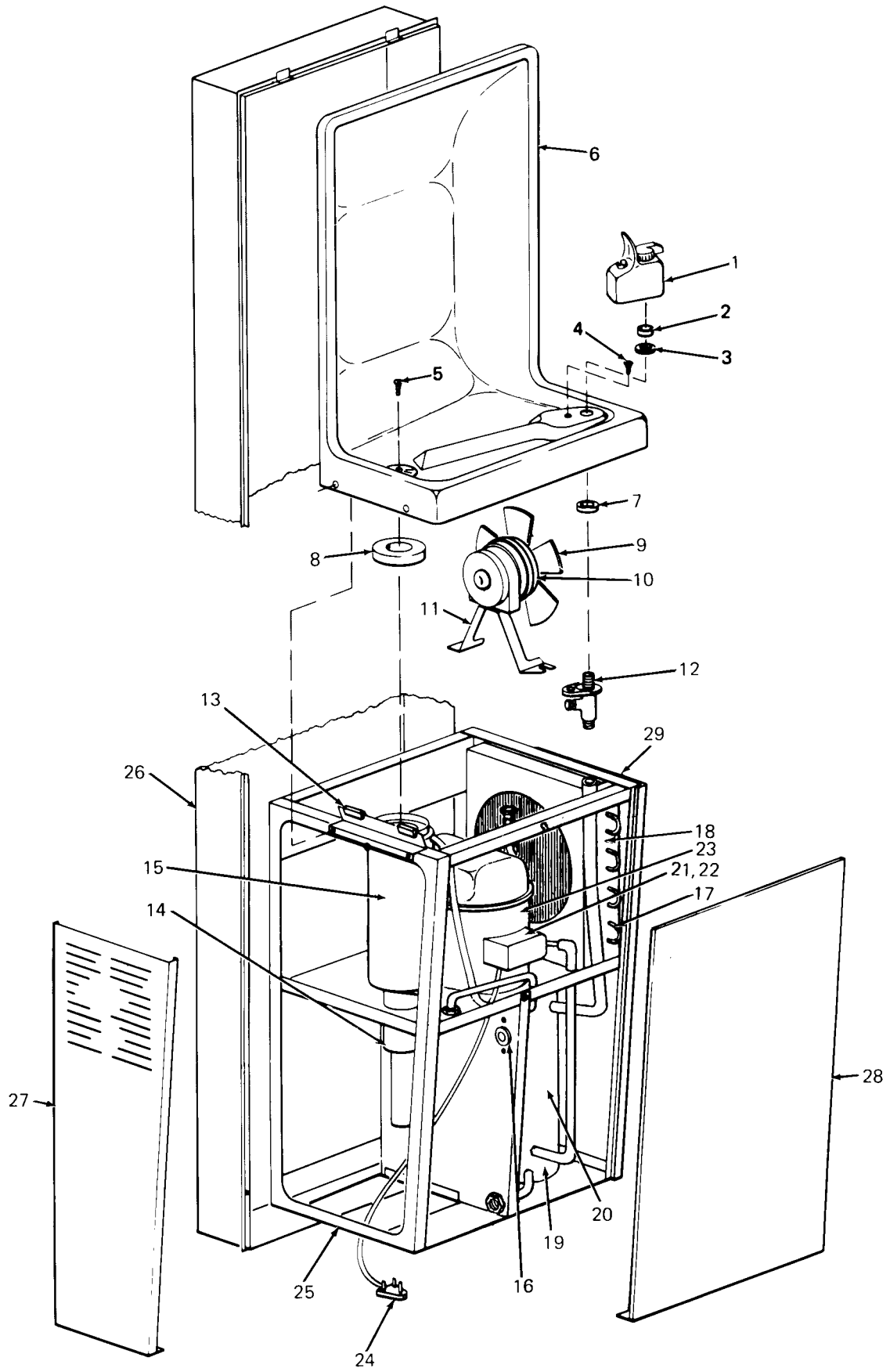
The electrical circuit includes automatic overload protection, and an adjustable cold control for water temperature regulation.

SPECIFICATIONS

Voltage	115 VAC ±10%/1PH/60 Hertz		
Size (Approx)	45" H., 17" W., 10" D.		
Shipping Weight (Approx)	63 LBS.		
	Models	DP5S-3	DP5S-D
Cold Water Capacity (GPH)		5	5
Compressor (HP)		1/12	1/12
Compressor Amps (Full Load)		1.8	2.0
Refrigerant		R-12	R-12
Refrigerant Charge		3-5/8 OZ.	3-5/8 OZ.

* A.R.I. Rating: Room Temperature 90°F; Supply Water Temperature 80°F; Drinking Water Temperature 50°F.

Specifications subject to change without notice.



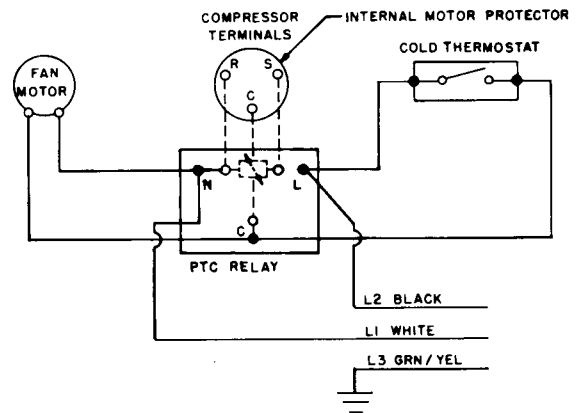
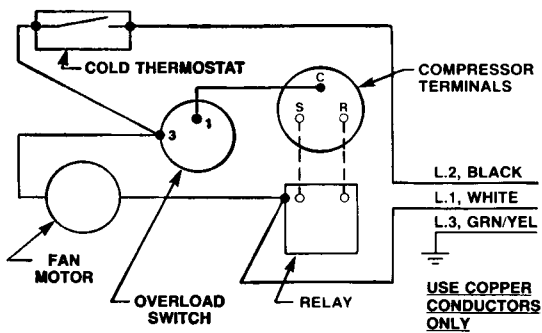
PARTS LIST

ITEM NO.	DESCRIPTION	DP5S-3	DP5S-D
1	12000 Bubbler Valve	026551-002	026551-002
2	Valve Body Gasket	008983	008983
3	Friction Washer	009281	009281
4	Bubbler Spud Screw	026680-005	026680-005
5	Drain Screw	026655-002	026655-002
6	Semi-recessed Top	017929	017929
7	Bubbler Spud Gasket	010545	010545
8	Waste Gasket	018050	018050
9	Fan Blade	019199	019199
10	Fan Motor	027354-020	027354-020
11	Fan Motor Bracket	018559	018559
12	Bubbler Supply Spud	025136	025136
13	Top Support Angle	018014	018014
14	Precooler	025198-001	025198-001
15	Precooler Insulation	018059-003	018059-003
16	Cold Control	027040-007	027040-007
17	Condenser	027297-001	027297-001
18	Fan Condenser Shroud	019198	019198
19	Insulated Cooling Tank Assembly	027338-001	027338-001
20	Cooling Tank Insulation (2 Required)	018797	018797
21	Relay	027267-002	026867
22	Overload	027268-001	---
23	Compressor (Includes Items 21 and 22)	027244-001	---
	Compressor (Includes Item 21)	---	026868-002
24	Service Cord	026540-013	026540-013
25	Frame Assembly	025145	025145
26	Wall Mounting Box	020530	020530
27	Left Side Panel – Painted Tan	021869L	021869L
	Left Side Panel – Chestnut	018961-001	018961-001
	Left Side Panel – Charcoal	018962L	018962L
	Left Side Panel – Walnut	018964L	018964L
	Left Side Panel – Stainless Steel	018963L	018963L
	Left Side Panel – Sandstone	018961-003	018961-003
	Left Side Panel – Painted Lt. Beige	021869L	021869L
	Left Side Panel – Beige Vinyl	024484	024484
28	Front Panel – Painted Tan	021871	021871
	Front Panel – Chestnut	019644-001	019644-001
	Front Panel – Charcoal	019645	019645
	Front Panel – Walnut	019647	019647
	Front Panel – Stainless Steel	019646	019646
	Front Panel – Sandstone	019644-002	019644-002
	Front Panel – Painted Lt. Beige	024638	024638
	Front Panel – Beige Vinyl	023323	023323
29	Right Side Panel – Painted Tan	021869R	021869R
	Right Side Panel – Chestnut	018961-002	018961-002
	Right Side Panel – Charcoal	018962R	018962R
	Right Side Panel – Walnut	018964R	018964R
	Right Side Panel – Stainless Steel	018963R	018963R
	Right Side Panel – Sandstone	018961-004	018961-004
	Right Side Panel – Painted Lt. Beige	021869R	021869R
	Right Side Panel – Beige Vinyl	024483	024483

SERVICE CHECK CHART

TROUBLE	PROBABLE CAUSE	REMEDY
Unit not running	No electrical power Defective cold control Defective relay	Check power source Check that cold control is not in off position Replace Replace
Unit running but not cooling	Refrigerant leak or low refrigerant	Add refrigerant
Unit running continuously	Defective cold control Low refrigerant	Replace Add refrigerant

ELECTRICAL DIAGRAM



EBCO[®] MANUFACTURING COMPANY

265 N. HAMILTON RD. • COLUMBUS, OHIO 43213-1383 • PHONE 614/861-1350 • CABLE: EBCO • TELEX: 246637