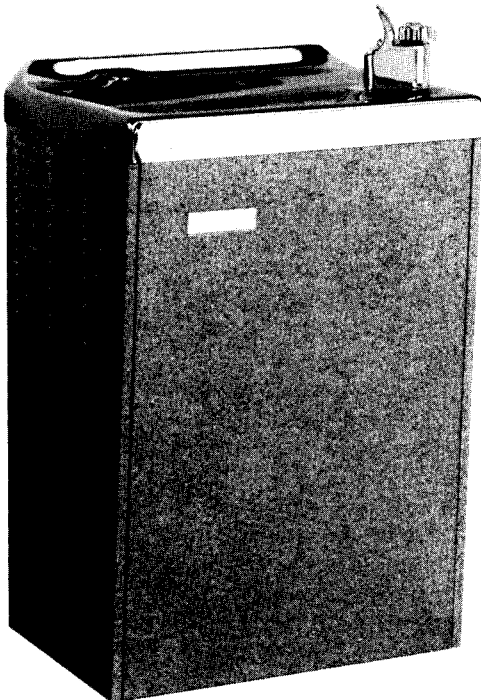


SERVICE INSTRUCTIONS

...with Illustrated Parts Breakdown

EBCO[®]

WATER COOLER MODELS: DP5M-3, DP5M-D



DESCRIPTION

These models provide drinking water cooled to 50°F at 5 gallons per hour. These units mount on a wall and require connections to supply water, electrical power, and waste drain.

The refrigeration system is hermetically sealed at manufacture and is generally considered to be non-field-serviceable. The air-cooled compressor pumps refrigerant through the fan-cooled condenser and a capillary tube (expansion valve) to the cooling tank evaporator. The evaporator is wrapped around the cooling tank for high efficiency.

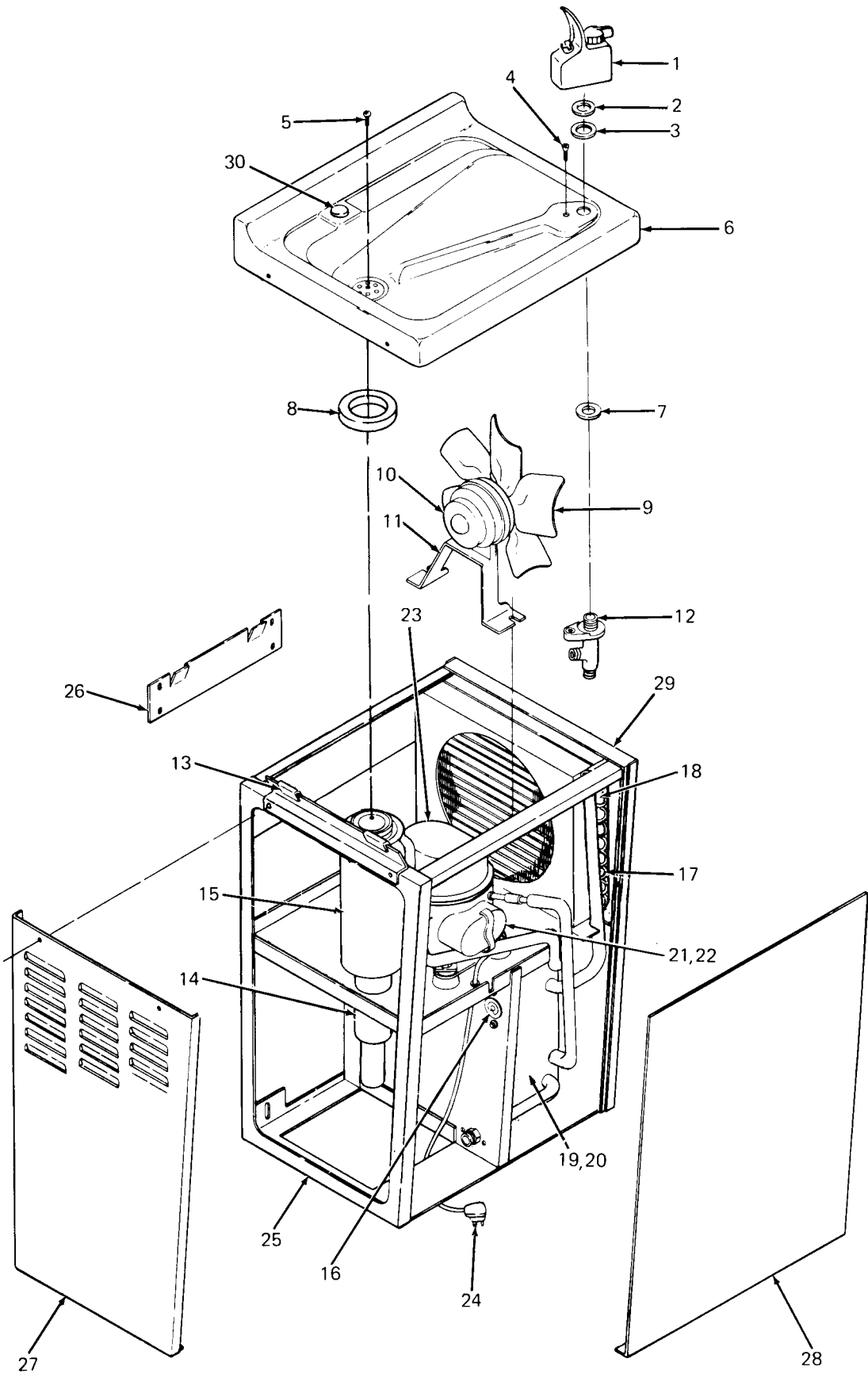
The electrical circuit includes automatic overload protection, and an adjustable cold control for water temperature regulation.

SPECIFICATIONS

| | | | |
|--------------------------------|---------------------------|-----------|-----------|
| Voltage | 115 VAC ±10%/1PH/60 Hertz | | |
| Size (Approx) | 26" H., 17" W., 13" D. | | |
| Shipping Weight (Approx) | 60 LBS. | | |
| | Models | DP5M-3 | DP5M-D |
| Cold Water Capacity (GPH) | | 5 | 5 |
| Compressor (HP) | | 1/12 | 1/12 |
| Compressor Amps (Full Load) | | 1.8 | 2.0 |
| Refrigerant | | R-12 | R-12 |
| Refrigerant Charge | | 3-5/8 OZ. | 3-5/8 OZ. |

*A.R.I. Rating: Room Temperature 90°F; Supply Water Temperature 80°F; Drinking Water Temperature 50°F.

Specifications subject to change without notice.



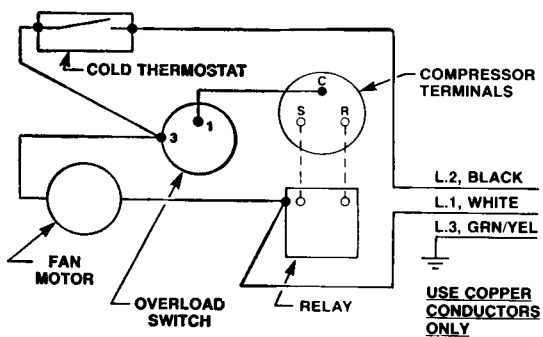
PARTS LIST

| ITEM NO. | DESCRIPTION | DP5M-3 | DP5M-D |
|----------|---|------------|------------|
| 1 | 12000 Bubbler Valve | 026551-002 | 026551-002 |
| 2 | Valve Body Gasket | 008983 | 008983 |
| 3 | Friction Washer | 009281 | 009281 |
| 4 | Bubbler Spud Screw | 026680-005 | 026680-005 |
| 5 | Drain Screw | 026655-002 | 026655-002 |
| 6 | Top | 017930-002 | 017930-002 |
| 7 | Bubbler Spud Gasket | 010545 | 010545 |
| 8 | Waste Gasket | 018050 | 018050 |
| 9 | Fan Blade | 019199 | 019199 |
| 10 | Fan Motor | 027354-020 | 027354-020 |
| 11 | Fan Motor Bracket | 018559 | 018559 |
| 12 | Bubbler Supply Spud | 025136 | 025136 |
| 13 | Top Support Angle | 018014 | 018014 |
| 14 | Precooler | 025198-001 | 025198-001 |
| 15 | Precooler Insulation | 018059-003 | 018059-003 |
| 16 | Cold Control | 027040-007 | 027040-007 |
| 17 | Condenser | 027297-001 | 027297-001 |
| 18 | Fan Condenser Shroud | 019198 | 019198 |
| 19 | Insulated Cooling Tank Assembly | 027338-001 | 027338-001 |
| 20 | Cooling Tank Insulation (2 Required) | 018797 | 018797 |
| 21 | Relay | 027267-002 | 026867 |
| 22 | Overload | 027268-001 | --- |
| 23 | Compressor (Includes Items 21 and 22) | 027244-001 | --- |
| | Compressor (Includes Item 21) | --- | 026868-002 |
| 24 | Service Cord | 026540-013 | 026540-013 |
| 25 | Frame Assembly | 025145 | 025145 |
| 26 | Hanger Bracket and Barrier Assembly | 025662-001 | 025662-001 |
| 27 | Left Side Panel – Painted Tan | 021866L | 021866L |
| | Left Side Panel – Chestnut | 018937-001 | 018937-001 |
| | Left Side Panel – Charcoal | 018938L | 018938L |
| | Left Side Panel – Walnut | 018940L | 018940L |
| | Left Side Panel – Stainless Steel | 018939L | 018939L |
| | Left Side Panel – Sandstone | 018937-003 | 018937-003 |
| | Left Side Panel – Painted Lt. Beige | 024643 | 024643 |
| | Left Side Panel – Beige Vinyl | 024556 | 024556 |
| 28 | Front Panel – Painted Tan | 021871 | 021871 |
| | Front Panel – Chestnut | 019644-001 | 019644-001 |
| | Front Panel – Charcoal | 019645 | 019645 |
| | Front Panel – Walnut | 019647 | 019647 |
| | Front Panel – Stainless Steel | 019646 | 019646 |
| | Front Panel – Sandstone | 019644-002 | 019644-002 |
| | Front Panel – Painted Lt. Beige | 024638 | 024638 |
| | Front Panel – Beige Vinyl | 023323 | 023323 |
| 29 | Right Side Panel – Painted Tan | 021866R | 021866R |
| | Right Side Panel – Chestnut | 018937-002 | 018937-002 |
| | Right Side Panel – Charcoal | 018938R | 018938R |
| | Right Side Panel – Walnut | 018940R | 018940R |
| | Right Side Panel – Stainless Steel | 018939R | 018939R |
| | Right Side Panel – Sandstone | 018937-004 | 018937-004 |
| | Right Side Panel – Painted Lt. Beige | 024644 | 024644 |
| | Right Side Panel – Beige Vinyl | 024577 | 024577 |
| 30 | Hole Cover | 017604-001 | 017604-001 |

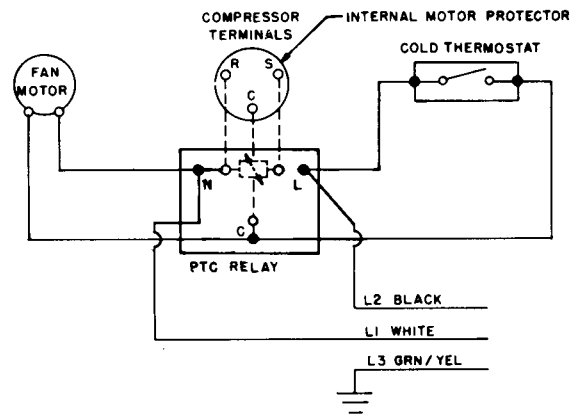
SERVICE CHECK CHART

| TROUBLE | PROBABLE CAUSE | REMEDY |
|------------------------------|--|--|
| Unit not running | No electrical power Defective cold control Defective relay | Check power source Check that cold control is not in off position Replace Replace |
| Unit running but not cooling | Refrigerant leak or low refrigerant | Add refrigerant |
| Unit running continuously | Defective cold control Low refrigerant | Replace Add refrigerant |

ELECTRICAL DIAGRAM



MODEL DP5M-3



MODEL DP5M-D

EBCO[®] MANUFACTURING COMPANY

265 N. HAMILTON RD. • COLUMBUS, OHIO 43213-1383 • PHONE 614/861-1350 • CABLE: EBCO • TELEX: 246637