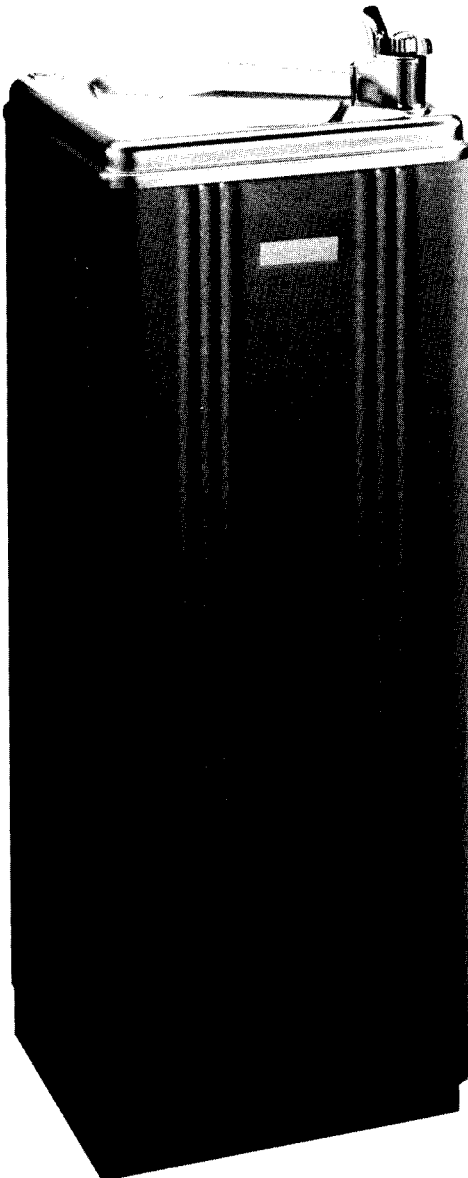


SERVICE INSTRUCTIONS

...with Illustrated Parts Breakdown

EBCO[®]

WATER COOLER MODELS: 7P-2, 7P-D, 13P-2, 13PL-2



DESCRIPTION

These models provide drinking water cooled to 50°F at 7 and 13 gallons per hour. The units are free-standing and self-supporting and require connections to supply water, electrical power, and waste drain.

The refrigeration system is hermetically sealed at manufacture and is generally considered to be non-field-serviceable. The air-cooled compressor pumps refrigerant through the fan-cooled condenser and a capillary tube to the cooling tank evaporator. The evaporator is wrapped around the cooling tank for high efficiency. A pre-cooler routes supply water around cold drain water to cool incoming water.

The electrical circuit includes automatic overload protection, and an adjustable cold control for water temperature regulation.

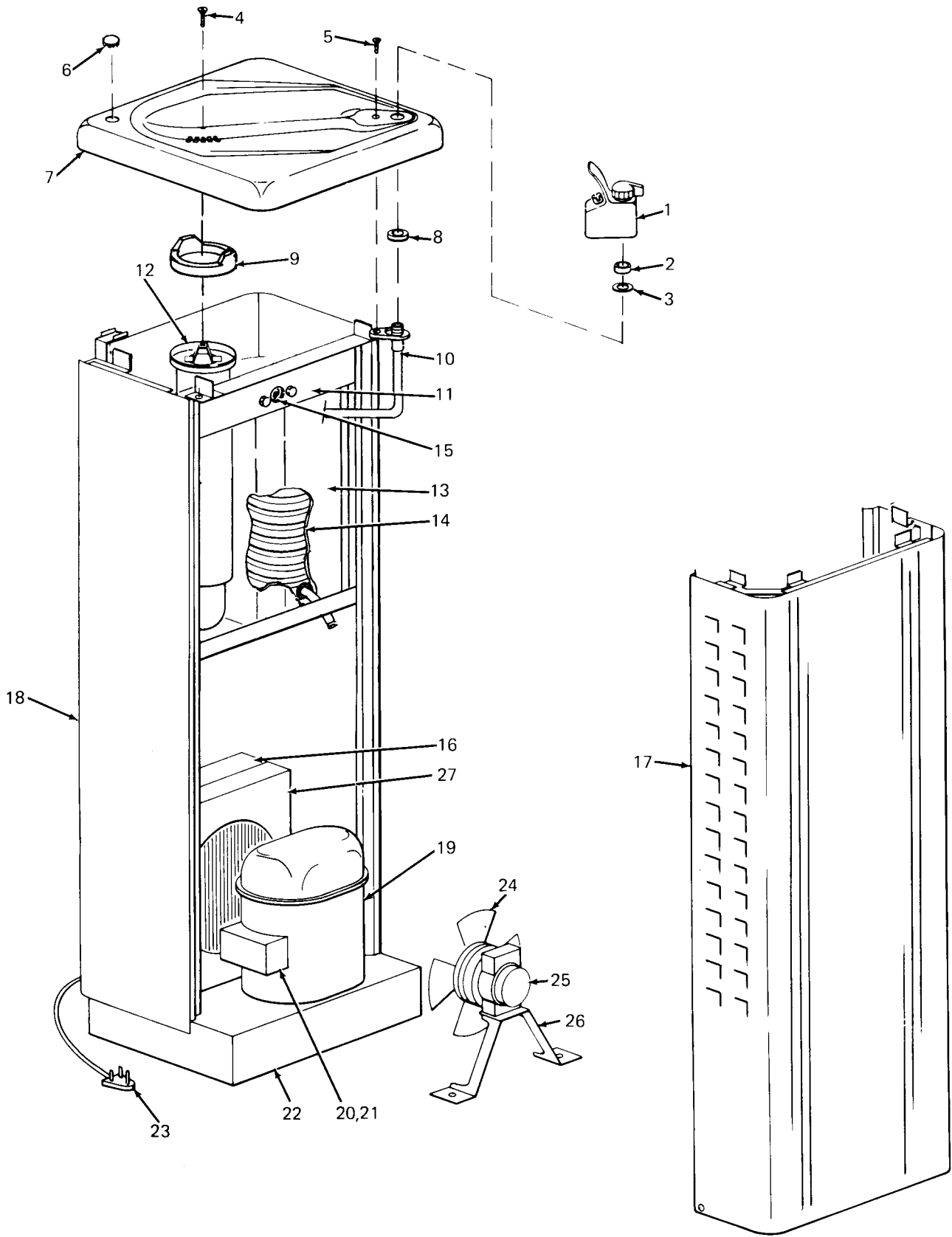
SPECIFICATIONS

Voltage	115 VAC ±10%/1PH/60 Hertz	
Size (Approx)	40" H., 15" W., 15" D.	
Shipping Weight (Approx)	84 LBS.	

	Models	7P-2	13P-2
		7P-D	13PL-2
Cold Water Capacity (GPH)		7	13
Compressor (HP)		1/8	1/5
Compressor Amps (Full Load)		2.5	5.0
Refrigerant		R-500	R-12
Refrigerant Charge		4-3/8 OZ.	5 OZ.

*A.R.I. Rating: Room Temperature 90°F; Supply Water Temperature 80°F; Drinking Water Temperature 50°F.

Specifications subject to change without notice.



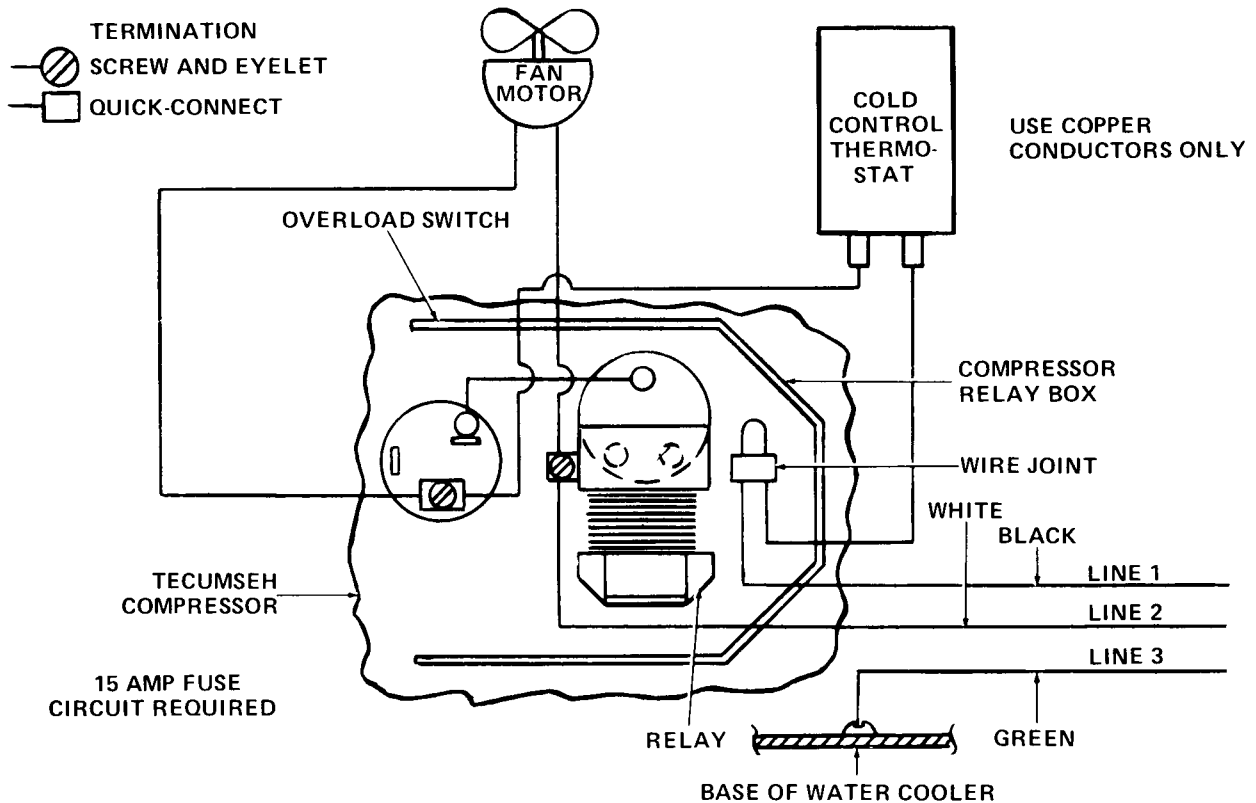
PARTS LIST

ITEM NO.	DESCRIPTION	7P-2	13P-2	13PL-2
		7P-D		
1	Bubbler Valve	026551-002	026551-002	026551-002
2	Valve Body Gasket	008983	008983	008983
3	Friction Washer	009281	009281	009281
4	Drain Screw	026655-002	026655-002	026655-002
5	Spud Screw	026680-005	026680-005	026680-005
6	Hole Cover	016994	016994	016994
7	New Style Top	015444	015444	015444
8	Supply Spud Gasket	010545	010545	010545
9	Waste Gasket	027389-001	027389-001	027389-001
10	Top Supply Line	027411-002	027411-002	027411-002
11	Upper Cabinet Bracket	027407-001	027407-001	027407-001
12	Insulated Precooler Assembly	027412-001	027412-001	027412-001
13	Cooling Tank Insulation (2 Required)	018797	---	---
	Cooling Tank Insulation – Right	---	025114	025114
	Cooling Tank Insulation – Left	---	025115	025115
14	Insulated Cooling Tank	027443-100	027474-100	027474-100
15	Cold Control	027040-007	027040-007	027040-007
16	Condenser	018252	018252	018252
17	Front Panel – Tan	024442-005	024442-005	024442-009
	Front Panel – Stainless Steel	024442-003	024442-003	024442-011
18	Cabinet – Tan	015570-002	015570-002	015569-002
	Cabinet – Stainless Steel	015570-005	015570-005	015569-005
19	Compressor (Includes Items 20 and 21)	027245-001	027256-002	027256-002
	Compressor – Danfoss (Includes Item 21)	026868-003	---	---
20	Overload	027268-002	017977	017977
21	Relay	027267-003	017978	017978
	Relay – Danfoss	026867	---	---
22	Base – Tan	018560-001	018560-001	018560-001
	Base – Stainless Steel	018560-004	018560-004	018560-004
23	Service Cord	026540-003	026540-005	026540-005
24	Fan Blade	019199	022977	022977
25	Fan Motor	027354-020	027354-008	027354-008
26	Fan Bracket	017530	017530	017530
27	Fan Shroud	017821	017821	017821
NOT SHOWN	Insulated Heat Exchanger	027442-001	027470-001	027470-002

SERVICE CHECK CHART

TROUBLE	PROBABLE CAUSE	REMEDY
Unit not running	No electrical power Defective cold control Defective relay	Check power source Check that cold control is not in off position Replace Replace
Unit running but not cooling	Refrigerant leak or low refrigerant	Add refrigerant
Unit running continuously	Defective cold control Low refrigerant	Replace Add refrigerant

ELECTRICAL DIAGRAM



EBCO[®] MANUFACTURING COMPANY

265 N. Hamilton Rd. • P.O. Box 13150 • Columbus, OH 43213-0150 • 614/861-1350 • Cable: EBCO • Fax: 614/861-5017