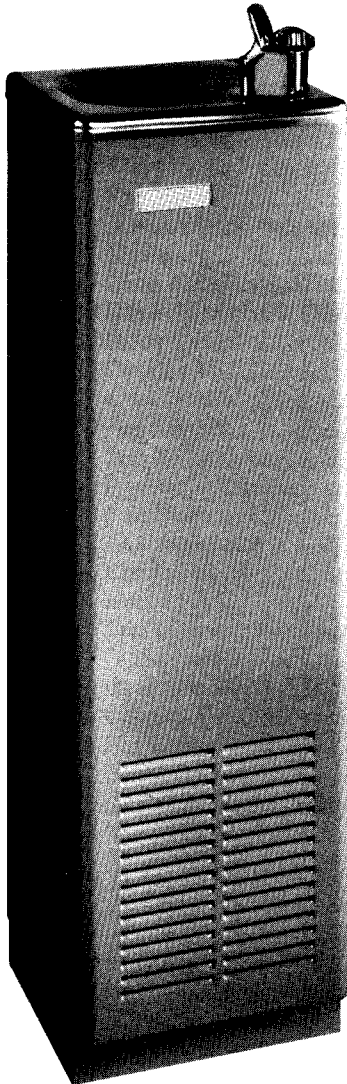


SERVICE INSTRUCTIONS

...with Illustrated Parts Breakdown

EBCO[®]

WATER COOLER MODELS:
CP3H-Z, CP3H-1-P, CP3-Z, CP3-P,
WEEH03-003, WEEH03-005,
WEEC03-003, WEEC03-002



DESCRIPTION

These models provide drinking water cooled to 50°F at 3 gallons per hour. The CP3H also provides 45 cups per hour of 185°F hot water. These units are free-standing and require connections to supply water, electrical power, and waste drain.

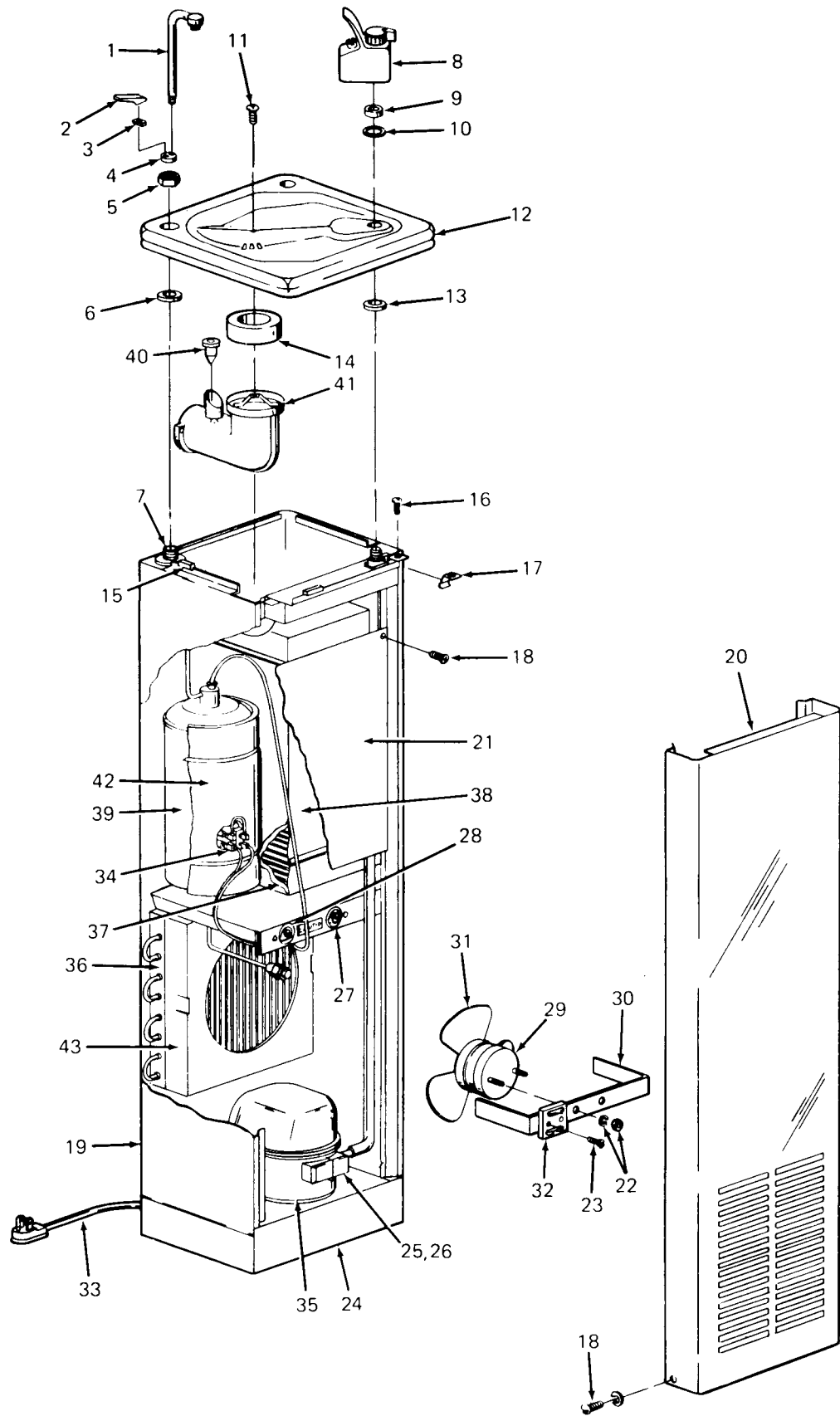
The refrigeration system is hermetically sealed at manufacture and is generally considered to be non-field-serviceable. The air-cooled compressor pumps refrigerant through the fan-cooled condenser and a capillary tube (expansion valve) to the cooling tank evaporator. The evaporator is wrapped around the cooling tank for high efficiency.

The hot tank is vented to atmospheric pressure through the two-way action of the hot faucet, eliminating the need for pressure/temperature devices and allowing outgassing of water additives.

The electrical circuit includes automatic overload protection, adjustable hot and cold controls for water temperature regulation, and a switch to cut off the hot water system.

SPECIFICATIONS

Voltage	115 VAC \pm 10%/1PH/60 Hertz
Size	40" H., 12" W., 12" D.
Shipping Weight (Approx)	80 LBS.
Cold Water Capacity	3 GPH
Compressor	1/8 HP
Compressor (Full Load)	
CP3-P	3.2 Amps
CP3-Z	2.4 Amps
CP3H-1-P	7.5 Amps
CP3H-Z	6.0 Amps
Refrigerant	R-12
Refrigerant Charge	3-3/8 OZ.
Hot Water Capacity	45 Cups/HR.
Hot Water Temperature Range	150° -185°F



**MODELS: CP3H-Z, CP3H-1-P, CP3-Z, CP3-P,
WEEH03-003, WEEH03-005, WEEC03-003, WEEC03-002**

REPLACEMENT PARTS LIST

ITEM NO.	DESCRIPTION	CP3H-Z WEEH03-003	CP3H-1-P WEEH03-005	CP3-Z WEEC03-003	CP3-P WEEC03-002
1	Gooseneck Assembly	017590	017590	---	---
2	Handle	017925	017925	---	---
3	Tee Nut	017926	017926	---	---
4	Cap	017927	017927	---	---
5	Nut	017583	017583	---	---
6	Gasket	017582	017582	---	---
7	Valve Body and Stem Assembly	026281	026281	---	---
8	12000 Bubbler Valve	030774-002	030774-002	030774-002	030774-002
9	Valve Body Gasket	008983	008983	008983	008983
10	Friction Washer	009281	009281	009281	009281
11	Top Screw	026655-002	026655-002	026655-002	026655-002
12	Top	028837-002	028837-002	028837-002	028837-002
13	Gasket	010545	010545	010545	010545
14	Waste Gasket	019131	019131	019131	019131
15	Top Pad	011641	011641	011641	011641
16	Screw	026630-011	026630-011	026630-011	026630-011
17	Speed Nut Clip	012253	012253	012253	012253
18	Screw	026630-015	026630-015	026630-015	026630-015
19	Cabinet Assembly – Tan	019687-001	019687-001	019687-001	019687-001
	*Cabinet Assembly – Olive Beige, W/W	024465-001	024465-001	024465-001	024465-001
20	Front Panel – Tan	017528-001	017528-001	017528-001	017528-001
	*Front Panel – Olive Beige, W/W	024464	024464	024464	024464
21	Fire Barrier	017982	017982	017982	017982
22	Nut and Lock Washer	026824-015	026824-015	026824-015	026824-015
23	Screw	017541	017541	017541	017541
24	Base Assembly – Tan	021412-001	021412-001	021412-001	021412-001
	*Base Assembly – Olive Beige, W/W	021412-003	021412-003	021412-003	021412-003
25	Relay	027267-003	025335-001	027267-003	025335-001
26	Overload	027268-002	025336-001	027268-002	025336-001
27	Cold Control	027040-008	027040-008	027040-008	027040-008
28	Hot Control	027813-001	027813-001	---	---
29	Fan Motor	027354-008	027354-008	027354-008	027354-008
30	Fan Motor Bracket	017530	017530	017530	017530
31	Fan Blade	022977	022977	022977	022977
32	Terminal Base	023265	023265	---	---
33	Service Cord	026540-003	026540-003	026540-003	026540-003
34	Heat Limiter	024373-002	024373-002	---	---
35	Compressor (Includes Items 25 and 26)	027245-001	024025	027245-001	024025
36	Condenser	017531	017531	017531	017531
37	Insulated Cooling Tank Assembly	024756-002	024756-002	024756-001	024756-001
38	Cooling Tank Insulation (2 Required)	017599	017599	017599	017599
39	Hot Tank Assembly	027207-002	027207-002	---	---
40	Duckbill Check Valve	026274	026274	---	---
41	Insulated Waste Assembly	026308	026308	024455	024455
42	Hot Tank Insulation	019127	019127	---	---
43	Fan Shroud	023931	023931	023931	023931

NOT SHOWN

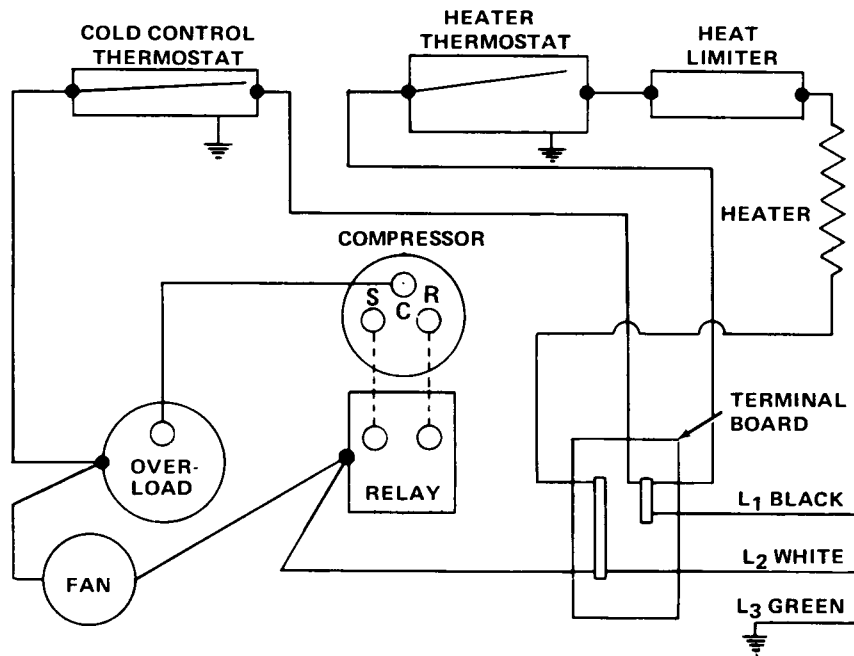
Hole Cover	016994	016994	016994	016994
Heat Exchanger Assembly	017833	017833	017833	017833

* W/W = White Westinghouse

SERVICE CHECK CHART

TROUBLE	PROBABLE CAUSE	REMEDY
Unit not running	No electrical power Defective cold control Defective relay	Check power source Check that cold control is not in off position Replace Replace
Unit running but not cooling	Refrigerant leak or low refrigerant	Add refrigerant
Unit running continuously	Defective cold control Low refrigerant	Replace Add refrigerant

ELECTRICAL DIAGRAM



EBCO® MANUFACTURING COMPANY

265 N. Hamilton Rd. • P.O. Box 13150 • Columbus, OH 43213-0150 • 614/861-1350 • Fax: 614/861-5017