



AQUARIUS
®

Kelvinator®

White-Westinghouse®

ILLUSTRATED PARTS BREAKDOWN

WATER COOLER MODELS:

CP1M-001P

PLF1CM-P

PLF1CM-D001

CP1M-001D

PLF1CM-P001

PLF1CMY-D

CP1M-001D5/6

PLF1CM-D

PLF1CMY-D001



SPECIFICATIONS

Models CP1M-P, CP1M-D, PLF1CM-P, PLF1CM-D, & PLF1CM-D001

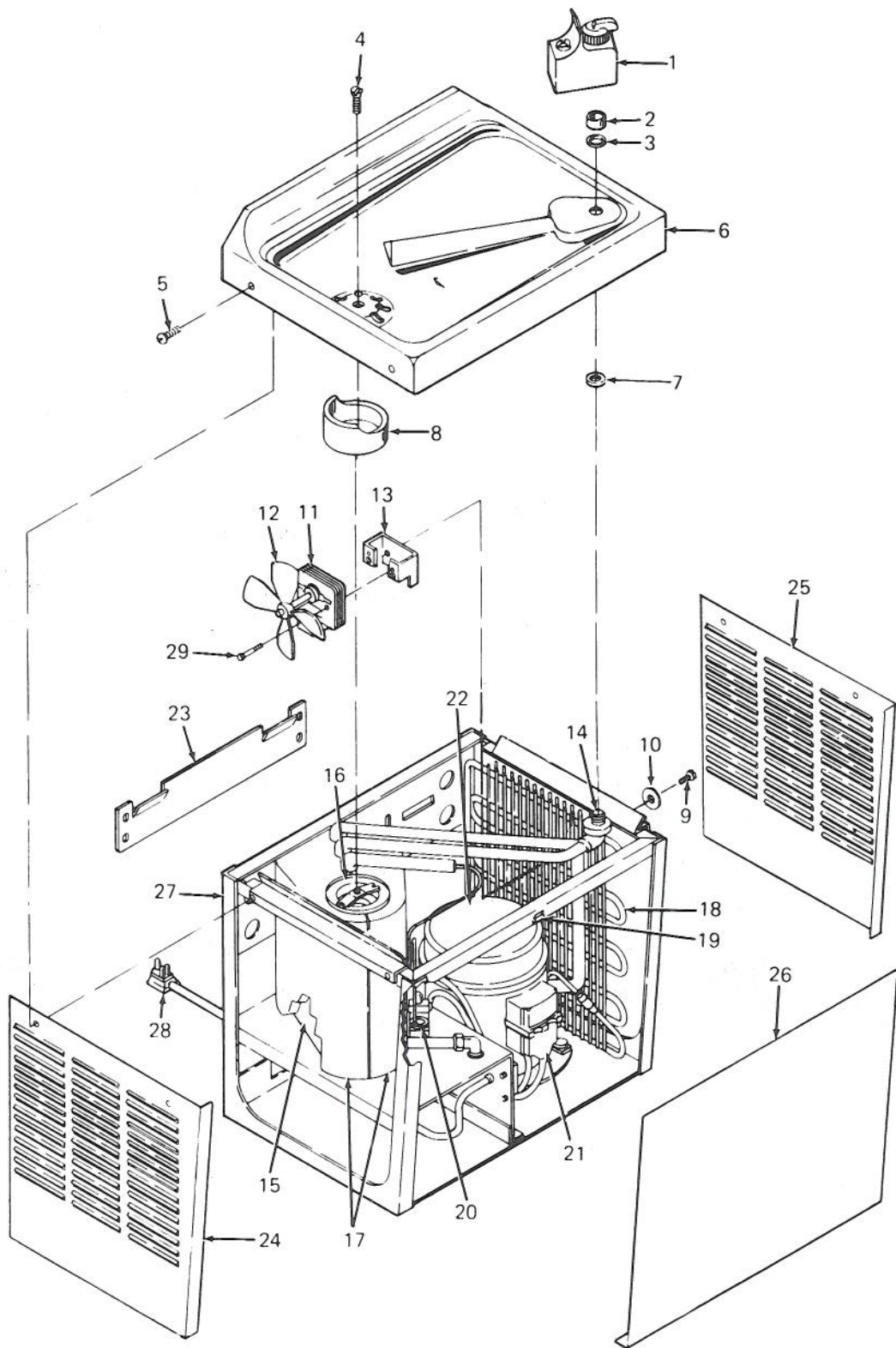
| | |
|-----------------------------------|---------------------------|
| Voltage | 115 VAC ±10%/1PH/60 Hertz |
| Size | 16" H., 17" W., 13" D. |
| Shipping Weight (Approx) | 42 LBS. |
| Cold Water Capacity* | 1 GPH |
| Compressor - All Models | 1/20 HP |
| Compressor (Full Load) (115 Volt) | 1.5 Amps |
| Refrigerant | R-12 |
| Refrigerant Charge | 1-7/8 OZ. |

Models CP1M-D5/6 & PLF1CMY-D

| | |
|-----------------------------------|--------------------------|
| Voltage | 220-240 VAC, 50/60 Hertz |
| Size | 16" H., 17" W., 13" D. |
| Shipping Weight (Approx) | 42 LBS. |
| Cold Water Capacity* | 1 GPH |
| Compressor - All Models | 1/20 HP |
| Compressor (Full Load) (220 Volt) | 1.0 Amps |
| Refrigerant | R-12 |
| Refrigerant Charge | 1-7/8 OZ. |

*A.R.I. Rating: Room Temperature 90°F; Supply Water Temperature 80°F; Drinking Water Temperature 50°F.

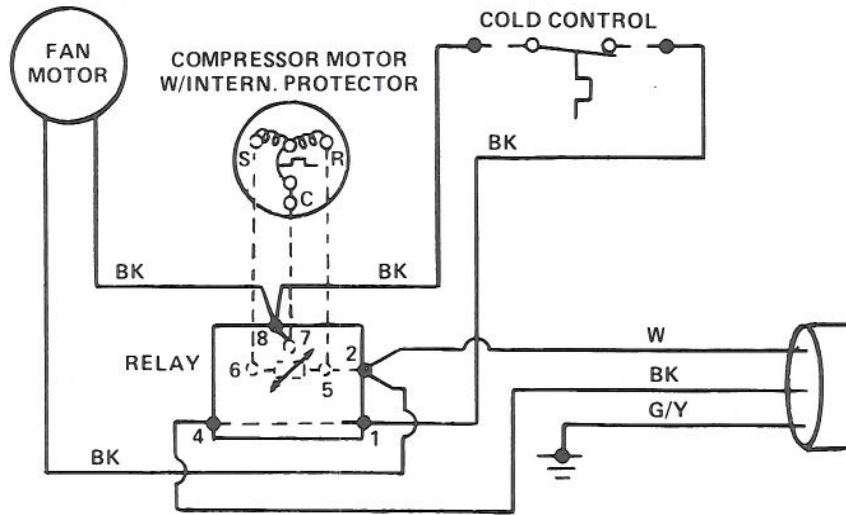
Specifications subject to change without notice.



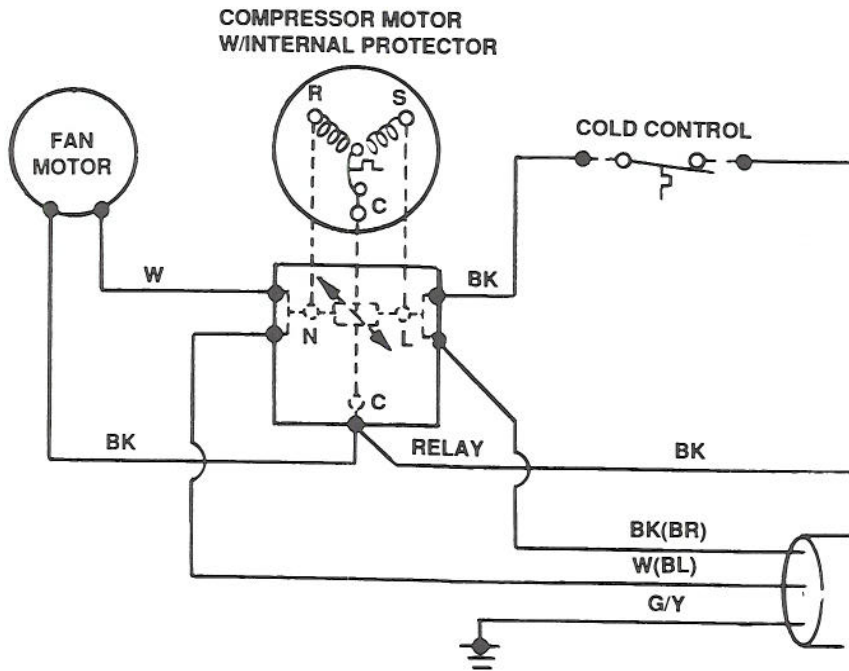
PARTS LIST

| ITEM NO. | DESCRIPTION | CP1M-P PLF1CM-P SERIES | CP1M-D PLF1CM-D SERIES | CP1M-D516 PLF1CMY-D SERIES |
|----------|---|------------------------------|------------------------------|----------------------------------|
| 1 | 12000 Bubbler Valve | 026551-002 | 026551-002 | 026551-002 |
| | 12000A Bubbler Valve (PLF-001 Series) | 030774-002 | 030774-002 | 030774-002 |
| 2 | Valve Body Gasket | 008983 | 008983 | 008983 |
| 3 | Friction Washer | 009281 | 009281 | 009281 |
| 4 | Drain Screw | 026655-002 | 026655-002 | 026655-002 |
| 5 | Top Screw | 026630-005 | 026630-005 | 026630-005 |
| 6 | Top | 028846-003 | 028846-003 | 028846-003 |
| 7 | Gasket (Under Top) | 028706-001 | 028706-001 | 028706-001 |
| 8 | Waste Gasket | 018050 | 018050 | 018050 |
| 9 | Screw (For Fan Motor Bracket) | 026642-005 | 026642-005 | 026642-005 |
| 10 | Washer (For Fan Motor Bracket) | 014632 | 014632 | 014632 |
| 11 | Fan Motor | 017079 | 017079 | 024938 |
| 12 | Fan Blade | 026857 | 026857 | 026857 |
| 13 | Fan Motor Bracket | 017443 | 017443 | 017443 |
| 14 | Bubbler Supply Spud | 029177-001 | 029177-001 | 029177-001 |
| 15 | Insulated Cooling Tank Assembly | 029422-001 | 029422-001 | 029422-001 |
| 16 | Waste Assembly | 019988 | 019988 | 019988 |
| 17 | Left Cooling Tank Insulation | 019990L | 019990L | 019990L |
| | Right Cooling Tank Insulation | 019990R | 019990R | 019990R |
| 18 | Condenser | 026858 | 026858 | 026858 |
| 19 | Panel Clip | 018156-001 | 018156-001 | 018156-001 |
| 20 | Cold Control | 027040-007 | 027040-007 | 027040-005 |
| 21 | Relay | 027709-002 | 026867 | 026309 |
| 22 | Compressor (Includes Item 21) | 028570-001 | 026868-001 | 026883-001 |
| 23 | Hanger Bracket and Barrier Assembly | 025662-002 | 025662-002 | 025662-002 |
| 24 | Left Side Panel – Painted – Tan | 026935-003 | 026935-003 | 026935-003 |
| | Left Side Panel – Stainless Steel | 026935-027 | 026935-027 | 026935-027 |
| 25 | Right Side Panel – Painted – Tan | 026935-004 | 026935-004 | 026935-004 |
| | Right Side Panel – Stainless Steel | 026935-028 | 026935-028 | 025935-028 |
| 26 | Front Panel – Painted – Tan | 026925-001 | 026925-001 | 026925-001 |
| | Front Panel – Stainless Steel | 026925-014 | 026925-014 | 026925-014 |
| 27 | Frame | 029420-001 | 029420-001 | 029420-001 |
| 28 | Service Cord | 026540-013 | 026540-013 | 028625-002 |
| 29 | Screw | 026630-009 | 026630-009 | 026630-009 |

ELECTRICAL DIAGRAM



PANASONIC MODELS



DANFOSS MODELS

OASIS® & AQUARIUS® are registered trademarks of EBCO Manufacturing Company
 The trademarks Kelvinator® and White-Westinghouse® are used under license from White Consolidated Industries, Inc.

EBCO® MANUFACTURING COMPANY

265 N. Hamilton Rd. • P.O. Box 13150 • Columbus, OH 43213-0150 • 614/861-1350 • Fax: 614/861-5017

Copyright 1993 EBCO Manufacturing Co.