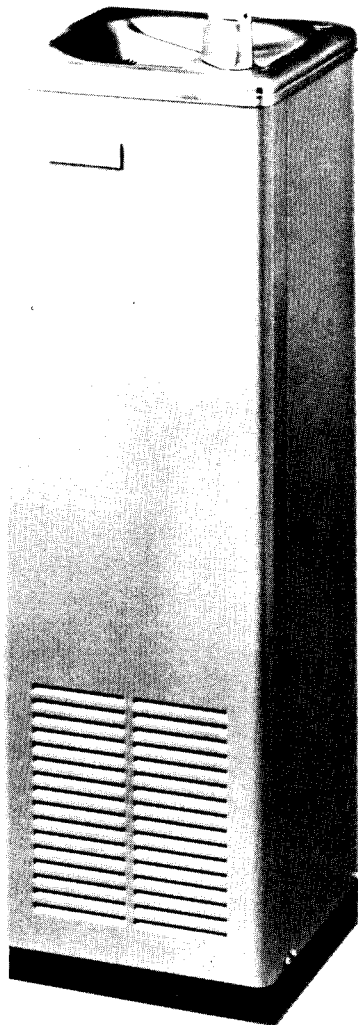


SERVICE INSTRUCTIONS

...with Illustrated Parts Breakdown

EBCO[®]

**WATER COOLER MODELS:
CP1-P, CP1-D, CP1-D-50/60,
WEECO1, WEECO1-001, WEECO1-0Y1**



DESCRIPTION

This model provides drinking water cooled to 50° F at 1 gallon per hour. This unit is free-standing and requires connections to supply water, electrical power, and waste drain.

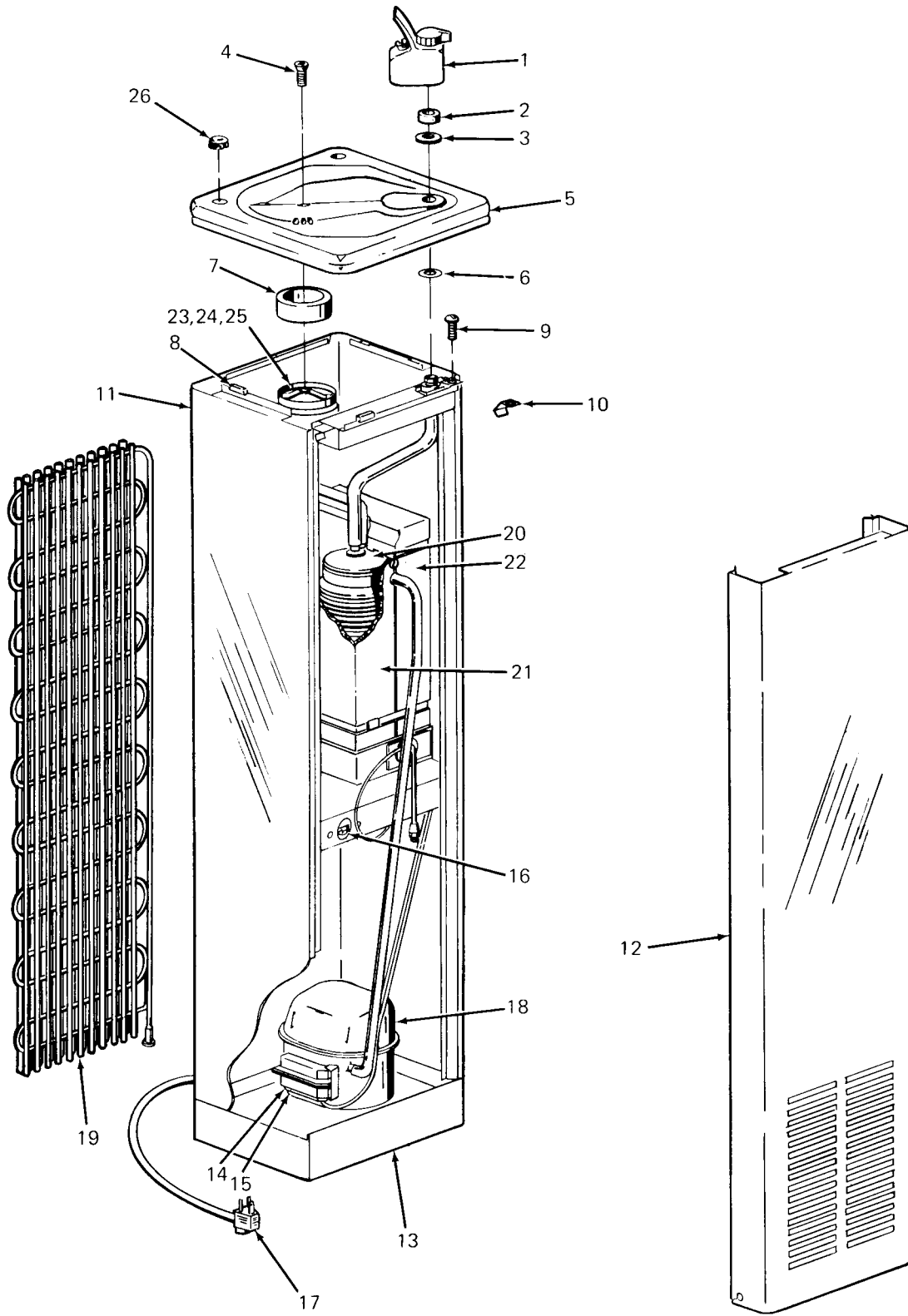
The refrigeration system is hermetically sealed at manufacture and is generally considered to be non-field-serviceable. The air-cooled compressor pumps refrigerant through the static condenser and a capillary tube (expansion valve) to the cooling tank evaporator. The evaporator is wrapped around the cooling tank for high efficiency.

The electrical circuit includes automatic overload protection and an adjustable cold control for water temperature regulation.

SPECIFICATIONS

Voltage (CP1-D-50/60)	220-240 VAC 50/60 Hertz
Voltage	115 VAC ±10%/1PH/60 Hertz
Size	40" H., 12" W., 12" D.
Shipping Weight (Approx)	62 LBS.
Cold Water Capacity	1 GPH
Compressor	1/20 HP
Compressor (230 Volt)	1/12 HP
Compressor (Full Load)	1.2 Amps
Refrigerant	R-12
Refrigerant Charge	1-7/8 OZ

*A.R.I. Rating: Room Temperature 90° F; Supply Water Temperature 80° F; Drinking Water Temperature 50° F.



MODEL: CP1-P

PARTS LIST

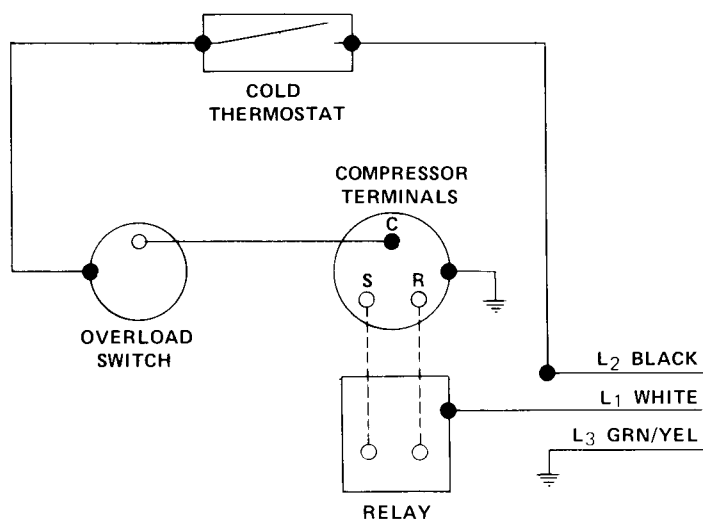
ITEM NO.	DESCRIPTION	CP1-P WEEC01	CP1-D WEEC01-001	CP1-D-50/60 WEEC01-OY1
1	12000 Bubbler Valve	026551-002	026551-002	026551-002
2	Gasket	008983	008983	008983
3	Friction Washer	009281	009281	009281
4	Top Screw	026655-002	026655-002	026655-002
5	Top	024491	024491	024491
6	Gasket	010545	010545	010545
7	Waste Gasket	019131	019131	019131
8	Top Pad	011641	011641	011641
9	Screw	026630-011	026630-011	026630-011
10	Speed Nut	012253	012253	012253
11	Cabinet Assembly	019687-002	019687-002	019687-002
	Cabinet Assembly — Olive-Beige, W/W*	024465-002	024465-002	024465-002
12	Front Panel	017528	017528	017528
	Front Panel — Olive-Beige, W/W*	024464	024464	024464
13	Base Assembly	021412-002	021412-002	021412-002
14	Starting Relay	025335-006	026867	026309
15	Overload	026196	---	---
16	Cold Control	027040-007	027040-007	027040-005
17	Service Cord	026540-010	026540-003	026540-003
18	Compressor	026194	026868-001	026883
19	Condenser	026695	026695	026695
20	Cooling Tank	026673	026673	026673
21	Cooling Tank Insulation, Left Hand	025115	025115	025115
22	Cooling Tank Insulation, Right Hand	025114	025114	025114
23	Waste Assembly	016374	016374	016374
24	Waste Insulation, Left Hand	021486	021486	021486
25	Waste Insulation, Right Hand	021485	021485	021485
26	Hole Cover	016994	016994	016994

*W/W — White Westinghouse

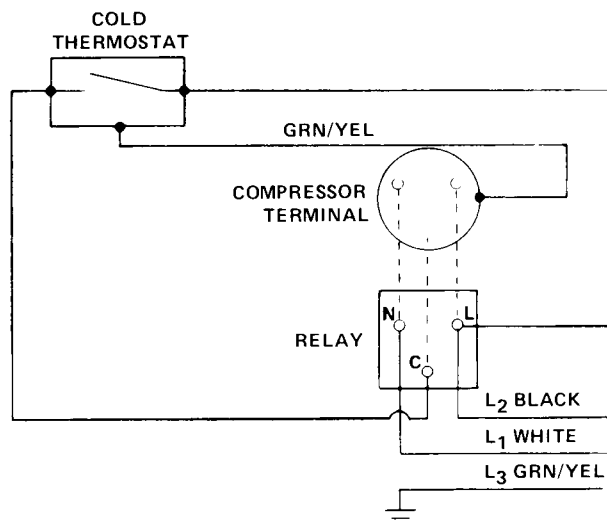
SERVICE CHECK CHART

TROUBLE	PROBABLE CAUSE	REMEDY
Unit not running	No electrical power Defective cold control Defective relay	Check power source Check that cold control is not in off position Replace Replace
Unit running but not cooling	Refrigerant leak or low refrigerant	Add refrigerant
Unit running continuously	Defective cold control Low refrigerant	Replace Add refrigerant

ELECTRICAL DIAGRAM



CP1-P



CP1-D

EBCO® MANUFACTURING COMPANY

265 N HAMILTON RD • COLUMBUS OHIO 43213 1383 • PHONE 614/861 1350 • CABLE EBCO • TELEX 246637