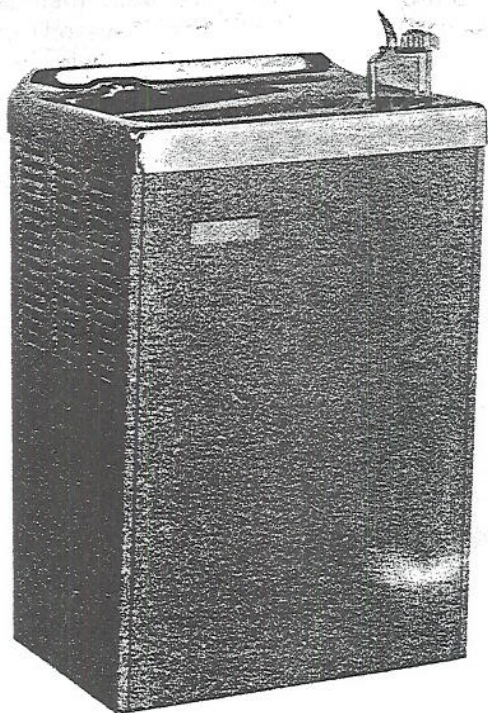


# SERVICE INSTRUCTIONS

...with Illustrated Parts Breakdown

## EBCO<sup>®</sup>

**WATER COOLER MODELS:  
DP8M, DP8MH, DP14M,  
DP16M-1, WELC08, WELH08  
WELC14, WELC16-001**



## DESCRIPTION

These models provide drinking water cooled to 50° F at 8, 14, and 16 gallons per hour. Model DP8MH also provides piping hot water at 45 cups per hour.

The refrigeration system is hermetically sealed at manufacture and is generally considered to be non-field serviceable. The air-cooled compressor pumps refrigerant through the fan-cooled condenser and capillary tube (expansion valve) to the cooling tank evaporator. The evaporator is wrapped around the cooling tank for high efficiency.

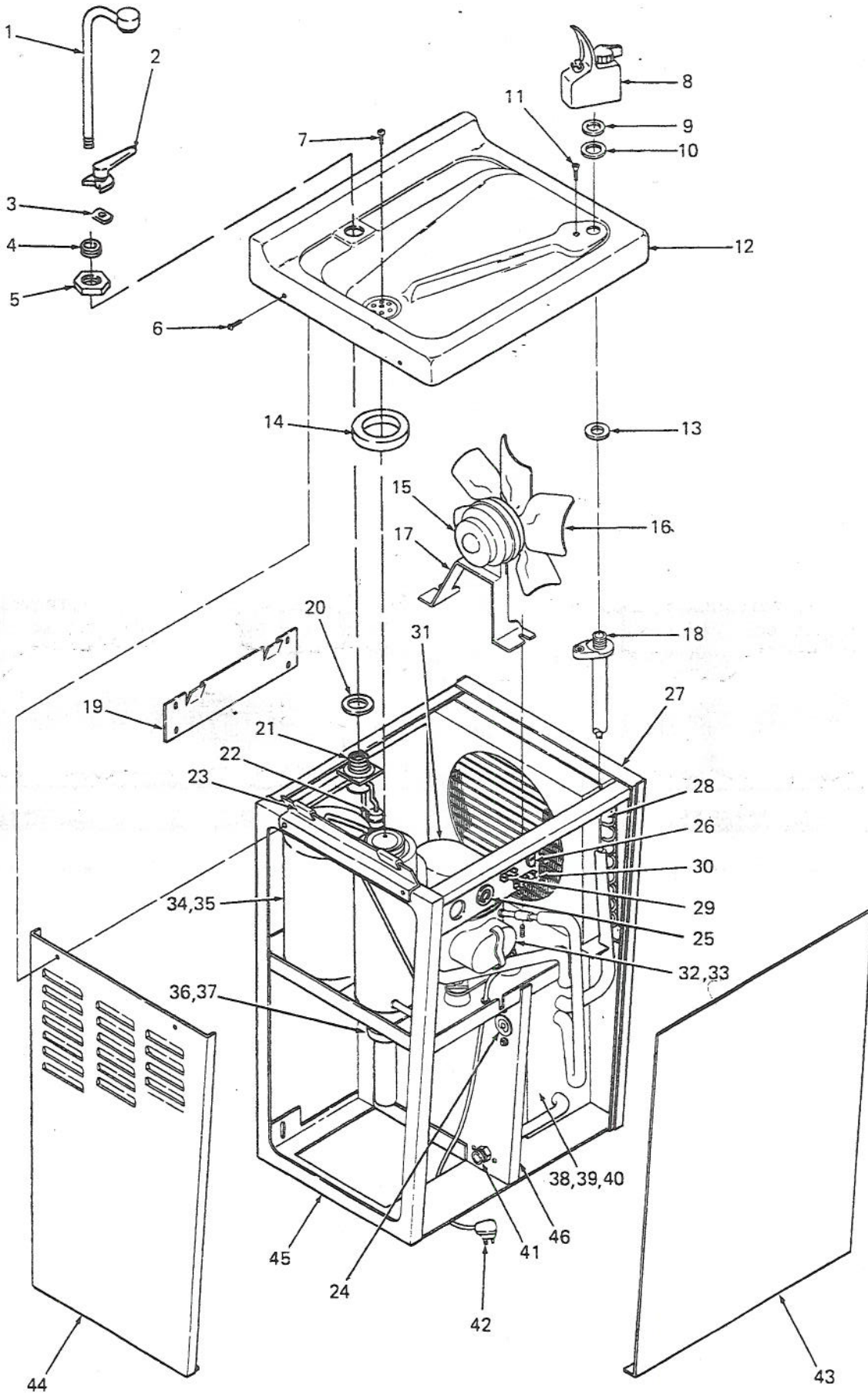
The hot tank is vented to atmospheric pressure through the two-way action of the hot faucet, eliminating the need for pressure/temperature devices and allowing outgassing of water additives.

The electrical circuit includes automatic overload protection, and adjustable hot and cold controls for temperature regulation.

## SPECIFICATIONS

Voltage	115 VAC ±10%/1PH/60 Hertz				
Size	26" H., 17" W., 13" D.				
Shipping Weight (Approx)	82 LBS.				
	Models	8M	8MH	14M	16M
Cold Water Capacity (GPH)		8	8	14	16
Compressor (HP)		1/5	1/5	1/5	1/5
Refrigerant		R-12	R-12	R-12	R-500
Refrigerant Charge (OZ.)		6-1/2	6-1/2	6-1/2	5-1/8
Hot Water Capacity (Cups/HR.)		---	45	---	---

Specifications subject to change without notice.



# PARTS LIST

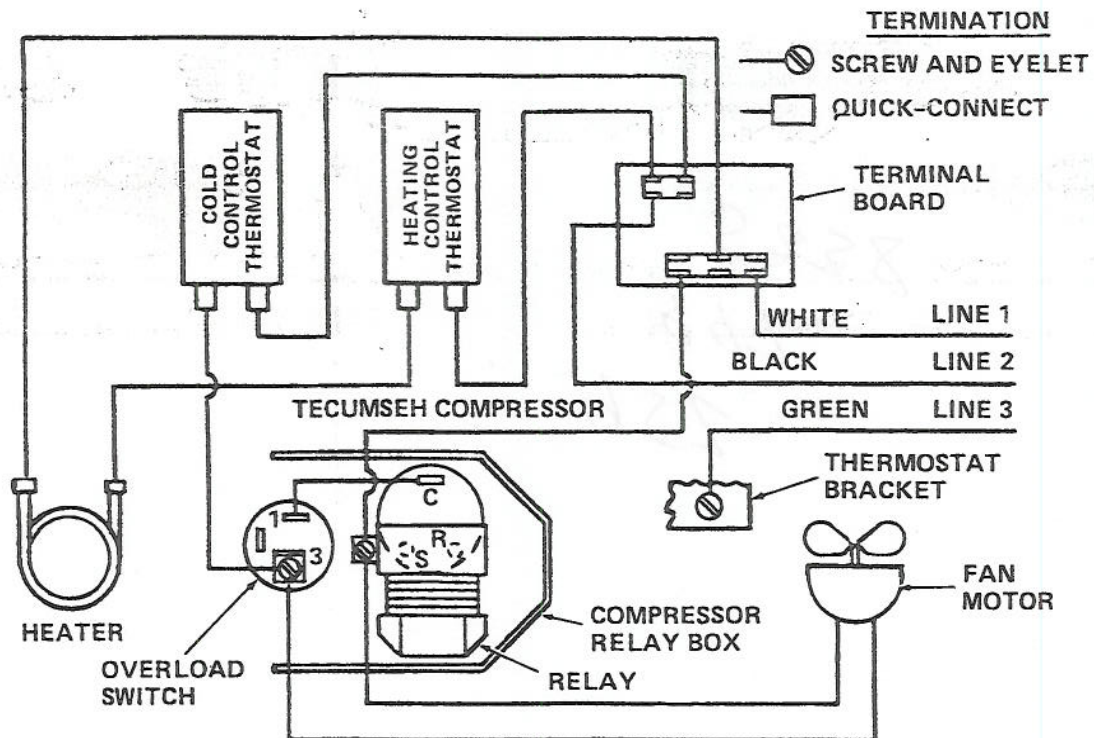
ITEM NO.	DESCRIPTION	DP8M WELC08	DP8MH WELH08	DP14M WELC14	DP16M-1 WELC16-001
1	Gooseneck	--	017590	--	--
2	Handle	--	017925	--	--
3	Tee Nut	--	017926	--	--
4	Cover	--	017927	--	--
5	Nut	--	017583	--	--
6	Top Screw — Stainless Steel	026630-005	026630-005	026630-005	026630-005
7	Drain Screw — Stainless Steel	026655-002	026655-002	026655-002	026655-002
8	Valve Assembly	026551-002	026551-002	026551-002	026551-002
9	Gasket	008983	008983	008983	008983
10	Friction Washer	009281	009281	009281	009281
11	Screw	026680-005	026680-005	026680-005	026680-005
12	Top	017930-002	017930-002	017930-002	017930-002
13	Gasket (Under Top)	010545	010545	010545	010545
14	Waste Gasket	018050	018050	018050	018050
15	Fan Motor	018909	018909	018909	018909
16	Fan Blade	022977	022977	022977	022977
17	Fan Motor Bracket	018559	018559	018559	018559
18	Valve Spud	025136	025136	025136	025136
19	Hanger	016698-002	016698-002	016698-002	016698-002
20	Hot Valve Gasket	--	017582	--	--
21	Hot Valve Body	--	021516	--	--
22	Check Valve	--	019690	--	--
23	Top Pads	011641	011641	011641	011641
24	Cold Control	027040-007	027040-007	027040-007	027040-007
25	Hot Control	--	027813-001	--	--
26	Panel Clip	018156-001	018156-001	018156-001	018156-001
27	Right Side Panel — Painted Tan	021866R	021866R	021866R	021866R
	Right Side Panel — Chestnut	018937-002	018937-002	018937-002	018937-002
	Right Side Panel — Charcoal	018938R	018938R	018938R	018938R
	Right Side Panel — Stainless Steel	018939R	018939R	018939R	018939R
	Right Side Panel — Walnut	018940R	018940R	018940R	018940R
	Right Side Panel — Sandstone	018937-004	018937-004	018937-004	018937-004
	Right Side Panel — Painted Lt. Beige *W/W	024644	024644	024644	024644
	Right Side Panel — Beige *W/W	024577	024577	024577	024577
28	Condenser Assembly	024076-001	024076-001	024076-001	024076-001
29	Terminal Base	--	023265	--	--
30	Control Mounting Bracket	--	018933	--	--
31	Compressor (Includes 32 and 33)	027256-002	027256-002	027256-002	027256-002
32	Overload	017977	017977	017977	017977
33	Relay	017978	017978	017978	017978
34	Hot Tank	--	026279-003	--	--
35	Hot Tank Insulation	--	019127	--	--
36	Precooler or Waste Assembly	019010-001	025356	025198-003	025198-003
37	Precooler Insulation	018073	018073	018059-002	018059-002
38	Cooling Tank	025139-001	025305-001	025239-001	025239-001
39	Cooling Tank Insulation 1/2	025114	025114	025114	025114
40	Cooling Tank Insulation 1/2	025115	025115	025115	025115
41	Drain Plug	016899-001	016899-001	016899-001	016899-001
42	Service Cord	026540-004	026540-013	026540-004	026540-004
43	Front Panel — Painted Tan	021871	021871	021871	021871
	Front Panel — Chestnut	019644-001	019644-001	019644-001	019644-001
	Front Panel — Charcoal	019645	019645	019645	019645
	Front Panel — Stainless Steel	019646	019646	019646	019646
	Front Panel — Walnut	019647	019647	019647	019647
	Front Panel — Sandstone	019644-002	019644-002	019644-002	019644-002
	Front Panel — Painted Lt. Beige *W/W	024638	024638	024638	024638
	Front Panel — Beige *W/W	024479	024479	024479	024479
44	Left Side Panel — Painted Tan	021866L	021866L	021866L	021866L
	Left Side Panel — Chestnut	018937-001	018937-001	018937-001	018937-001
	Left Side Panel — Charcoal	018938L	018938L	018938L	018938L
	Left Side Panel — Stainless Steel	018939L	018939L	018939L	018939L
	Left Side Panel — Walnut	018940L	018940L	018940L	018940L
	Left Side Panel — Sandstone	018937-003	018937-003	018937-003	018937-003
	Left Side Panel — Painted Lt. Beige *W/W	024643	024643	024643	024643
	Left Side Panel — Beige *W/W	024556	024556	024556	024556
45	Frame Assembly	025145	025145	025145	025145
46	Partition Plate	025148	025148	025148	025148

\*W/W — White Westinghouse

## SERVICE CHECK CHART

TROUBLE	PROBABLE CAUSE	REMEDY
Unit not running	No electrical power  Defective cold control Defective relay	Check power source Check that cold control is not in off position Replace Replace
Unit running but not cooling	Refrigerant leak or low refrigerant	Add refrigerant
Unit running continuously	Defective cold control Low refrigerant	Replace Add refrigerant

### ELECTRICAL DIAGRAM



**EBCO<sup>®</sup> MANUFACTURING COMPANY**

265 N. Hamilton Rd. • P.O. Box 13150 • Columbus, OH 43213-0150 • 614/861-1350 • Fax: 614/861-5017