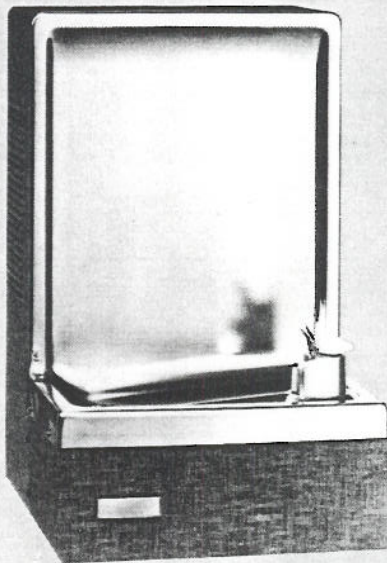


SERVICE INSTRUCTIONS

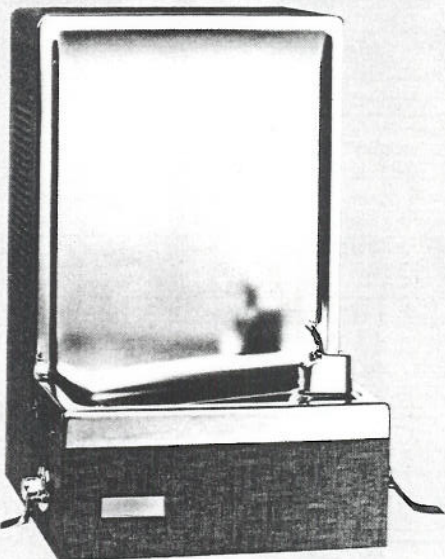
...with Illustrated Parts Breakdown

EBCO[®]

**WHEELCHAIR MODELS: DP7WM-1,
DP7WM-1-D, DP7WM-1-P, DP7WM-1-PE
WEWCO7-001, WEWCO7-0D1,
WEWCO7-0P1, WEWCO7-0E1**



DP7WM and DPWM



DP7WMD and DPWMD

DESCRIPTION

Model DP7WM-1-D is uniquely designed to provide convenience and ease of operation to wheelchair and other handicapped users of the cooler.

There are "Soft-Touch" operating levers on either side of the cabinet, and the levers are activated to turn on the water with a very minimal pressure. Either "Soft-Touch" operating lever will activate the bubbler.

Model DP7WM-1-P has an electrically timed push-button located on the center front cabinet. It can be activated with almost any part of the body.

Model DP7WM-1 has the conventional single Dial-A-Drink bubbler operating lever.

All models have a metal plate which covers the entire bottom of the cabinet to protect against injury or torn clothing.

The refrigeration system is hermetically sealed at manufacture and is generally considered to be non-field serviceable. The air-cooled compressor pumps refrigerant through the fan-cooled condenser and capillary tube (expansion valve) to the cooling tank evaporator. The evaporator is wrapped around the cooling tank for high efficiency.

The electrical circuit includes automatic overload protection, and an adjustable cold control for water temperature regulation.

SPECIFICATIONS

Voltage	115 VAC±10%/1PH/60 Hertz
Size	27-13/16" H., 18-1/2" W., 17-5/16" D.
Shipping Weight (Approx)	DP7WM-1 and DP7WM-1-P-82 LBS. DP7WM-1-P-84 LBS.
Cold Water Capacity*	7 GPH
Compressor	1/5 HP
Compressor (Full Load)	6.0 Amps
Refrigerant	R-12
Refrigerant Charge	6-1/2 OZ.

*A.R.I. Rating: Room Temperature 90° F., Supply Water Temperature 80° F., Drinking Water Temperature 50° F.

Specifications subject to change without notice.

PARTS LIST

ITEM NO.	DESCRIPTION	DP7WM-1 WEWC07-001	DP7WM-1-D WEWC07-0D1	DP7WM-1-P DP7WM-1-PE WEWC07-0P1 WEWC07-0E1
1	Top	022323	022323	022323
2	Waste Assembly	023046	023046	023046
3	Waste Screw	026655-002	026655-002	026655-002
4	Waste Gasket	018050	018050	018050
5	Valve Assembly	026551-002	026551-006	026551-006
6	Valve Spud Screw	026680-005	026680-005	026680-005
7	Valve Gasket	008983	008983	008983
8	Friction Washer	009281	009281	009281
9	Wrapper - Painted (Specify Color)	022975-005	022975-019	022975-012
	Wrapper - Chestnut	022975-001	022975-015	022975-008
	Wrapper - Charcoal	022975-002	022975-016	022975-009
	Wrapper - Walnut	022975-003	022975-017	022975-010
	Wrapper - Stainless Steel	022975-006	022975-020	022975-013
	Wrapper - Beige, W/W*	022975-004	022975-018	022975-011
10	Bezel	---	---	024816
11	Push Button	---	---	024817
12	Switch	---	---	024764
13	Compressor (Includes Items 27 and 28)	027256-002	027256-002	027256-002
14	Timer Assembly	---	---	024937
15	Cap - Painted (Specify Color)	022976-005*	022976-005	022976-005
	Cap - Chestnut	022976-001	022976-001	022976-001
	Cap - Charcoal	022976-002	022976-002	022976-002
	Cap - Walnut	022976-003	022976-003	022976-003
	Cap - Stainless Steel	022976-006	022976-006	022976-006
	Cap - Beige, W/W*	022976-004	022976-004	022976-004
16	Terminal Block	---	---	023265
17	Fan Motor Bracket	022946	022946	022946
18	Right Side Panel - Painted (Specify Color)	023038	023038	023038
	Right Side Panel - Chestnut	022979-001	022979-001	022979-001
	Right Side Panel - Charcoal	023032	023032	023032
	Right Side Panel - Walnut	023034	023034	023034
	Right Side Panel - Stainless Steel	023036	023036	023036
	Right Side Panel - Beige, W/W*	023334	023334	023334
19	Condenser	023135	023135	023135
20	Fan Motor	016490	016490	016490
21	Fan Blade	022977	022977	022977
22	Shroud	022972	022972	022972
23	Gasket (Under Top)	010545	010545	010545
24	Solenoid Valve	---	---	026313
25	Top Supply Line	026855	026851	026838
26	Cold Control	027040-007	027040-007	027040-007
27	Overload	017977	017977	017977
28	Relay	017978	017978	017978
29	Frame Assembly	022967	022967	022967
30	Service Cord	026540-004	026540-004	026540-004
31	Drain Plug	016899	016899	016899
32	Left Side Panel - Painted (Specify Color)	023037	023037	023037
	Left Side Panel - Chestnut	022980-001	022980-001	022980-001
	Left Side Panel - Charcoal	023031	023031	023031
	Left Side Panel - Walnut	023033	023033	023033
	Left Side Panel - Stainless Steel	023035	023035	023035
	Left Side Panel - Beige, W/W*	023335	023335	023335
33	Cooling Tank Insulation, Left Hand	022988	022988	022988
34	Cooling Tank Insulation, Right Hand	022989	022989	022989
35	Cooling Tank and Heat Exchanger Assembly (Insulated)	026847	026849	026836
36	Handle Assembly	---	024927	---
37	Handle Guide Plate	---	024922	---
38	Stem Assembly	---	013059	---
39	Supply Assembly, Dual Valve Complete	---	025512-002	---
**	Hanger	025662-003	025662-003	025662-003

* W/W = White Westinghouse
 ** Not Shown

*switch for timer
400101*

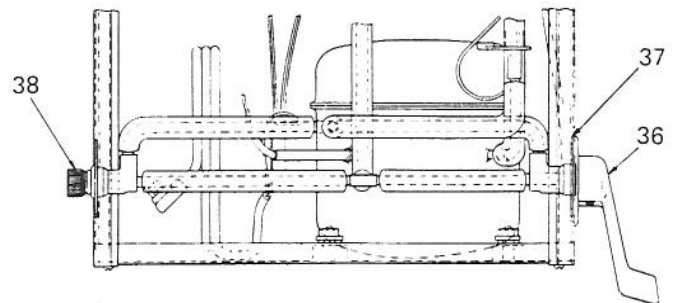
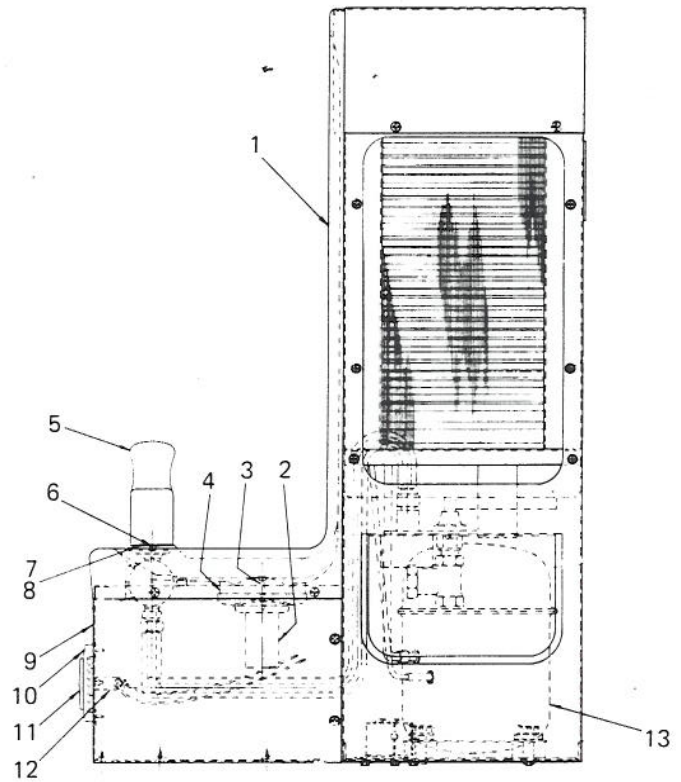
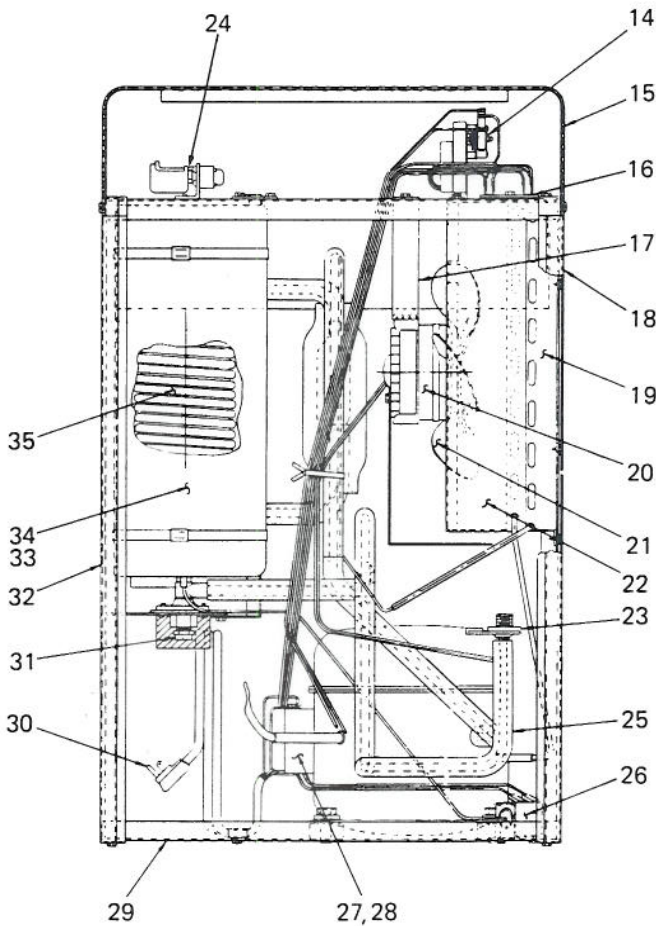
USED ON MODEL DP7WM-1-DPB ONLY

9	Wrapper — Painted (Specify Color)	022975-026
	Wrapper — Chestnut	022975-022
	Wrapper — Charcoal	022975-023
	Wrapper — Walnut	022975-024
	Wrapper — Stainless Steel	022975-027
	Wrapper — Beige, W/W*	022975-025

USED ON MODEL DP7WM-1-TPB

9	Wrapper — Painted (Specify Color)	022975-033
	Wrapper — Chestnut	022975-029
	Wrapper — Charcoal	022975-030
	Wrapper — Walnut	022975-031
	Wrapper — Stainless Steel	022975-034
	Wrapper — Beige, W/W*	022975-032

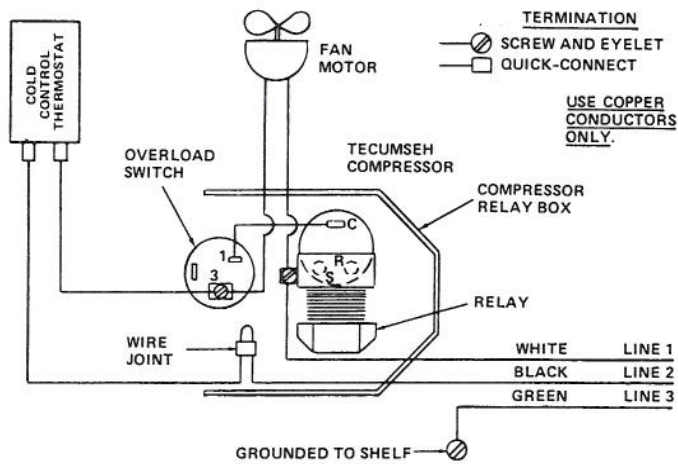
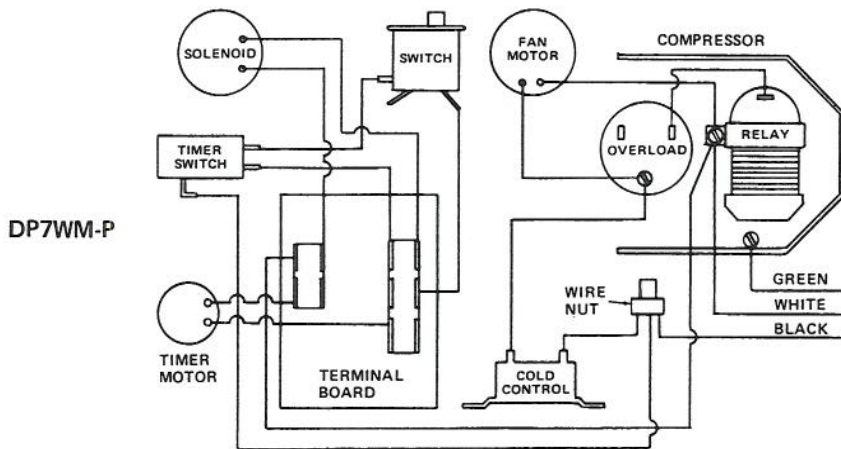
* W/W = White Westinghouse



SERVICE CHECK CHART

TROUBLE	PROBABLE CAUSE	REMEDY
Unit not running	No electrical power	Check power source Check that cold control is not in off position
	Defective cold control Defective relay	Replace Replace
Unit running but not cooling	Refrigerant leak or low refrigerant	Add refrigerant
Unit running continuously	Defective cold control Low refrigerant	Replace Add refrigerant

ELECTRICAL DIAGRAM



EBCO[®] MANUFACTURING COMPANY

265 N. Hamilton Rd. • P.O. Box 13150 • Columbus, OH 43213-0150 • 614/861-1350 • Cable: EBCO • Telex: 246637