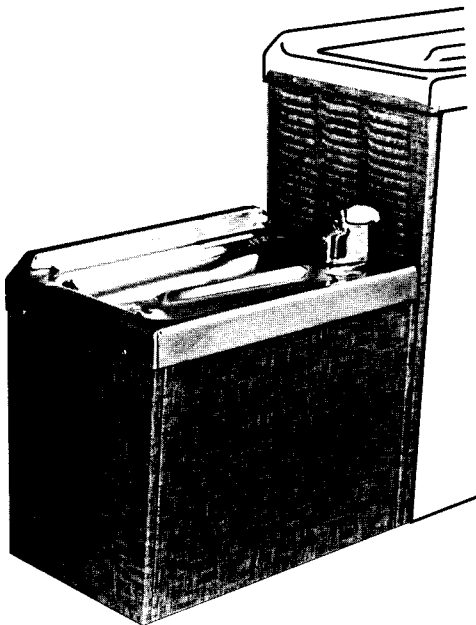


SERVICE INSTRUCTIONS

...with Illustrated Parts Breakdown

EBCO[®]

DRINKING FOUNTAIN MODEL: DFM



DESCRIPTION

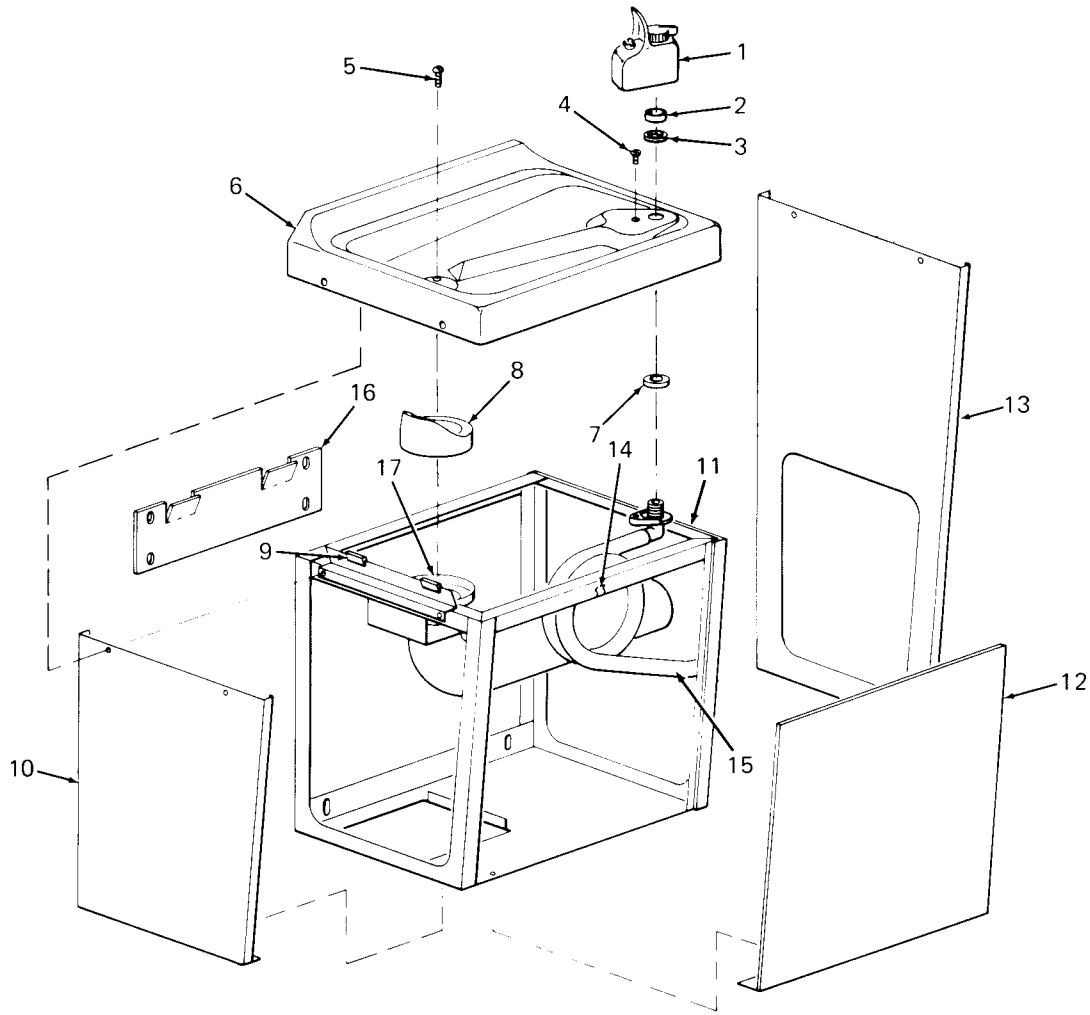
This model is designed for attachment to model DPM, DP5M, DP7M, DP8M, DP13M, DP14M or DP16M wall-mounted water fountains. The unit provides drinking water directly from the companion fountain at a height above the floor suitable for use by children. It requires connections to supply water and waste drain within the companion fountain.

This fountain is shipped with an appropriate left side panel for the water cooler to which it is to be mounted.

SPECIFICATIONS

| | |
|--------------------------|------------------------|
| Size | 16" H., 17" W., 13" D. |
| Shipping Weight (Approx) | 25 LBS. |

Specifications subject to change without notice.



| ITEM NO. | DESCRIPTION | DFM | ITEM NO. | DESCRIPTION | DFM |
|----------|--|------------|----------|--|------------|
| 1 | Bubbler Valve Assembly | 026551-002 | | Right Side Panel – Beige, W/W* | 024728 |
| 2 | Valve Body Gasket | 008983 | | Right Side Panel – Olive, W/W* | 024731 |
| 3 | Friction Washer | 009281 | 12 | Front Panel – Chestnut | 026925-008 |
| 4 | Screw, #8-32 x 1/2", Stainless | 026680-005 | | Front Panel – Sand | 026925-016 |
| 5 | Screw, #8-32 x 1-1/4", Brass | 026655-002 | | Front Panel – Charcoal | 026925-010 |
| 6 | Top | 019441-003 | | Front Panel – Walnut | 026925-012 |
| 7 | Gasket | 010545 | | Front Panel – Stainless Steel | 026925-014 |
| 8 | Waste Gasket | 018050 | | Front Panel – Tan | 026925-001 |
| 9 | Spacer Angle | 018072 | | Front Panel – Beige, W/W* | 026925-006 |
| 10 | Left Side Panel – Chestnut | 026935-013 | | Front Panel – Light Beige, W/W* | 026925-002 |
| | Left Side Panel – Sand | 026935-029 | 13 | Companion Side Panel – Chestnut | 020206-001 |
| | Left Side Panel – Charcoal | 026935-017 | | Companion Side Panel – Sand | 020206-002 |
| | Left Side Panel – Walnut | 026935-021 | | Companion Side Panel – Charcoal | 020207 |
| | Left Side Panel – Stainless Steel | 026935-025 | | Companion Side Panel – Walnut | 020209 |
| | Left Side Panel – Tan | 026935-001 | | Companion Side Panel – Stainless Steel | 020208 |
| | Left Side Panel – Beige, W/W* | 026935-011 | | Companion Side Panel – Tan | 021865 |
| | Left Side Panel – Olive, W/W* | 026935-007 | | Companion Side Panel – Beige, W/W* | 024729 |
| 11 | Right Side Panel – Chestnut | 019722-001 | | Companion Side Panel – Olive, W/W* | 024730 |
| | Right Side Panel – Sand | 019722-002 | 14 | Cable Clip | 018156-001 |
| | Right Side Panel – Charcoal | 019723 | 15 | Water Supply Tube Assembly | 019710 |
| | Right Side Panel – Walnut | 019724 | 16 | Hanger | 016698-002 |
| | Right Side Panel – Stainless Steel | 019725 | 17 | Waste Assembly | 019708 |
| | Right Side Panel – Tan | 021868 | | | |

*W/W – White Westinghouse

NOT SHOWN

Plumbing Kit 022006

EBCO® **MANUFACTURING COMPANY**

265 N. Hamilton Rd. • P.O. Box 13150 • Columbus, OH 43213-0150 • 614/861-1350 • Cable: EBCO • Telex: 246637