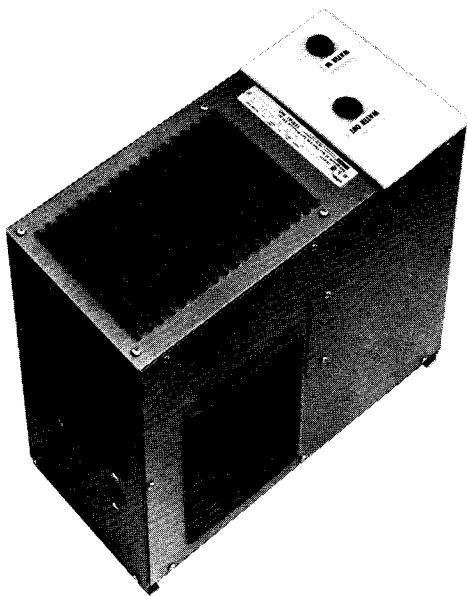


SERVICE INSTRUCTIONS

...with Illustrated Parts Breakdown

EBCO[®]

WATER COOLER MODEL: DP5P



DESCRIPTION

This model provides drinking water cooled to 50°F at 5 gallons per hour. The unit mounts under a sink or cabinet and requires connections to supply water, electrical power and water delivery after cooling.

The refrigeration system is hermetically sealed at manufacture and is generally considered to be non-field-serviceable. The air-cooled compressor pumps refrigerant thru the fan-cooled condenser and capillary tube (expansion valve) to the cooling tank evaporator. The evaporator is wrapped around the cooling tank for high efficiency.

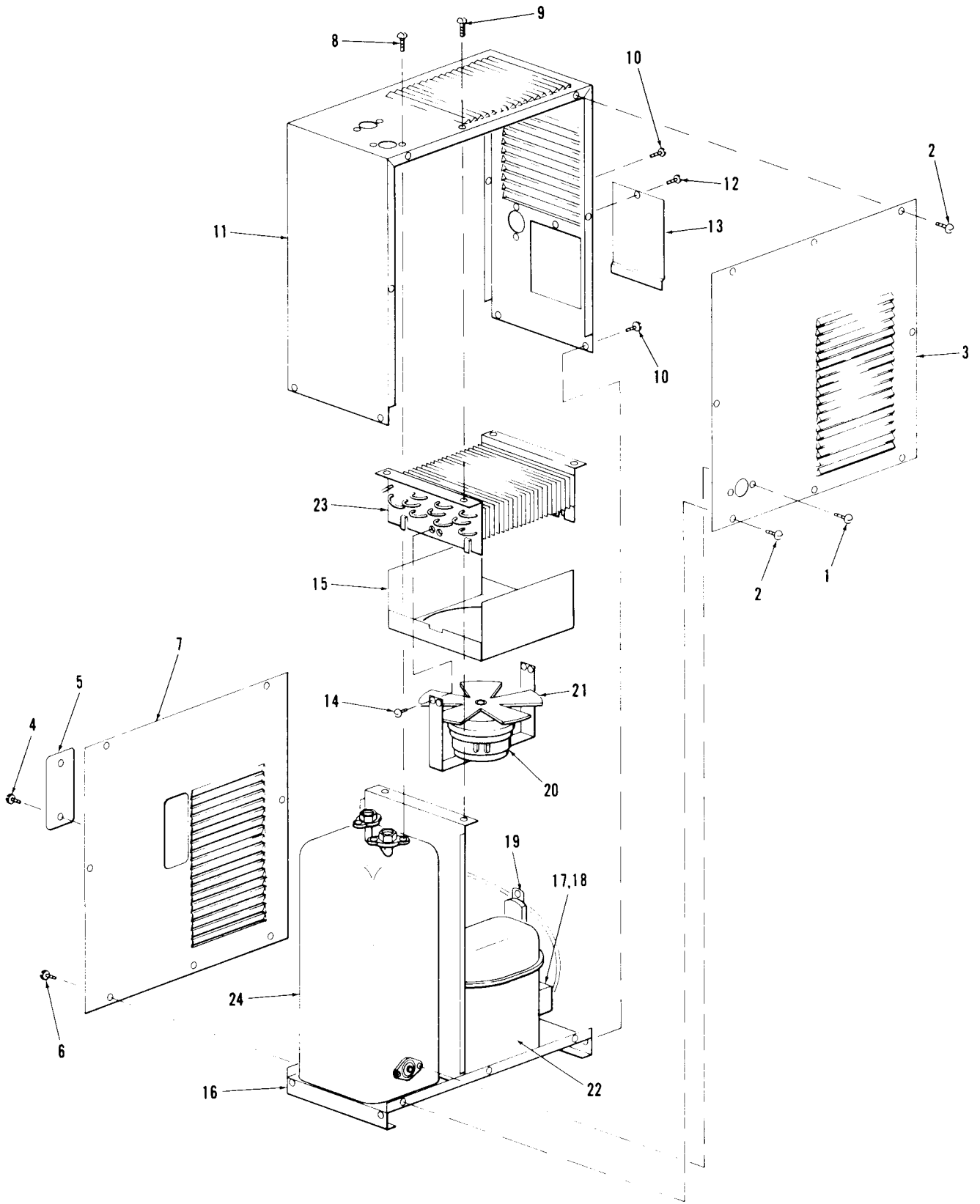
The electrical circuit includes automatic overload protection, and an adjustable cold control for water temperature regulation.

SPECIFICATIONS

Voltage	115 VAC	±10%/1 Ph./60 cycles (Hertz)
Size	16" H., 17" W., 9" D.	
Shipping Weight (Approx.)		
Cold Water Capacity*	5 GPH	
Cold Water Compressor	1/5 H.P.	
Cold Water Compressor	5.0 Amps	
Refrigerant	R-12	
Refrigerant Charge	5 Oz.	

* A.R.I. Rating: Room Temp. 90°F.; Supply Water Temp. 80°F.; Drinking Water Temp. 50°F.

Specifications subject to change without notice.



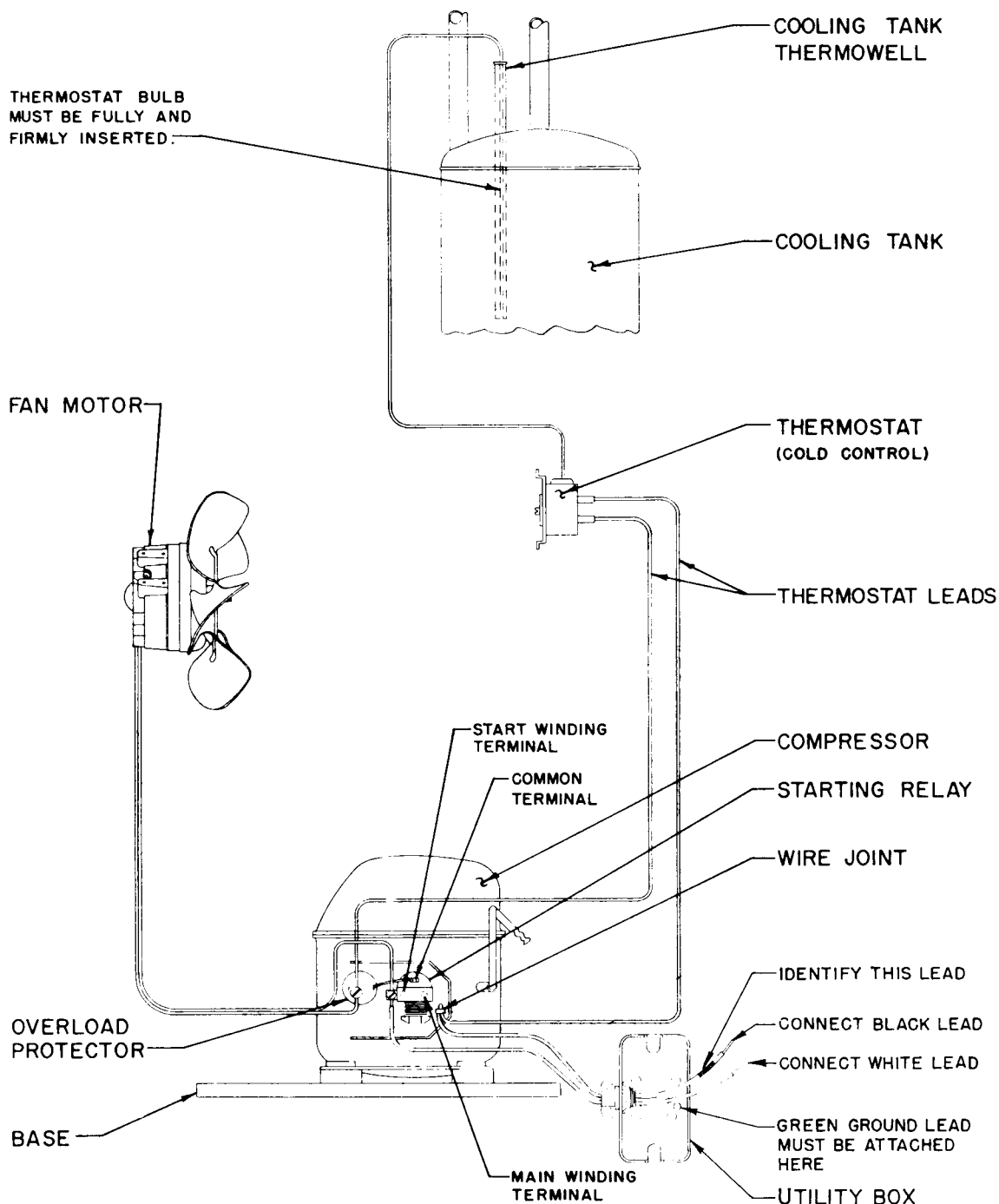
MODEL: DP5P

PARTS LIST

Fig. No.	Part No.	Description	Qty.	Fig. No.	Part No.	Description	Qty.
CABINET							
1	* 6524	Screw, #10-24 x 1/2"	2	9	*17054	Screw, #8 x 3/8"	4
2	*17054	Screw, #8 x 3/8"	8	10	*17054	Screw, #8 x 3/8"	6
3	20246	Front Panel	1	11	20249	Cabinet Wrapper	1
4	*17712	Screw, #6-32 x 3/8"	2	12	*17054	Screw, #8 x 3/8"	1
5	20306	Utility Box Cover	1	13	20262	Access Door	1
6	*17054	Screw, #8 x 3/8"	8	14	*17054	Screw, #8 x 3/8"	4
7	20304	Rear Panel	1	15	20248	Condenser Shroud	1
8	* 6524	Screw, #10-24 x 1/2"	4	16	20251	Base Assembly	1
ELECTRICAL							
17	17978	Starting Relay	1	20	20244	Fan Motor & Bracket Assy.	1
18	17977	Overload Protector	1	21	20243	Fan Blade	1
19	20319	Cold Control	1				
REFRIGERATION							
22	17980	Compressor Assembly (Includes Items 17 & 18)	1	23	20247	Condenser	1
				24	20289	Cooling Tank Assy.	1

* Standard Hardware - Purchase Locally

ELECTRICAL DIAGRAM



EBCO[®] MANUFACTURING COMPANY

265 N. Hamilton Rd. • P.O. Box 13150 • Columbus, OH 43213-0150 • 614/861-1350 • Cable: EBCO • Telex: 246637