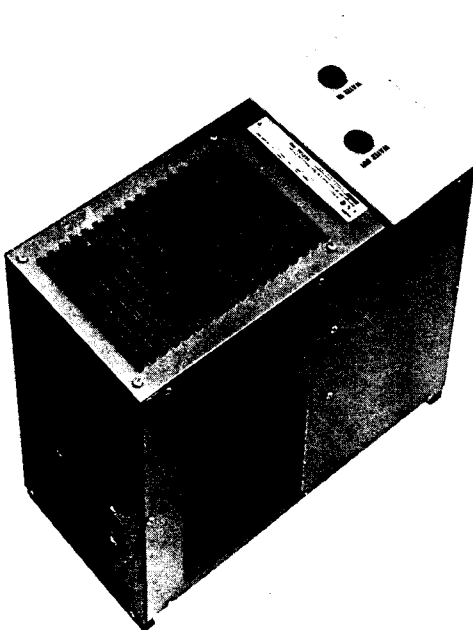


SERVICE INSTRUCTIONS

...with Illustrated Parts Breakdown

EBCO[®]

WATER COOLER MODEL: DP3E



DESCRIPTION

This model provides drinking water cooled to 50°F at 3 gallons per hour. The unit mounts under a sink or cabinet and requires connections to supply water, electrical power and water delivery after cooling.

The refrigeration system is hermetically sealed at manufacture and is generally considered to be non-field-serviceable. The air-cooled compressor pumps refrigerant thru the fan-cooled condenser and capillary tube (expansion valve) to the cooling tank evaporator. The evaporator is wrapped around the cooling tank for high efficiency.

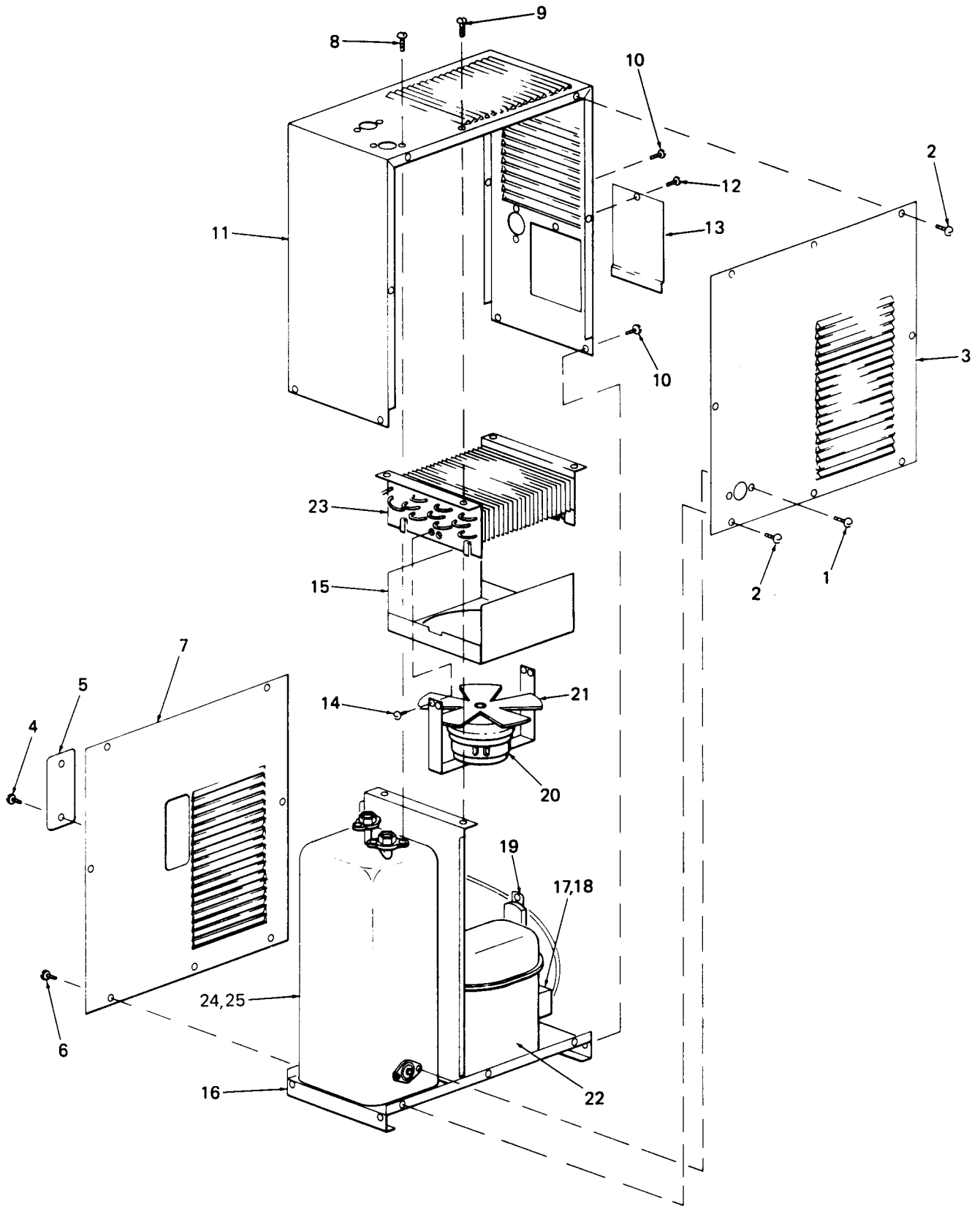
The electrical circuit includes automatic overload protection, and an adjustable cold control for water temperature regulation.

SPECIFICATIONS

Voltage	115 VAC \pm 10%/1PH/60 Hertz
Size	16" H., 17" W., 9" D.
Shipping Weight (Approx.)	55 LBS.
Cold Water Capacity*	3 GPH
Compressor	1/6 HP
Compressor (Full Load)	4.0 Amps
Refrigerant	R-12
Refrigerant Charge	5-1/8 OZ.

*A.R.I. Rating: Room Temperature 90° F; Supply Water Temperature 80° F; Drinking Water Temperature 50° F.

Specifications subject to change without notice.



PARTS LIST

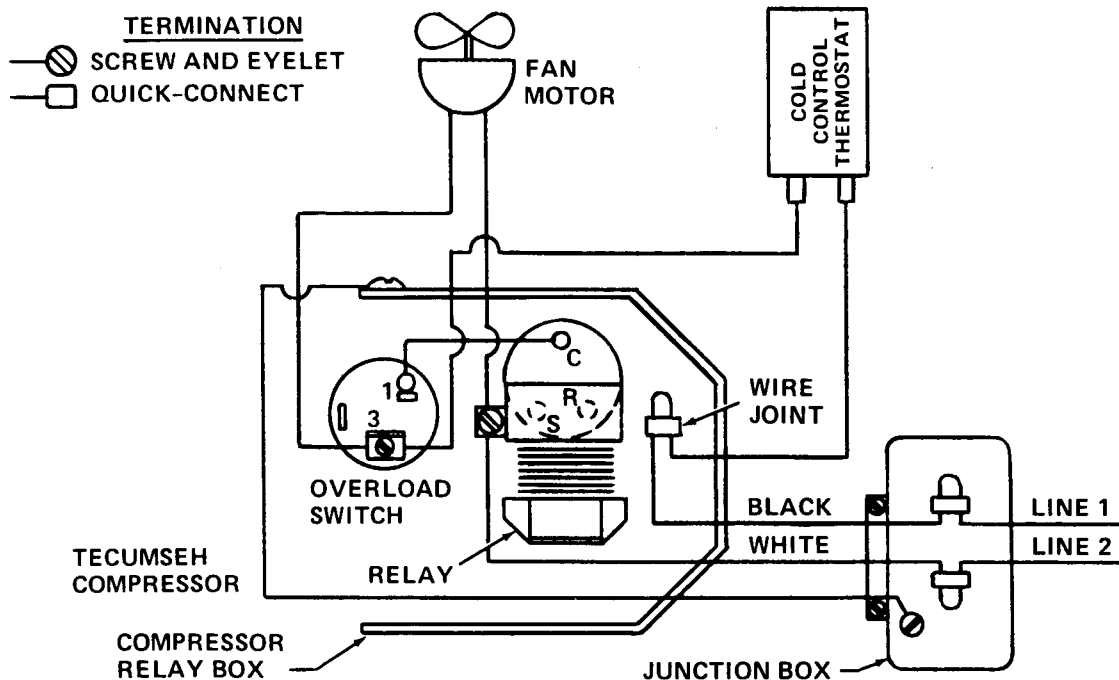
ITEM NO.	DESCRIPTION	DP3E
1*	Screw, 10-24 x 1/2"	026670-006
2*	Screw, No. 8 x 3/8"	026630-010
3	Front Panel	020246
4*	Screw, 6-32 x 3/8"	026650-003
5	Utility Box Cover	020306
6*	Screw, No. 8 x 3/8"	026630-010
7	Rear Panel	020304
8*	Screw, 10-24 x 1/2"	026670-006
9*	Screw, No. 8 x 3/8"	026630-010
10*	Screw, No. 8 x 3/8"	026630-010
11	Cabinet Wrapper	020249
12*	Screw, No. 8 x 3/8"	026630-010
13	Access Door	020262
14*	Screw, No. 8 x 3/8"	026630-010
15	Condenser Shroud	020248
16	Base Assembly	020251
17	Starting Relay	017289
18	Overload Protector	017290
19	Cold Control	027040-007
20	Fan Motor and Bracket Assembly	020244
21	Fan Blade	020243
22	Compressor Assembly (Includes 17 and 18)	017287
23	Condenser	020247
24	Cooling Tank Assembly	020263
25	Heat Exchanger Assembly (needed with cooling tank)	020261
	NOT SHOWN	
26	Left Cooling Tank Insulation	020318
	Right Cooling Tank Insulation	020317
27	Drain Plug	027252-001
28	Square Drain Insulation	023852
29	Glassfiller Assy (autom. shpd with unit)	018201
30	Glassfiller Accessory Kit	027063
31	Glassfiller Water Sply Line/Water Tube Assy	020275

*Standard Hardware—purchase locally

SERVICE CHECK CHART

TROUBLE	PROBABLE CAUSE	REMEDY
Unit not running	No electrical power	Check power source Check that cold control is not in off position
	Defective cold control Defective relay	Replace Replace
Unit running but not cooling	Refrigerant leak or low refrigerant	Add refrigerant
Unit running continuously	Defective cold control Low refrigerant	Replace Add refrigerant

ELECTRICAL DIAGRAM



EBCO[®] MANUFACTURING COMPANY

265 N. Hamilton Rd. • P.O. Box 13150 • Columbus, OH 43213-0150 • 614/861-1350 • Cable: EBCO • Telex: 246637