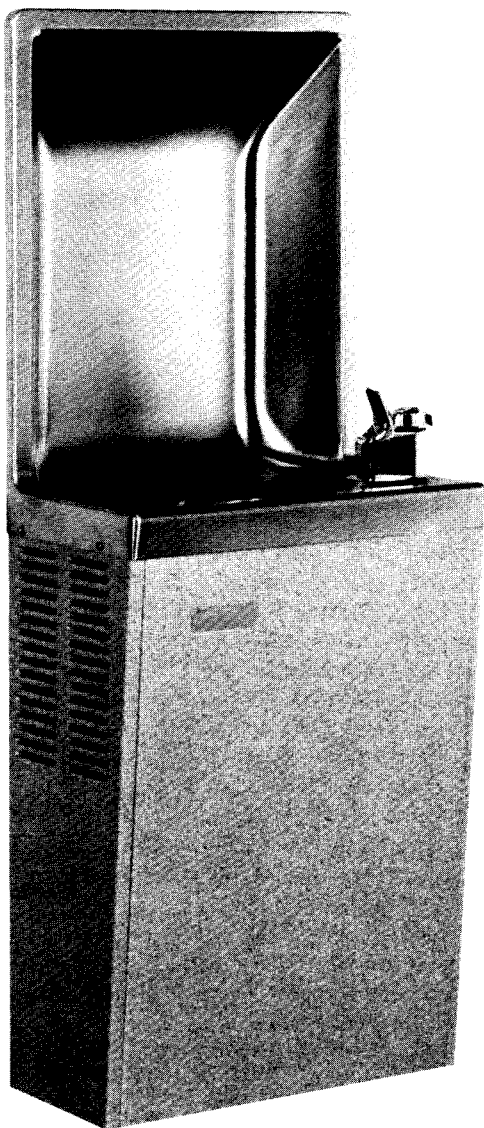


SERVICE INSTRUCTIONS

...with Illustrated Parts Breakdown

EBCO[®]

WATER COOLER MODELS: DPS-2, DP5S-2, DP7S-2 AND DP13S-2



DESCRIPTION

These models provide drinking water cooled to 50° F at 5, 7, and 13 gallons per hour. The unit mounts semi-recessed into a wall and requires connections to supply water, electrical power, and waste drain.

Model DPS-2 is non-refrigerated and requires only supply water and waste drain.

The refrigeration system is hermetically sealed at manufacture and is generally considered to be non-field serviceable. The air-cooled compressor pumps refrigerant through the fan-cooled condenser and capillary tube (expansion valve) to the cooling tank evaporator. The evaporator is wrapped around the cooling tank for high efficiency. A sub-cooler routes the refrigerant around the cold water drain to aid condenser cooling.

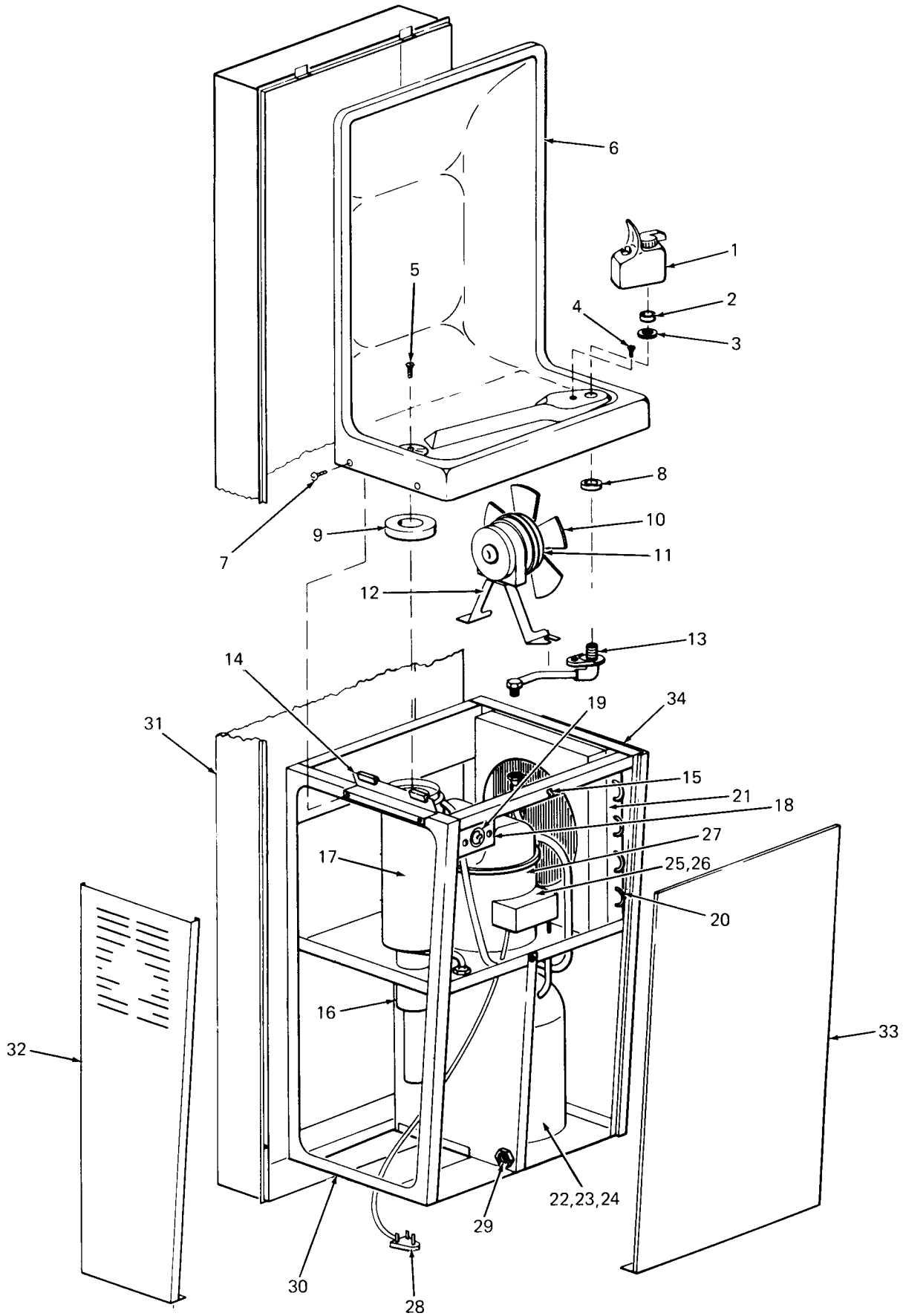
The electrical circuit includes automatic overload protection, and an adjustable cold control for water temperature regulation.

SPECIFICATIONS

Voltage	115 VAC \pm 10%/1PH/60 Hertz			
Size (Overall)				
	DPS	DP5S	DP7S	DP13S
Shipping Weight LBS.	32	93	94	99
Cold Water Capacity*	--	5	7	13
Compressor HP	--	1/12	1/5	1/4
Compressor Amps	--	2.8	5.0	5.0
Refrigerant Charge OZ./R-12	--	5	5	5

*A.R.I. Rating: Room Temperature 90° F; Supply Water Temperature 80° F; Drinking Water Temperature 50° F.

Specifications subject to change without notice.



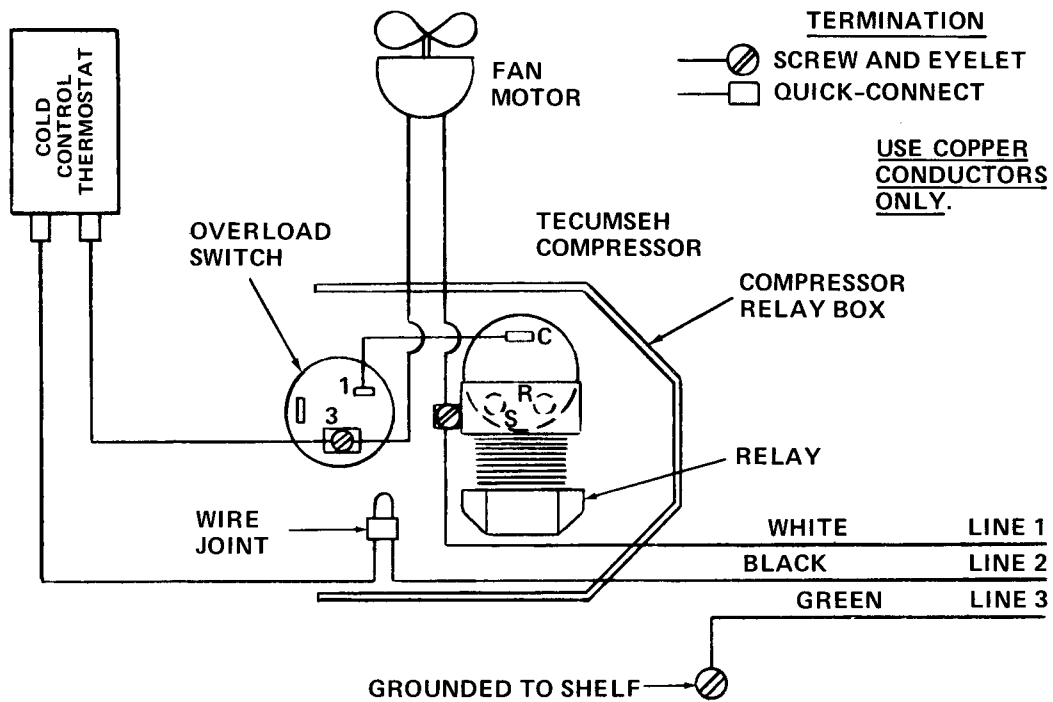
PARTS LIST

ITEM NO.	DESCRIPTION	DPS-2	DP5S-2	DP7S-2	DP13S-2
1	Valve Assembly	026551-002	026551-002	026551-002	026551-002
	Valve Assembly — Bronze	023575	023575	023575	023575
2	Valve Gasket	008983	008983	008983	008983
3	Friction Washer	009281	009281	009281	009281
4	Bubbler Spud Screw	026680-005	026680-005	026680-005	026680-005
5	Drain Screw	026655-002	026655-002	026655-002	026655-002
	Drain Screw — Bronze	026655-001	026655-001	026655-001	026655-001
6	Top	017929	017929	017929	017929
	Top — Bronze	022587	022587	022587	022587
7	Top Screw	026630-005	026630-005	026630-005	026630-005
	Top Screw — Bronze	026630-003	026630-003	026630-003	026630-003
8	Gasket (Under Top)	010545	010545	010545	010545
9	Waste Gasket	018050	018050	018050	018050
10	Fan Blade	---	019199	022977	022977
11	Fan Motor	---	027354-020	018909	018909
12	Fan Motor Bracket	---	018559	018559	018559
13	Top Supply Line	019011	018514	018514	018514
14	Spacer Angle	018071	018071	018071	018071
15	Cable Clip	018156-001	018156-001	018156-001	018156-001
16	Precooler or Waste Drain	019010	019192	018966	018946
17	Precooler Insulation	018073-004	018059-002	018073-004	018059-002
18	Control Bracket	---	019012	019012	019012
19	Cold Control	---	027040-008	027040-008	027040-008
20	Condenser	---	024075-001	024076-001	024076-001
21	Condenser Shroud	---	019198	018955	018955
22	Cooling Tank Assembly	---	019189	018991	018952
23	Cooling Tank Insulation (LH)	---	018048	018048	018048
24	Cooling Tank Insulation (RH)	---	018049	018049	018049
25	Relay	---	016941	017978	018461
26	Overload	---	019194	017977	017977
27	Compressor (Includes 25 and 26)	---	019193	027256-002	027495-006
28	Service Cord	---	026540-004	026540-004	026540-004
29	Drain Plug	---	016899	016899	016899
30	Frame Assembly	025145	025145	025145	025145
31	Wall Mounting Box	020530	020530	020530	020530
32	Left Side Panel — Painted	021869L	021869L	021869L	021869L
	Left Side Panel — Chestnut	018961-001	018961-001	018961-001	018961-001
	Left Side Panel — Charcoal	018962L	018962L	018962L	018962L
	Left Side Panel — Walnut	018964L	018964L	018964L	018964L
	Left Side Panel — Stainless Steel	018963L	018963L	018963L	018963L
	Left Side Panel — Bronze	022585	022585	022585	022585
33	Front Panel — Painted	021871	021871	021871	021871
	Front Panel — Chestnut	019644-001	019644-001	019644-001	019644-001
	Front Panel — Charcoal	019645	019645	019645	019645
	Front Panel — Walnut	019647	019647	019647	019647
	Front Panel — Stainless Steel	019646	019646	019646	019646
	Front Panel — Bronze	022586	022586	022586	022586
34	Right Side Panel — Painted	021869R	021869R	021869R	021869R
	Right Side Panel — Chestnut	018961-002	018961-002	018961-002	018961-002
	Right Side Panel — Charcoal	018962R	018962R	018962R	018962R
	Right Side Panel — Walnut	018964R	018964R	018964R	018964R
	Right Side Panel — Stainless Steel	018963R	018963R	018963R	018963R
	Right Side Panel — Bronze	022584	022584	022584	022584

SERVICE CHECK CHART

TROUBLE	PROBABLE CAUSE	REMEDY
Unit not running	No electrical power Defective cold control Defective relay	Check power source Check that cold control is not in off position Replace Replace
Unit running but not cooling	Refrigerant leak or low refrigerant	Add refrigerant
Unit running continuously	Defective cold control Low refrigerant	Replace Add refrigerant

ELECTRICAL DIAGRAM



EBCO[®] MANUFACTURING COMPANY

265 N. Hamilton Rd. • P.O. Box 13150 • Columbus, OH 43213-0150 • 614/861-1350 • Cable: EBCO • Telex: 246637