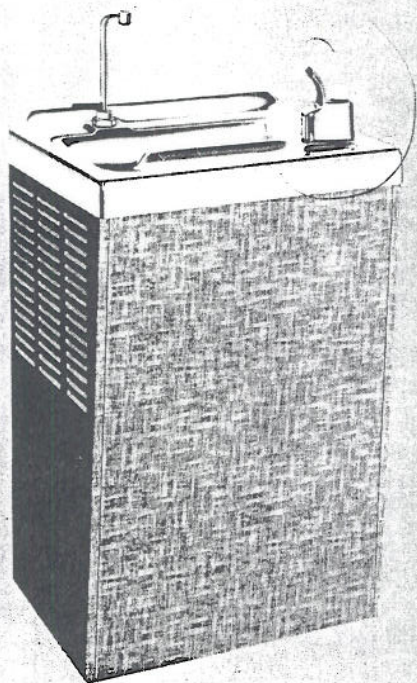


SERVICE INSTRUCTIONS

...with Illustrated
Parts Breakdown

EBCO[®]

**WATER COOLER MODELS:
DP5M-2, DP7M-2, DP7MH-2,
DP13M-2 AND DP16M**



DESCRIPTION

These models provide drinking water cooled to 50° F at 5, 7, 13, and 16 gallons per hour. Model DP7MH-2 also provides piping hot water at 45 cups per hour.

The refrigeration system is hermetically sealed at manufacture and is generally considered to be non-field serviceable. The air-cooled compressor pumps refrigerant through the fan-cooled condenser and capillary tube (expansion valve) to the cooling tank evaporator. The evaporator is wrapped around the cooling tank for high efficiency.

The hot tank is vented to atmospheric pressure through the two-way action of the hot faucet, eliminating the need for pressure/temperature devices and allowing outgassing of water additives.

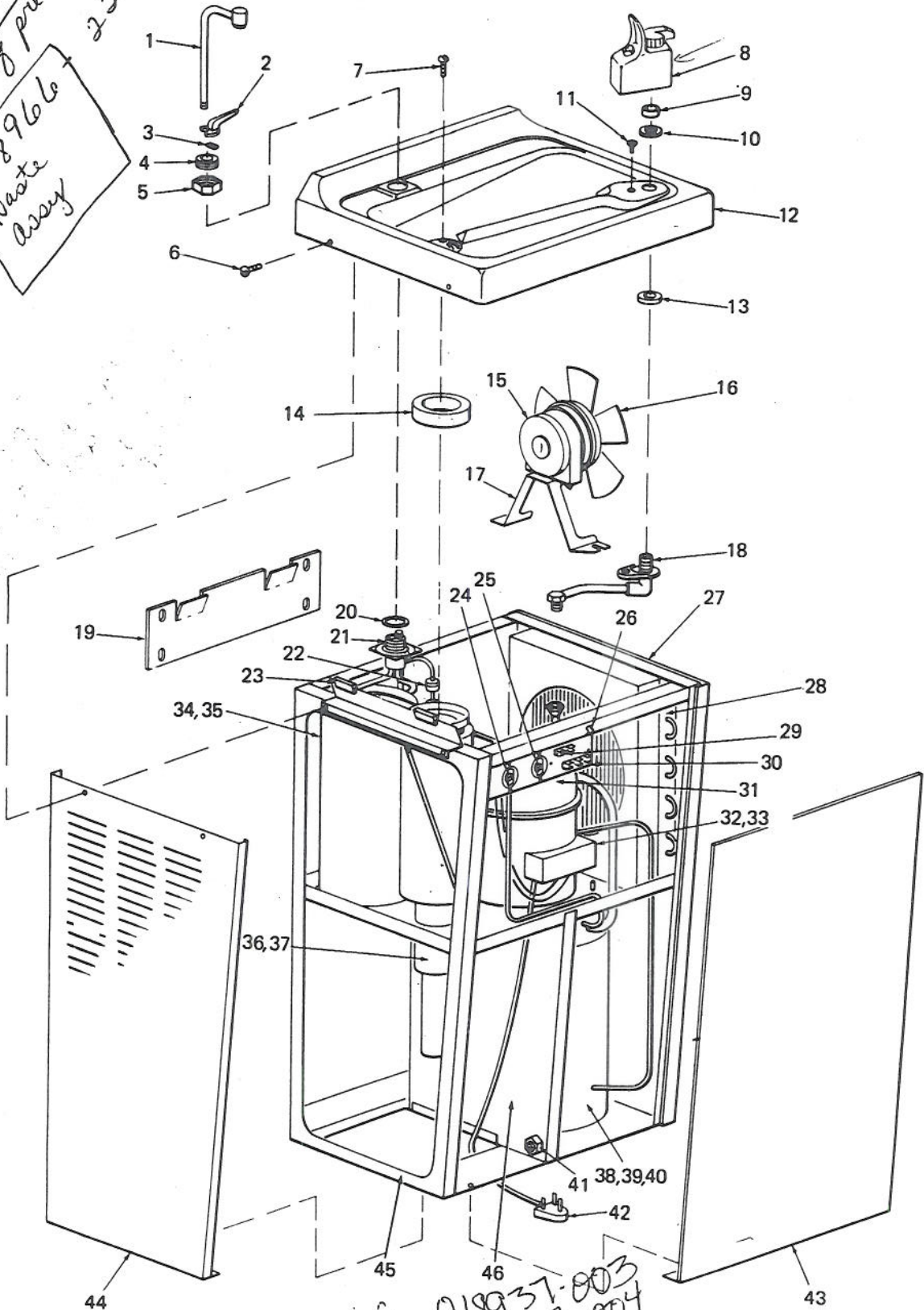
The electrical circuit includes automatic overload protection, and adjustable hot and cold controls for temperature regulation.

SPECIFICATIONS

Voltage	115 VAC ±10%/1PH/60 Hertz				
Size	26" H., 17" W., 13" D.				
Shipping Weight (Approx)	82 LBS.				
	Models	5M	7M	7MH	13M 16M
Cold Water Capacity		5	7	7	13 16
Compressor (HP)		1/12	1/5	1/5	1/4 1/3
Refrigerant		R-12	R-12	R-12	R-12 R-12
Refrigerant Charge (OZ.)		5-1/2	6	6	5-1/2 7
Hot Water Capacity (Cups/HR.)		---	---	45	---

Specifications subject to change without notice.

*Sale price
part of pre-cooler
018966
Waste
away
22.95*



*LF 018937.003
RT 018937.004
Front 019644.002*

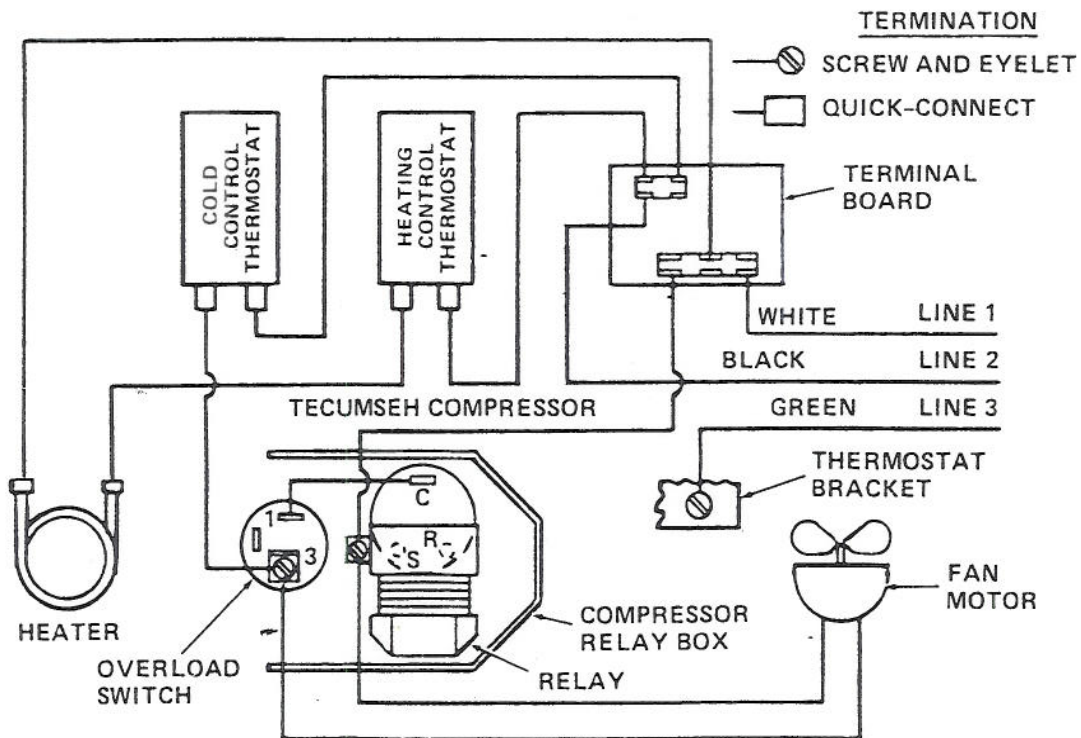
PARTS LIST

ITEM NO.	DESCRIPTION	DP5M-2	DP7M-2	DP7MH-2	DP13M-2	DP16M
1	Gooseneck	---	---	017590	---	---
2	Handle	---	---	017925	---	---
3	Tee Nut	---	---	017926	---	---
4	Body Cap	---	---	017927	---	---
5	Nut	---	---	017582	---	---
6	Screw	026630-005	026630-005	026630-005	026630-005	026630-005
7	Drain Screw	026655-002	026655-002	026655-002	026655-002	026655-002
8	12000 Bubbler Valve	026551-002	026551-002	026551-002	026551-002	026551-002
9	Gasket	008983	008983	008983	008983	008983
10	Friction Washer	009281	009281	009281	009281	009281
11	Screw	026680-005	026680-005	026680-005	026680-005	026680-005
12	Top	017930	017930	017930	017930	017930
13	Gasket (Under Top)	010545	010545	010545	010545	010545
14	Waste Gasket	018050	018050	018050	018050	018050
15	Fan Motor	018927	018909	018909	018909	018909
16	Fan Blade	019199	022977	022977	022977	022977
17	Fan Motor Bracket	018599	018599	018599	018599	018599
18	Top Supply Line	024975-001	024975-001	024975-001	024975-001	024975-001
19	Wall Hanger	025662-001	025662-001	025662-001	025662-001	025662-001
20	Gasket	---	---	017582	---	---
21	Hot Valve Body	---	---	021516	---	---
22	Check Valve	---	---	019690	---	---
23	Top Pads	011641	011641	011641	011641	011641
24	Cold Control	027040-008	027040-008	027040-008	027040-008	027040-007
25	Hot Control	---	---	027040-013	---	---
26	Panel Clip	018156-001	018156-001	018156-001	018156-001	018156-001
27	Right Side Panel - Chestnut	018937-002	018937-002	018937-002	018937-002	018937-002
	Right Side Panel - Charcoal	018938R	018938R	018938R	018938R	020297R
	Right Side Panel - Stainless Steel	018939R	018939R	018939R	018939R	020299R
	Right Side Panel - Walnut	018940R	018940R	018940R	018940R	020298R
	Right Side Panel - Painted (Specify Color)	021866R	021866R	021866R	021866R	021864R
28	Condenser Assembly	024075	024076-001	024076-001	024076-001	024074
29	Terminal Base	---	---	023265	---	---
30	Control Mounting Bracket	019012	019012	018933	019012	019012
31	Compressor (Includes Items 32 and 33)	019193	027256-002	027256-002	019016	019432
32	Overload	019194	017977	017977	017977	019435
33	Relay	016941	017978	017978	018461	019434
34	Hot Tank Assembly	---	---	026279-003	---	---
35	Hot Tank Insulation	---	---	025792	---	---
36	Precooler	019192	018966	019273	018946	018946
37	Precooler Insulation	018059-002	018073-004	018073-004	018059-002	018059-002
38	Cooling Tank Assembly	019189	018991	018992	018952	020310
39	Cooling Tank Insulation	018048	018048	018048	018048	018048
40	Cooling Tank Insulation	018049	018049	018049	018049	018049
41	Cooling Tank Drain Plug	016899	016899	016899	016899	016899
42	Service Cord	026540-004	026540-004	026540-013	026540-004	026540-004
43	Front Panel - Chestnut	019644-001	019644-001	019644-001	019644-001	019644-001
	Front Panel - Charcoal	019645	019645	019645	019645	019645
	Front Panel - Stainless Steel	019646	019646	019646	019646	019646
	Front Panel - Walnut	019647	019647	019647	019647	019647
	Front Panel - Painted (Specify Color)	021871	021871	021871	021871	021871
44	Left Side Panel - Chestnut	018937-001	018937-001	018937-001	018937-001	018937-001
	Left Side Panel - Charcoal	018938L	018938L	018938L	018938L	020297L
	Left Side Panel - Stainless Steel	018939L	018939L	018939L	018939L	020299L
	Left Side Panel - Walnut	018940L	018940L	018940L	018940L	020298L
	Left Side Panel - Painted (Specify Color)	021866L	021866L	021866L	021866L	021864L
45	Frame Assembly	025145	025145	025145	025145	020302
46	Partition Plate	018936	018936	018936	018936	018936

SERVICE CHECK CHART

TROUBLE	PROBABLE CAUSE	REMEDY
Unit not running	No electrical power Defective cold control Defective relay	Check power source Check that cold control is not in off position Replace Replace
Unit running but not cooling	Refrigerant leak or low refrigerant	Add refrigerant
Unit running continuously	Defective cold control Low refrigerant	Replace Add refrigerant

ELECTRICAL DIAGRAM



EBCO[®] MANUFACTURING COMPANY

265 N. Hamilton Rd. • P.O. Box 13150 • Columbus, OH 43213-0150 • 614/861-1350 • Cable EBCO • Telex 246637