

SERVICE INSTRUCTIONS

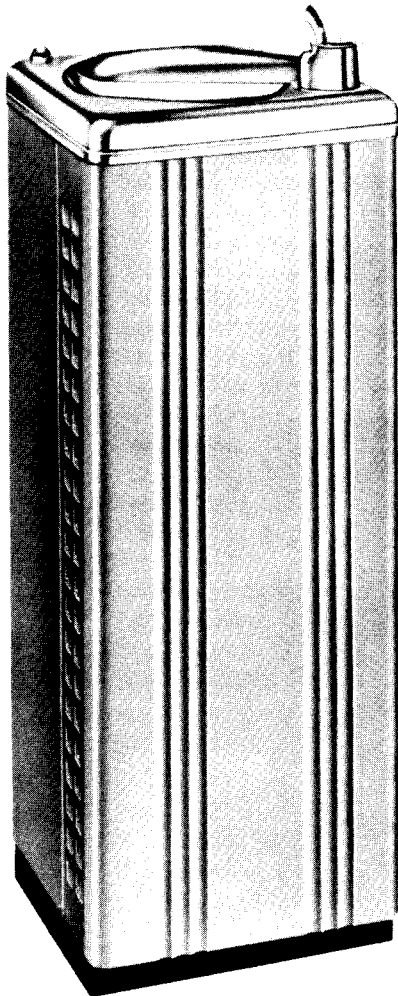
...with Illustrated Parts Breakdown

EBCO[®]

WATER COOLER MODELS:

13P-1, 13PL-1,

WEEC13, WEEC13J



DESCRIPTION

This model provides drinking water cooled to 50°F at 13 gallons per hour. The unit is free-standing and self-supporting and requires connections to supply water, electrical power, and waste drain.

The refrigeration system is hermetically sealed at manufacture and is generally considered to be non-field-serviceable. The air-cooled compressor pumps refrigerant through the fan-cooled condenser and a capillary tube (expansion valve) to the cooling tank evaporator. The evaporator is wrapped around the cooling tank for high efficiency. A pre-cooler routes supply water around cold drain water to cool incoming water.

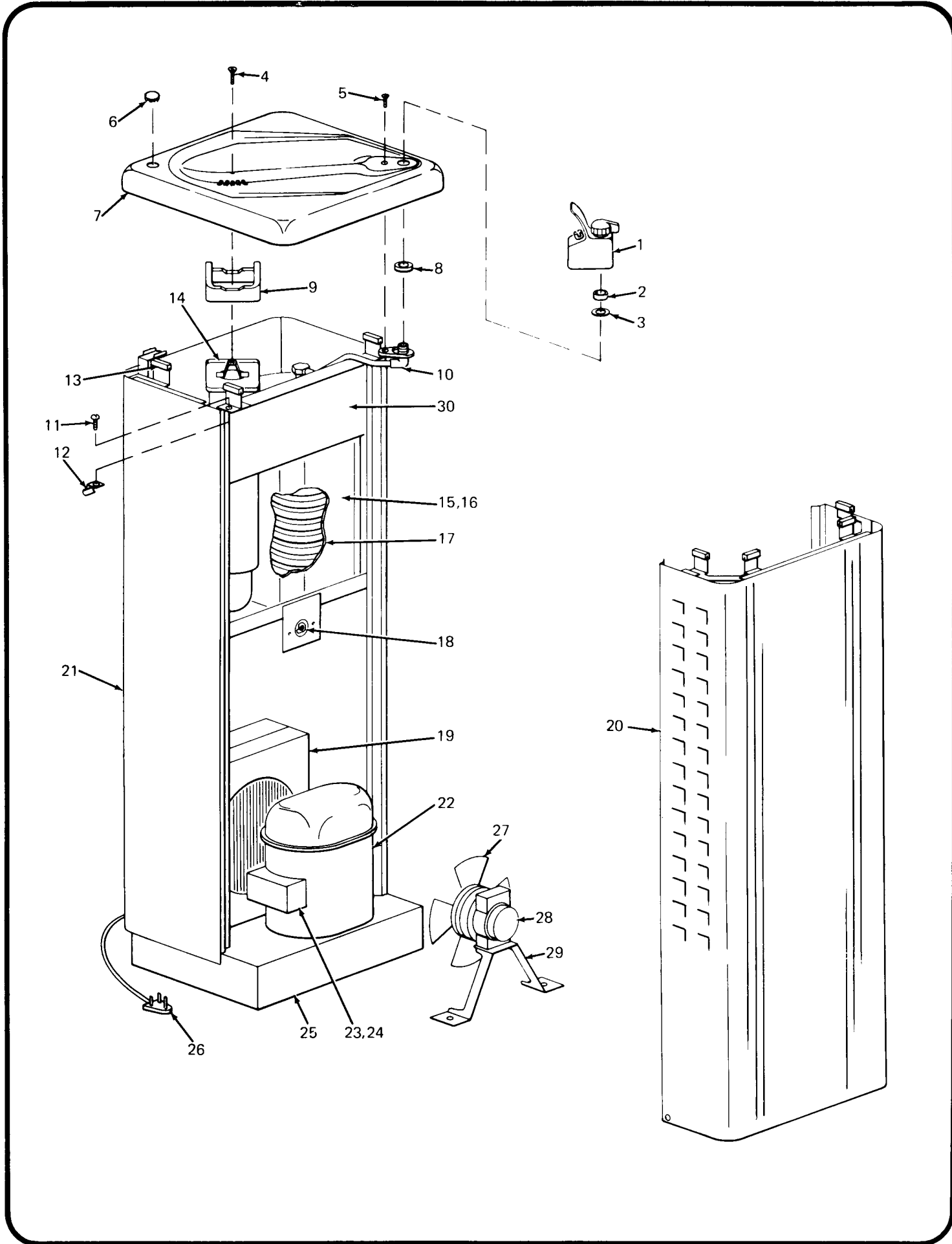
The electrical circuit includes automatic overload protection, and an adjustable cold control for water temperature regulation.

SPECIFICATIONS

Voltage	115 VAC \pm 10%/1PH/60 Hertz
Size	40" H., 15" W., 15" D.
Shipping Weight (Approx)	112 LBS.
Cold Water Capacity*	13 GPH
Compressor	1/4 HP
Compressor (Full Load)	5.5 Amps
Refrigerant	R-12
Refrigerant Charge	4-3/4 OZ.

*A.R.I. Rating: Room Temperature 90°F; Supply Water Temperature 80°F; Drinking Water Temperature 50°F.

Specifications subject to change without notice.



PARTS LIST

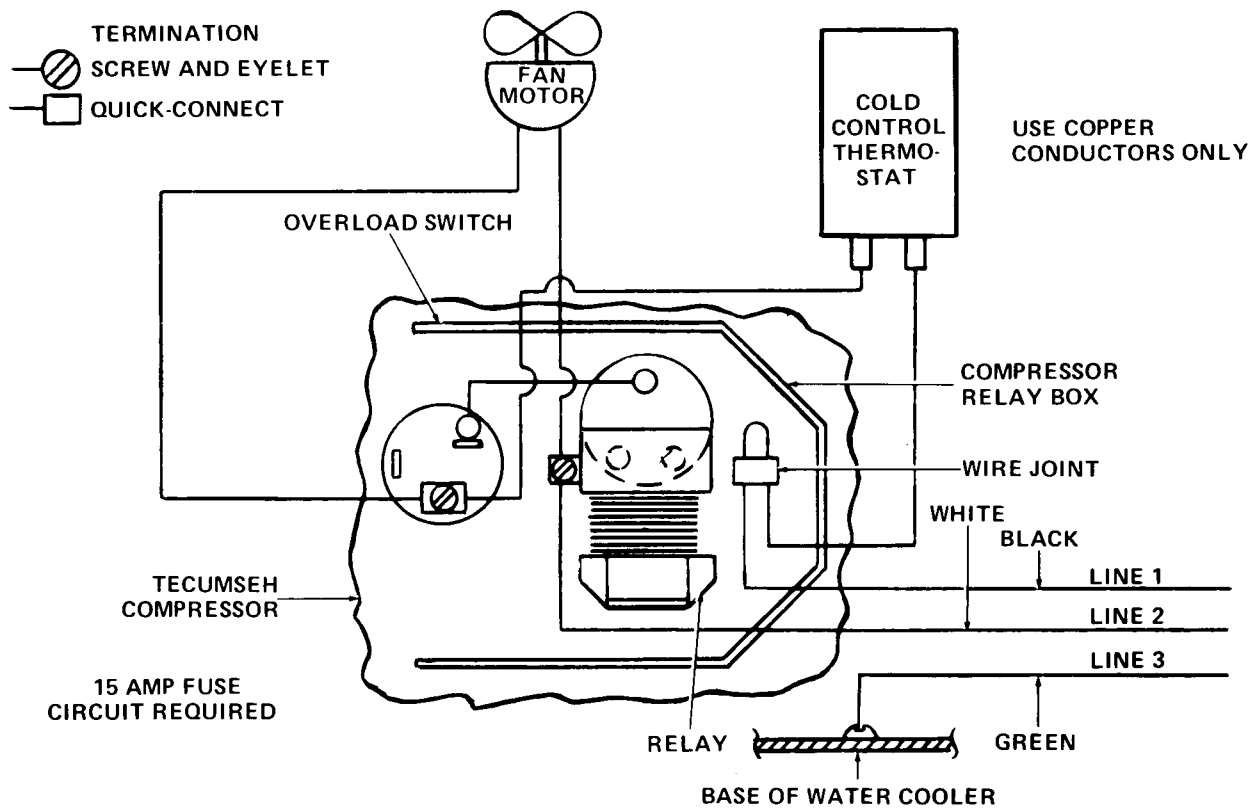
ITEM NO.	DESCRIPTION	13P-1 WEEC13	13PL-1 WEEC13J
1	Bubbler Valve	026551-002	026551-002
2	Valve Body Gasket	008983	008983
3	Friction Washer	009281	009281
4	Drain Screw	026655-002	026655-002
5	Spud Screw	026680-005	026680-005
6	Hole Cover	016994	016994
7	Top	026092	026092
8	Gasket (Under Top)	010545	010545
9	Waste Gasket	015442	015442
10	Top Supply Line	024976	024976
11	Screw	026630-011	026630-011
12	Speed Nut Clip	012253	012253
13	Top Pads	011641	011641
14	Precooler	019380	019380
15	Cooling Tank Insulation 1/2	019382	019382
16	Cooling Tank Insulation 1/2	019383	019383
17	Cooling Tank	019447	019457
18	Cold Control	027040-008	027040-008
19	Condenser	018252	018252
20	Front Panel – Tan	015371-001	015668
	Front Panel – Stainless Steel	015371-003	015668STN
	Front Panel – Olive Beige, W/W*	015371-005	025829
21	Cabinet (Specify Color)	019446	019456
	Cabinet – Stainless Steel	019446STN	019456STN
22	Compressor (Includes Items 23 and 24)	027495-006	027495-006
23	Overload	017977	017977
24	Relay	018461	018461
25	Base – Black	018560-003	018560-003
	Base – Stainless Steel	018560-004	018560-004
	Base – Tan	018560-001	018560-001
	Base – Olive Beige, W/W*	018560-002	018560-002
26	Service Cord	026540-005	026540-005
27	Fan Blade	022977	022977
28	Fan Motor	027354-008	027354-008
29	Fan Bracket	017530	017530
30	Lowside Panel	019782	019782
NOT SHOWN			
	Heat Exchanger	019448	019458
	Fan Shroud	017821	017821

* W/W = White Westinghouse

SERVICE CHECK CHART

TROUBLE	PROBABLE CAUSE	REMEDY
Unit not running	No electrical power Defective cold control Defective relay	Check power source Check that cold control is not in off position Replace Replace
Unit running but not cooling	Refrigerant leak or low refrigerant	Add refrigerant
Unit running continuously	Defective cold control Low refrigerant	Replace Add refrigerant

ELECTRICAL DIAGRAM



EBCO[®] MANUFACTURING COMPANY

265 N. Hamilton Rd. • P.O. Box 13150 • Columbus, OH 43213-0150 • 614/861-1350 • Cable EBCO • Telex 246637