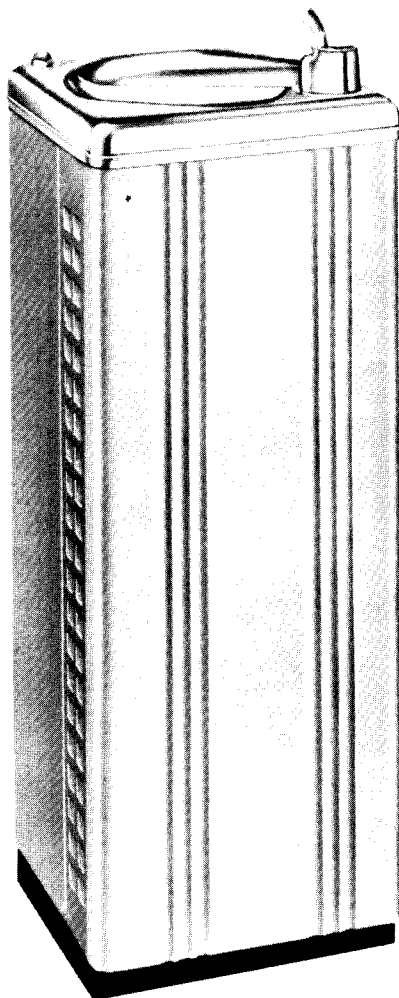


# SERVICE INSTRUCTIONS

...with Illustrated Parts Breakdown

## EBCO<sup>®</sup>

### WATER COOLER MODELS: 7P-1 & WEEC07



#### DESCRIPTION

This model provides drinking water cooled to 50° F at 7 gallons per hour. The unit is free-standing and self-supporting and requires connections to supply water, electrical power and waste drain.

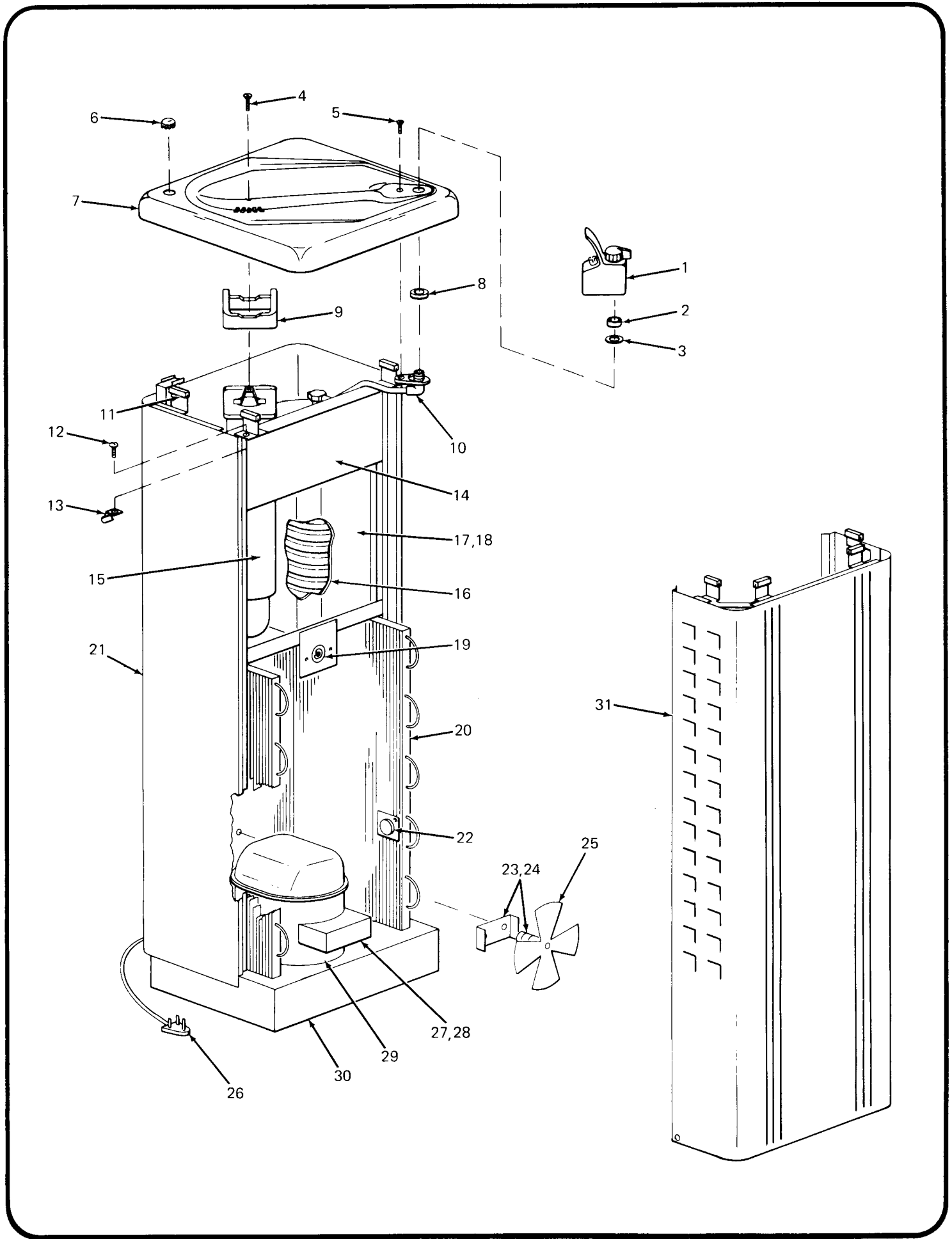
The refrigeration system is hermetically sealed at manufacture and is generally considered to be non-field-serviceable. The air-cooled compressor pumps refrigerant through the convection-cooled condenser and a capillary tube (expansion valve) to the cooling tank evaporator. The evaporator is wrapped around the cooling tank for high efficiency. A pre-cooler routes supply water around cold drain water to cool incoming water.

The electrical circuit includes automatic overload protection, and an adjustable cold control for water temperature regulation. A thermostatically controlled fan provides additional condenser cooling as required.

#### SPECIFICATIONS

Voltage	115 VAC $\pm$ 10%/1PH/60 Hertz
Size	40" H., 15" W., 15" D.
Shipping Weight (Approx)	162 LBS.
Cold Water Capacity*	7 GPH
Compressor	1/8 HP
Compressor (Full Load)	3.1 Amps
Refrigerant	R12
Refrigerant Charge	4 OZ.

\*A.R.I. Ratings: Room Temperature 90° F; Supply Water Temperature 80° F; Drinking Water Temperature 50° F. Specifications subject to change without notice.



## PARTS LIST

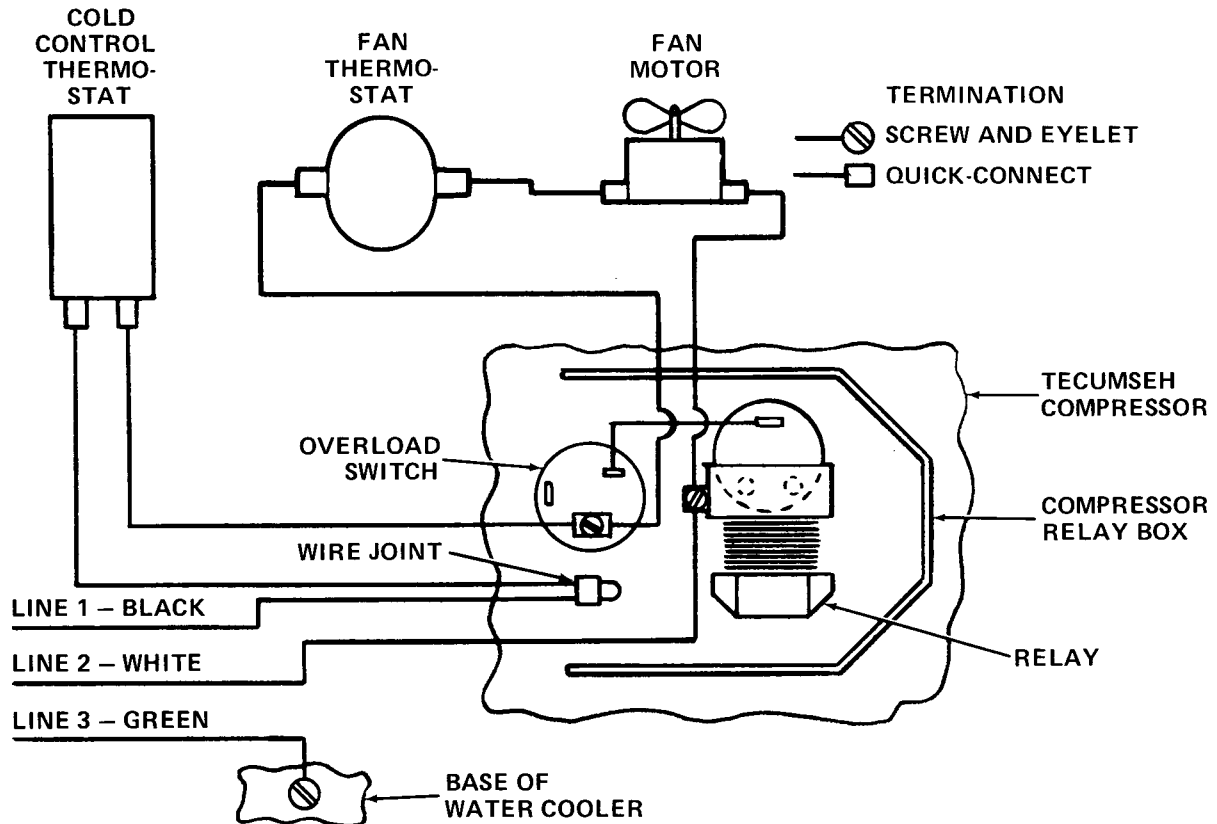
ITEM NO.	DESCRIPTION	7P-1 WEEC07
1	Bubbler Valve . . . . .	026551-002
2	Valve Body Gasket . . . . .	008983
3	Washer . . . . .	009281
4	Drain Screw . . . . .	026655-002
5	Bubbler Spud Screw . . . . .	026680-005
6	Hole Cover . . . . .	016994
7	Top . . . . .	026092
8	Gasket (Under Top) . . . . .	010545
9	Waste Gasket . . . . .	015442
10	Top Supply Line . . . . .	024976
11	Top Pad . . . . .	011641
12	Screw . . . . .	026630-011
13	Clip . . . . .	012253
14	Lowside Panel . . . . .	019782
15	Precooler . . . . .	019380
16	Cooling Tank . . . . .	019373
17	Cooling Tank Insulation, 1/2 . . . . .	019382
18	Cooling Tank Insulation, 1/2 . . . . .	019383
19	Cold Control . . . . .	027040-008
20	Condenser . . . . .	016302
21	Cabinet (Specify Color) . . . . .	019369
	Cabinet – Stainless Steel . . . . .	019369 STN
22	Fan Thermostat . . . . .	017480
23	Fan Bracket . . . . .	017443
24	Fan Motor . . . . .	017079
25	Fan Blade . . . . .	017067
26	Service Cord . . . . .	026540-005
27	Relay . . . . .	016941
28	Overload . . . . .	017560
29	Compressor (Includes Items 27 and 28) . . . . .	017562
30	Base – Tan . . . . .	019367-001
	Base – Stainless Steel . . . . .	019367 STN
	Base – Olive Beige, W/W* . . . . .	019367-002
31	Front Panel – Tan . . . . .	015371-001
	Front Panel – Stainless Steel . . . . .	015371-003
	Front Panel – Olive Beige, W/W* . . . . .	015371-005
**	Heat Exchanger Assembly . . . . .	019377

\* W/W = White Westinghouse  
 \*\* Not Shown

## SERVICE CHECK CHART

TROUBLE	PROBABLE CAUSE	REMEDY
Unit not running	No electrical power  Defective cold control Defective relay	Check power source Check that cold control is not in off position Replace Replace
Unit running but not cooling	Refrigerant leak or low refrigerant	Add refrigerant
Unit running continuously	Defective cold control Low refrigerant	Replace Add refrigerant

### ELECTRICAL DIAGRAM



**EBCO<sup>®</sup> MANUFACTURING COMPANY**

265 NORTH HAMILTON ROAD • COLUMBUS, OHIO 43213 • PHONE 614/861-1350 • CABLE: EBCO • TELEX: 246637