

MECHANICAL FAUCETS

987-909CAGCP



Ball Valves

Product Type

Panel Mounted Y Pattern Wall Flange with Two Ball Valves @ 90°

Features & Specifications

- Single Ball Valve
- Full Flow Nozzle
- 2 5/8" Threaded Inlet and Shank Assembly
- 909 VALVE IS CERTIFIED FOR GAS SERVICE PER ANSI Z21.15B-2006/CSA BY THE CANADIAN STANDARDS ASSOCIATION

Warranty

- Lifetime Limited Faucet Warranty
- 5-Year Limited Cartridge Warranty
- 1-Year Limited Finish Warranty

Codes & Standards

- ANSI Z21.15b-2006/CSA 9.1b-2006
- ADA ANSI/ICC A117.1

Job Name _____

Item Number _____

Section/Tag _____

Model Specified _____

Architect _____

Engineer _____

Contractor _____

Submitted as Shown Submitted with Variations

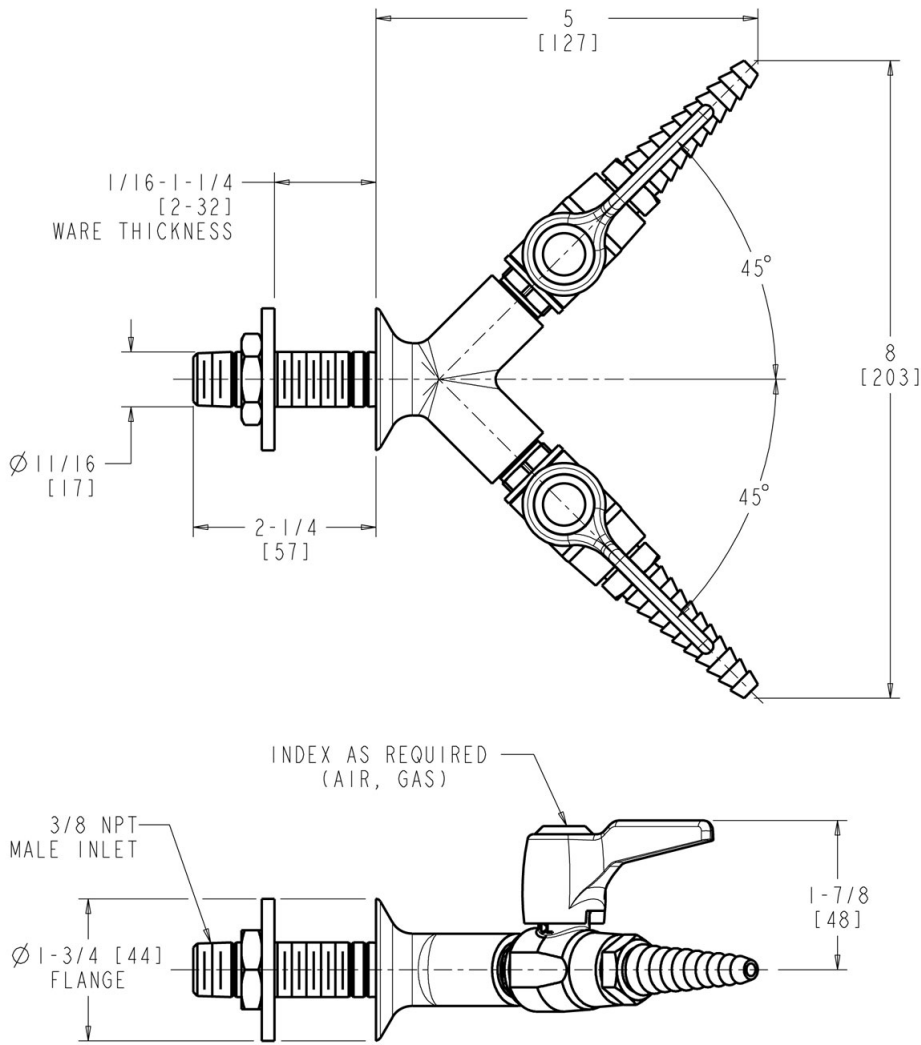
Date _____



2100 South Clearwater Drive
Des Plaines, IL
P: 847/803-5000
F: 847/803-5454
Technical: 800/TEC-TRUE
www.chicagofaucets.com

Architect/Engineer Specification

Chicago Faucets No. 987-909CAGCP polished chrome plated solid brass construction. Single ball valve. Full flow laboratory 30 degree angled serrated nozzle nozzle. Integral inlet shank(s). 909 valve is certified for gas service per ANSI Z21.15B-2006/CSA by the Canadian standards association. Mounting hardware included.



Operation and Maintenance

Installation should be in accordance with local plumbing codes. Flush all pipes thoroughly before installation. After installation, remove spout outlet or flow control and flush faucet thoroughly to clear any debris. Care should be taken when cleaning the product. Do not use abrasive cleaners, chemicals or solvents as they can result in surface damage. Use mild soap and warm water for cleaning and protecting the life of Chicago Faucet products. For specific operation and maintenance refer to the installation instructions and repair parts documents that are located at www.chicagofaucets.com.

Chicago Faucets, member of the Geberit Group, is the leading brand of commercial faucets and fittings in the United States, offering a complete range of products for schools, laboratories, hospitals, office buildings, food service, airports and sport facilities. Call 1.800.TECTRUE or 1.847.803.5000 Option 1 for installation or other technical assistance.



2100 South Clearwater Drive
Des Plaines, IL
P: 847/803-5000
F: 847/803-5454
Technical: 800/TEC-TRUE
www.chicagofaucets.com