

# MECHANICAL FAUCETS

## 954-CHAGVCP

### Needle Valves

#### Product Type

Panel Mounted Single Needle Valve

#### Features & Specifications

- Full Flow Nozzle
- 2 1/2" Cross Handle
- Needle Valve Compression Operating Cartridge
- 3/8" NPT Female Thread Inlet

#### Warranty

- Lifetime Limited Faucet Warranty
- 5-Year Limited Cartridge Warranty
- 1-Year Limited Finish Warranty

#### Codes & Standards

- ANSI Z21.15b-2006/CSA 9.1b-2006

Job Name \_\_\_\_\_

Item Number \_\_\_\_\_

Section/Tag \_\_\_\_\_

Model Specified \_\_\_\_\_

Architect \_\_\_\_\_

Engineer \_\_\_\_\_

Contractor \_\_\_\_\_

Submitted as Shown       Submitted with Variations

Date \_\_\_\_\_



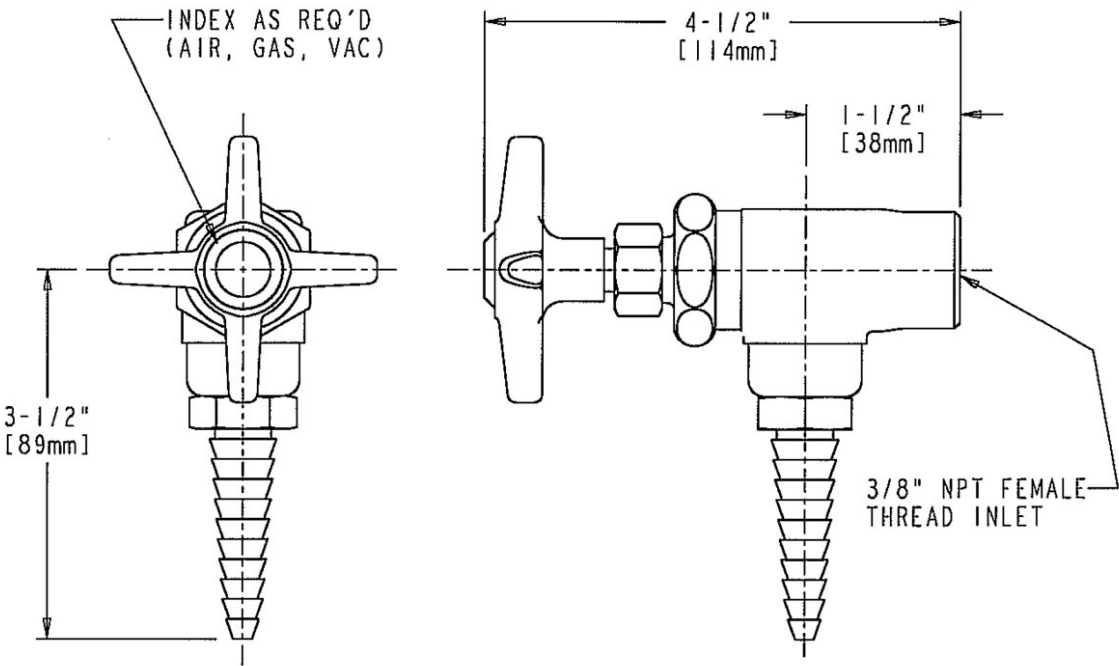
# 954-CHAGVCP

## Needle Valves



### Architect/Engineer Specification

Chicago Faucets No. 954-CHAGVCP polished chrome plated solid brass construction. Full flow laboratory serrated nozzle. 2 1/2" metal cross handle(s) with eight point tapered broach and air, gas or vac button. Integral inlet shank(s) contains standard 3/8" NPT female thread inlet. Mounting hardware included.



### Operation and Maintenance

Installation should be in accordance with local plumbing codes. Flush all pipes thoroughly before installation. After installation, remove spout outlet or flow control and flush faucet thoroughly to clear any debris. Care should be taken when cleaning the product. Do not use abrasive cleaners, chemicals or solvents as they can result in surface damage. Use mild soap and warm water for cleaning and protecting the life of Chicago Faucet products. For specific operation and maintenance refer to the installation instructions and repair parts documents that are located at [www.chicagofaucets.com](http://www.chicagofaucets.com).

Chicago Faucets, member of the Geberit Group, is the leading brand of commercial faucets and fittings in the United States, offering a complete range of products for schools, laboratories, hospitals, office buildings, food service, airports and sport facilities. Call 1.800.TECTRUE or 1.847.803.5000 Option 1 for installation or other technical assistance.



2100 South Clearwater Drive  
Des Plaines, IL  
P: 847/803-5000  
F: 847/803-5454  
Technical: 800/TEC-TRUE  
[www.chicagofaucets.com](http://www.chicagofaucets.com)