

Needle Valves

Product Type

Panel Mounted Single Needle Valve

Features & Specifications

- Full Flow Nozzle
- 2 1/2" Cross Handle
- Needle Valve Compression Operating Cartridge
- 3/8" - 18 NPT Male Thread Inlet
- 937 VALVE IS CERTIFIED FOR GAS SERVICE PER ANSI Z21.15B-2006/CSA BY THE CANADIAN STANDARDS ASSOCIATION

Warranty

- Lifetime Limited Faucet Warranty
- 5-Year Limited Cartridge Warranty
- 1-Year Limited Finish Warranty

Codes & Standards

- ANSI Z21.15b-2006/CSA 9.1b-2006

Job Name _____

Item Number _____

Section/Tag _____

Model Specified _____

Architect _____

Engineer _____

Contractor _____

Submitted as Shown Submitted with Variations

Date _____



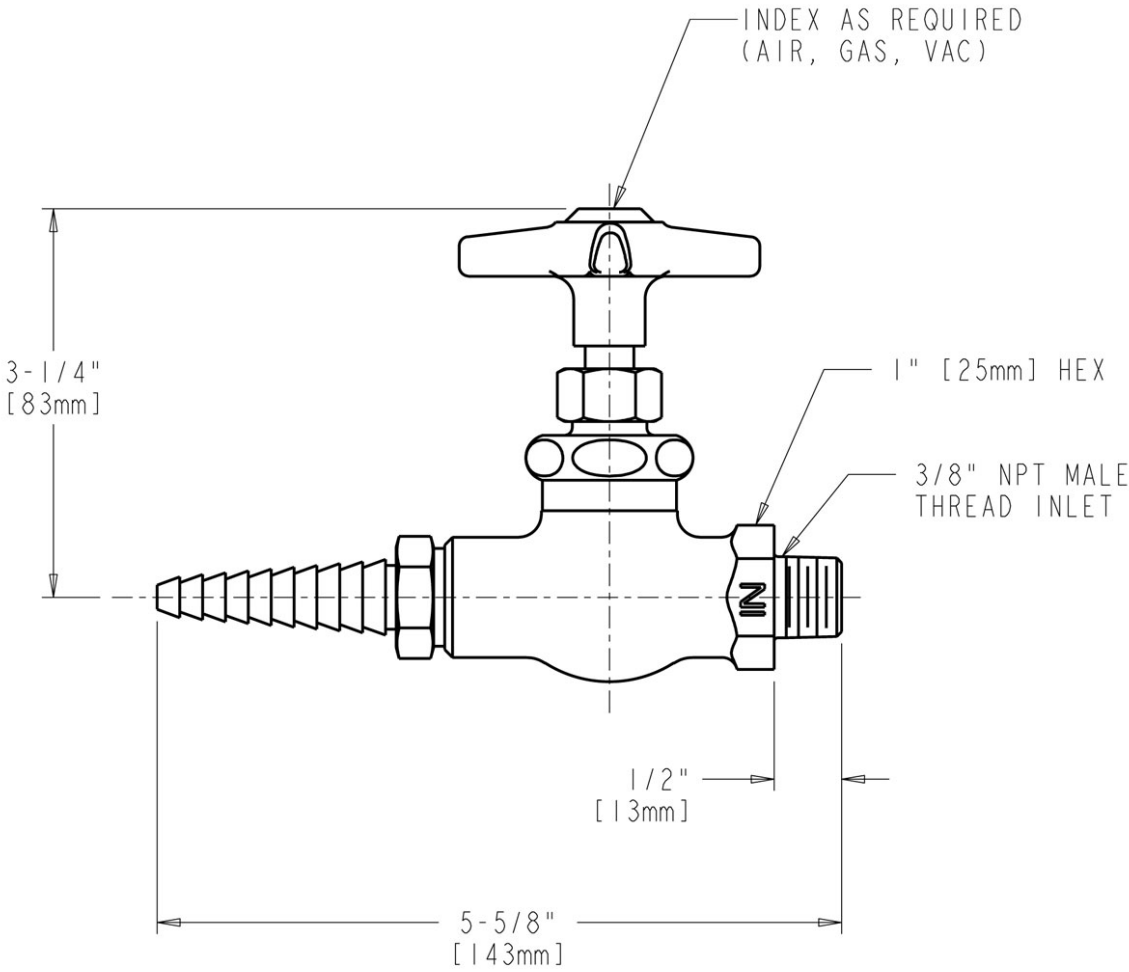
937-CHAGVCP

Needle Valves



Architect/Engineer Specification

Chicago Faucets No. 937-CHAGVCP polished chrome plated solid brass construction. Full flow laboratory serrated nozzle. 2 1/2" metal cross handle(s) with eight point tapered broach and air, gas or vac button. Integral inlet shank(s) contains standard 3/8" - 18 NPT male thread inlet. 937 valve is certified for gas service per ANSI Z21.15B-2006/CSA by the Canadian standards association. Mounting hardware included.



Operation and Maintenance

Installation should be in accordance with local plumbing codes. Flush all pipes thoroughly before installation. After installation, remove spout outlet or flow control and flush faucet thoroughly to clear any debris. Care should be taken when cleaning the product. Do not use abrasive cleaners, chemicals or solvents as they can result in surface damage. Use mild soap and warm water for cleaning and protecting the life of Chicago Faucet products. For specific operation and maintenance refer to the installation instructions and repair parts documents that are located at www.chicagofaucets.com.

Chicago Faucets, member of the Geberit Group, is the leading brand of commercial faucets and fittings in the United States, offering a complete range of products for schools, laboratories, hospitals, office buildings, food service, airports and sport facilities. Call 1.800.TECTRUE or 1.847.803.5000 Option 1 for installation or other technical assistance.



2100 South Clearwater Drive
Des Plaines, IL
P: 847/803-5000
F: 847/803-5454
Technical: 800/TEC-TRUE
www.chicagofaucets.com