

Flushing Rim Sink Faucet

Product Type

Flushing Rim Sink Faucet

Features & Specifications

- 7 1/8" C-C Cast Spout with Pail Hook and Wall Brace
- Plain Outlet End
- 6" Metal Wristblade Handles with Secured Red and Blue Service Buttons
- Quatum™ Operating Cartridges
- 2 1/2" Offset Adjustable Supply Arms with 1/2" NPT Female Thread Inlet and Integral Service Stop
- 2" Inlet Supply Extensions

Performance Specification

- Rating Operating Pressure: 20-125 PSI
- Rated Operating Temperature: 40-140°F

Warranty

- Lifetime Limited Faucet Warranty
- 5-Year Limited Cartridge Warranty
- 1-Year Limited Finish Warranty

Compliant To

- ASME A112.18.1M
- CSA B125.1
- NSF 61, Section 9
- ADA ANSI/ICC A117.1

Job Name _____

Item Number _____

Section/Tag _____

Model Specified _____

Architect _____

Engineer _____

Contractor _____

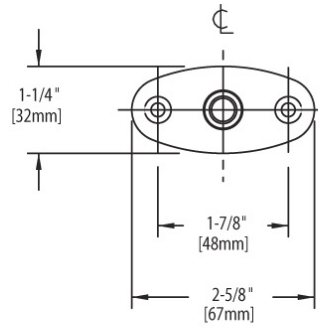
Submitted as Shown Submitted with Variations

Date _____

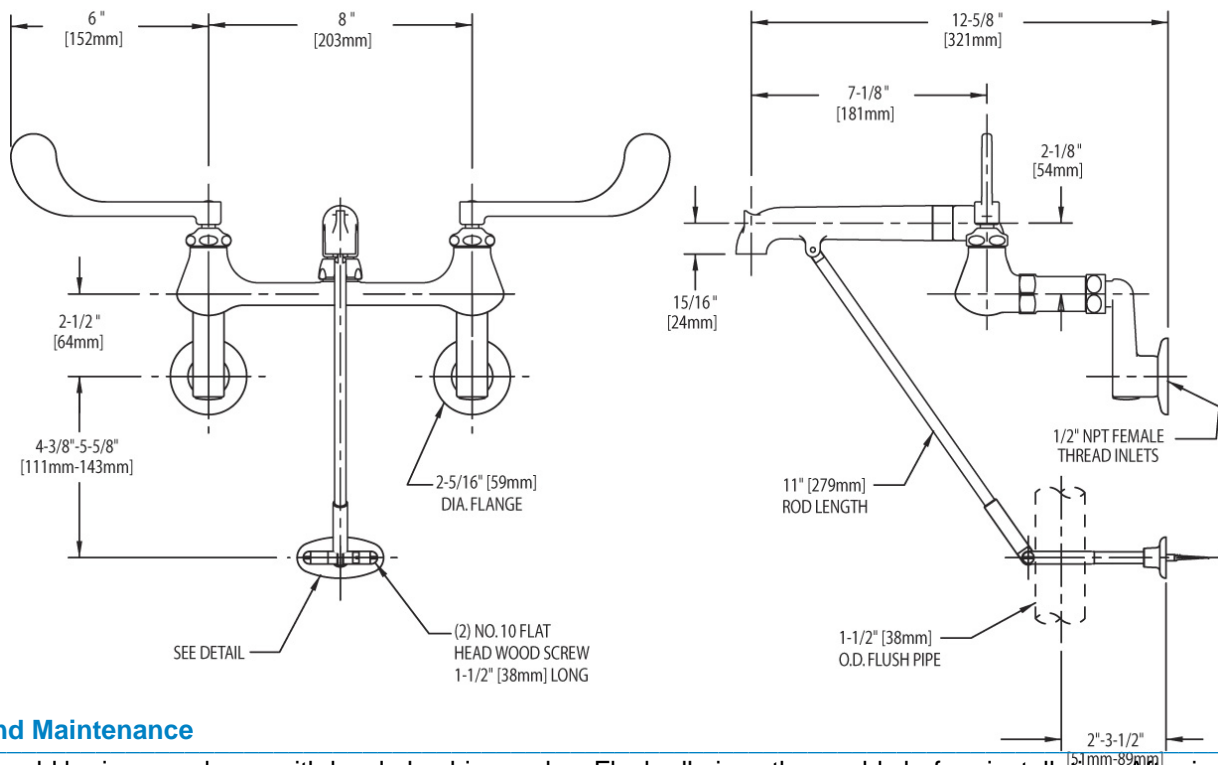


Architect/Engineer Specification

Chicago Faucets No. 814-CP, polished chrome plated solid cast brass construction. Rigid plain outlet spout with pail hook and flush valve pipe support. 6" elbow blade handles with eight-point tapered broach and secured, color-coded index buttons. Quatum™ quarter-turn renewable compression cartridge designed to close with water pressure, with square tapered broach feature to help facilitate handle removal. Adjustable inlet supply arms on 5 5/8" - 12 5/8" centers with integral service stops and inlet extensions. This product meets ADA requirements and is tested and certified to ASME A112.18.1 and CSA B125 industry standards.



FLANGE DETAIL



Operation and Maintenance

Installation should be in accordance with local plumbing codes. Flush all pipes thoroughly before installation. After installation, remove spout outlet or flow control and flush faucet thoroughly to clear any debris. Care should be taken when cleaning the product. Do not use abrasive cleaners, chemicals or solvents as they can result in surface damage. Use mild soap and warm water for cleaning and protecting the life of Chicago Faucet products. For specific operation and maintenance refer to the installation instructions and repair parts documents that are located at www.chicagofaucets.com.

Chicago Faucets, member of the Geberit Group, is the leading brand of commercial faucets and fittings in the United States, offering a complete range of products for schools, laboratories, hospitals, office buildings, food service, airports and sport facilities. Call 1.800.TECTRUE or 1.847.803.5000 Option 1 for installation or other technical assistance.

