

MECHANICAL FAUCETS

1332-E22E7CP



Multiple Service Fixtures

Product Type

Deck Mounted Combination Triple Service Fixture

Features & Specifications

- Full Flow Nozzle
- 2 1/2" Cross Handle
- Slow Compression Operating Cartridge
- (2) 3/8" NPT Male Thread Inlet Shank Assemblies
- Valve Body with (2) 3/8" Female Inlets and 3/8" - 18 NPSM Female Outlet
- (2) Ball Valves with Check and Full Flow Serrated Nozzles and Gas Index Buttons
- 909 VALVE IS CERTIFIED FOR GAS SERVICE PER ANSI Z21.15B-2006/CSA BY THE CANADIAN STANDARDS ASSOCIATION

Performance Specification

- Rating Operating Pressure: 0-0.5 PSI

Warranty

- Lifetime Limited Faucet Warranty
- 5-Year Limited Cartridge Warranty
- 1-Year Limited Finish Warranty

Codes & Standards

- ANSI Z21.15b-2006/CSA 9.1b-2006

Job Name _____

Item Number _____

Section/Tag _____

Model Specified _____

Architect _____

Engineer _____

Contractor _____

Submitted as Shown Submitted with Variations

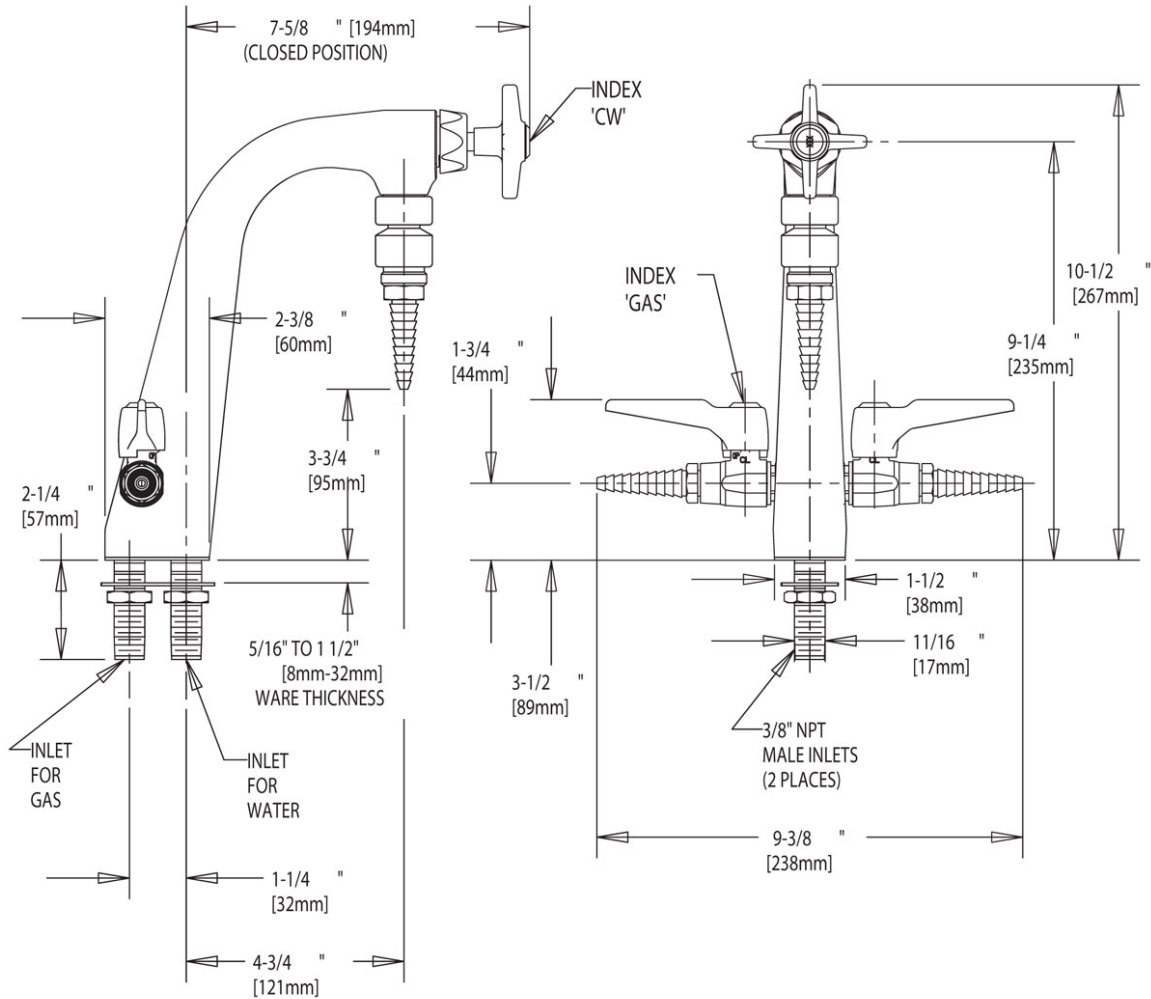
Date _____



2100 South Clearwater Drive
 Des Plaines, IL
 P: 847/803-5000
 F: 847/803-5454
 Technical: 800/TEC-TRUE
 www.chicagofaucets.com

Architect/Engineer Specification

Chicago Faucets No. 1332-E22E7CP polished chrome plated solid brass construction. Full flow back flow preventer with serrated nozzle nozzle. 2 1/2" black nylon cross handle(s) with tapered square and cw button. Slow compression rebuildable cartridge, opens and closes 360° for fine adjustment, closes with water pressure, features square tapered stem. Integral inlet shank(s) contains standard (2) 3/8" NPT male thread inlet shank assemblies. Valve body with (2) 3/8" female inlets and 3/8" - 18 NPSM female outlet. (2) ball valves with check and Full flow serrated nozzles and gas index buttons. 909 valve is certified for gas service per ANSI Z21.15B-2006/CSA by the Canadian standards association. Mounting hardware included.



Operation and Maintenance

Installation should be in accordance with local plumbing codes. Flush all pipes thoroughly before installation. After installation, remove spout outlet or flow control and flush faucet thoroughly to clear any debris. Care should be taken when cleaning the product. Do not use abrasive cleaners, chemicals or solvents as they can result in surface damage. Use mild soap and warm water for cleaning and protecting the life of Chicago Faucet products. For specific operation and maintenance refer to the installation instructions and repair parts documents that are located at www.chicagofaucets.com.

Chicago Faucets, member of the Geberit Group, is the leading brand of commercial faucets and fittings in the United States, offering a complete range of products for schools, laboratories, hospitals, office buildings, food service, airports and sport facilities. Call 1.800.TECTRUE or 1.847.803.5000 Option 1 for installation or other technical assistance.

