

MECHANICAL FAUCETS

1301-GN2BVBE7CP

Multiple Service Fixtures

Product Type

Deck Mounted Combination Triple Service Fixture with Vacuum Breaker

Features & Specifications

- 6" Rigid / Swing Gooseneck Spout
- Full Flow Nozzle
- 2 1/2" Cross Handle
- Slow Compression Operating Cartridge
- 5 1/8" Threaded Inlet and Shank Assembly
- Valve Body with 1 1/16" Male Inlet and 3/8" Female Outlet
- Turret with Two Outlets @ 180 Degrees
- (2) Ball Valves with Full Flow Serrated Nozzles and Gas Index Buttons
- 909 VALVE IS CERTIFIED FOR GAS SERVICE PER ANSI Z21.15B-2006/CSA BY THE CANADIAN STANDARDS ASSOCIATION
- Atmospheric Vacuum Breaker, Not Intended for Continuous Pressure Applications
- CFNow! Item Ships in 5 Days

Performance Specification

- Rating Operating Pressure: 0-0.5 PSI

Warranty

- Lifetime Limited Faucet Warranty
- 5-Year Limited Cartridge Warranty
- 1-Year Limited Finish Warranty

Job Name _____

Item Number _____

Section/Tag _____

Model Specified _____

Architect _____

Engineer _____

Contractor _____

Submitted as Shown Submitted with Variations

Date _____

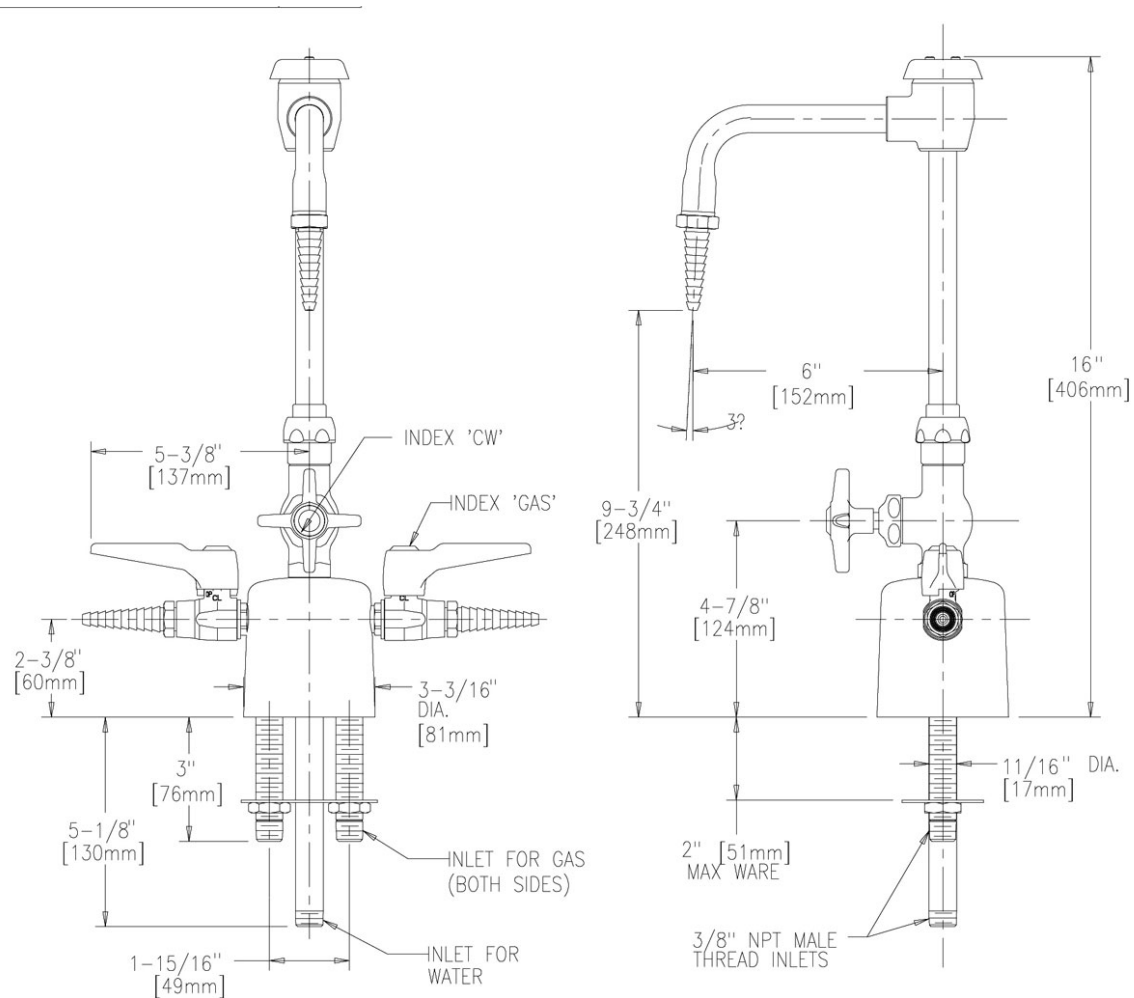


1301-GN2BVBE7CP

Multiple Service Fixtures

Architect/Engineer Specification

Chicago Faucets No. 1301-GN2BVBE7CP polished chrome plated solid brass construction. 6" center to center rigid / swing field convertable gooseneck spout. Full flow laboratory serrated nozzle. 2 1/2" metal cross handle(s) with eight point tapered broach and cw button. Slow compression rebuildable cartridge, opens and closes 360° for fine adjustment, closes with water pressure, features square tapered stem. Integral inlet shank(s). Valve body with 1 1/16" male inlet and 3/8" female outlet. Turret with two outlets @ 180 degrees. (2) ball valves with Full flow serrated nozzles and gas index buttons. 909 valve is certified for gas service per ANSI Z21.15B-2006/CSA by the Canadian standards association. Mounting hardware included.



Operation and Maintenance

Installation should be in accordance with local plumbing codes. Flush all pipes thoroughly before installation. After installation, remove spout outlet or flow control and flush faucet thoroughly to clear any debris. Care should be taken when cleaning the product. Do not use abrasive cleaners, chemicals or solvents as they can result in surface damage. Use mild soap and warm water for cleaning and protecting the life of Chicago Faucet products. For specific operation and maintenance refer to the installation instructions and repair parts documents that are located at www.chicagofaucets.com.

Chicago Faucets, member of the Geberit Group, is the leading brand of commercial faucets and fittings in the United States, offering a complete range of products for schools, laboratories, hospitals, office buildings, food service, airports and sport facilities. Call 1.800.TECTRUE or 1.847.803.5000 Option 1 for installation or other technical assistance.

