

CHICAGO FAUCETS
a Geberit company

2100 South Clearwater Drive
Des Plaines, IL 60018
Phone: 847-803-5000
Fax: 847-803-5454
www.chicagofaucets.com

REPAIR PARTS

BY: JAR DATE: 10-31-07
CHK: *[Signature]* REV:

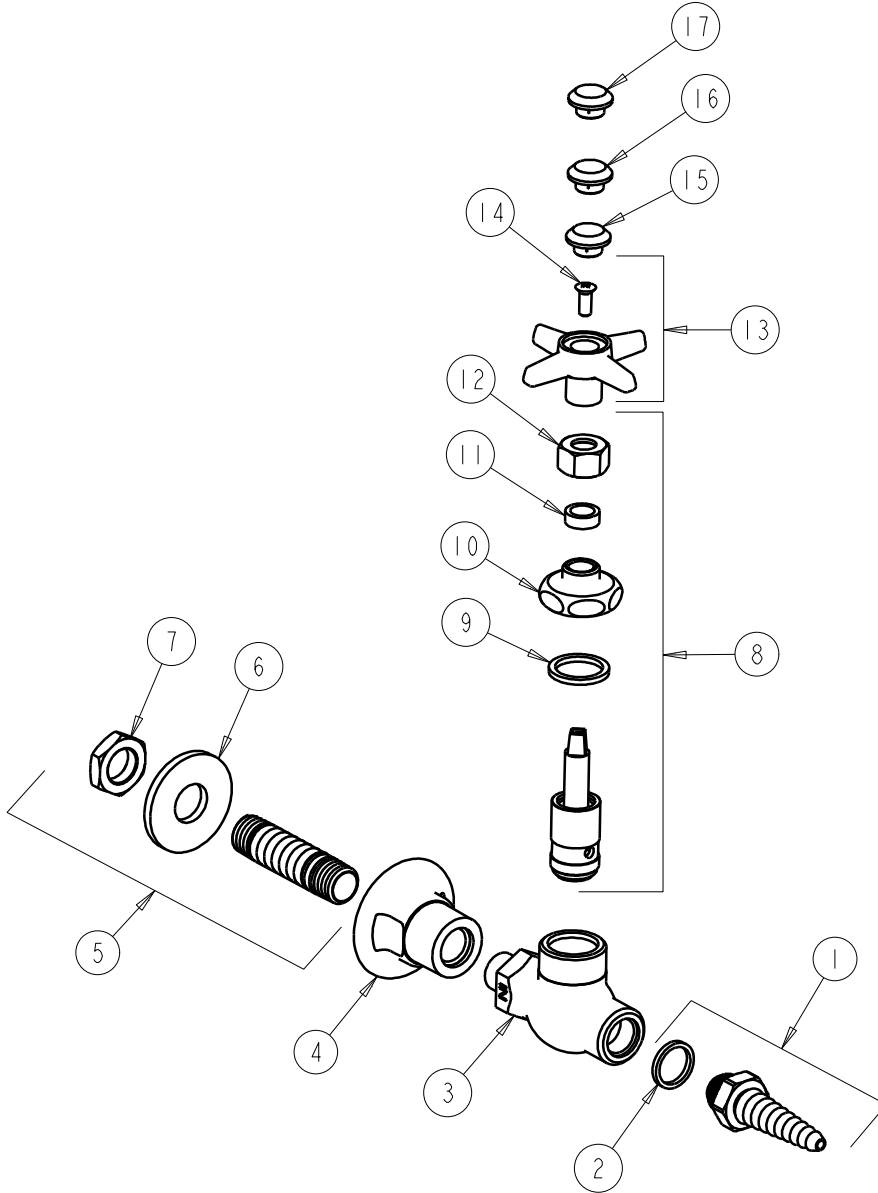
FITTING NO.

986-WSV937CHAGVCP

SUBMITTED MODEL NO.

ITEM NO.

FOR TECHNICAL ASSISTANCE
1-800-TEC-TRUE (1-800-832-8783)



ITEM	PART NO.	DESCRIPTION	ITEM	PART NO.	DESCRIPTION
1	E7JKCP	SERRATED HOSE NOZZLE	10	937-018JKRCF	CAP NUT
2	229-003JKNF	WASHER	11	244-217JKNF	PACKING
3	---	BODY (NOT SOLD SEPARATLY)	12	937-010JKCP	NUT
4	986-FCP	WALL FLANGE	13	204-LESS216-28JKCP	4-ARM HANDLE w/ SCREW
5	979-001KJKRBF	SHANK ASSEMBLY 2-5/8 X 3/8 NPT	14	420-010JKRCF	SCREW, 10-32 UNC PH 1/2
6	705-010JKNF	STEEL WASHER	15	216-328JKNF	BUTTON 'GAS'
7	705-008JKRBF	NUT	16	216-278JKNF	BUTTON 'AIR'
8	962-XJKNF	NEEDLE VALVE UNIT	17	216-378JKNF	BUTTON 'VAC'
9	1-043JKNF	CAP GASKET			