

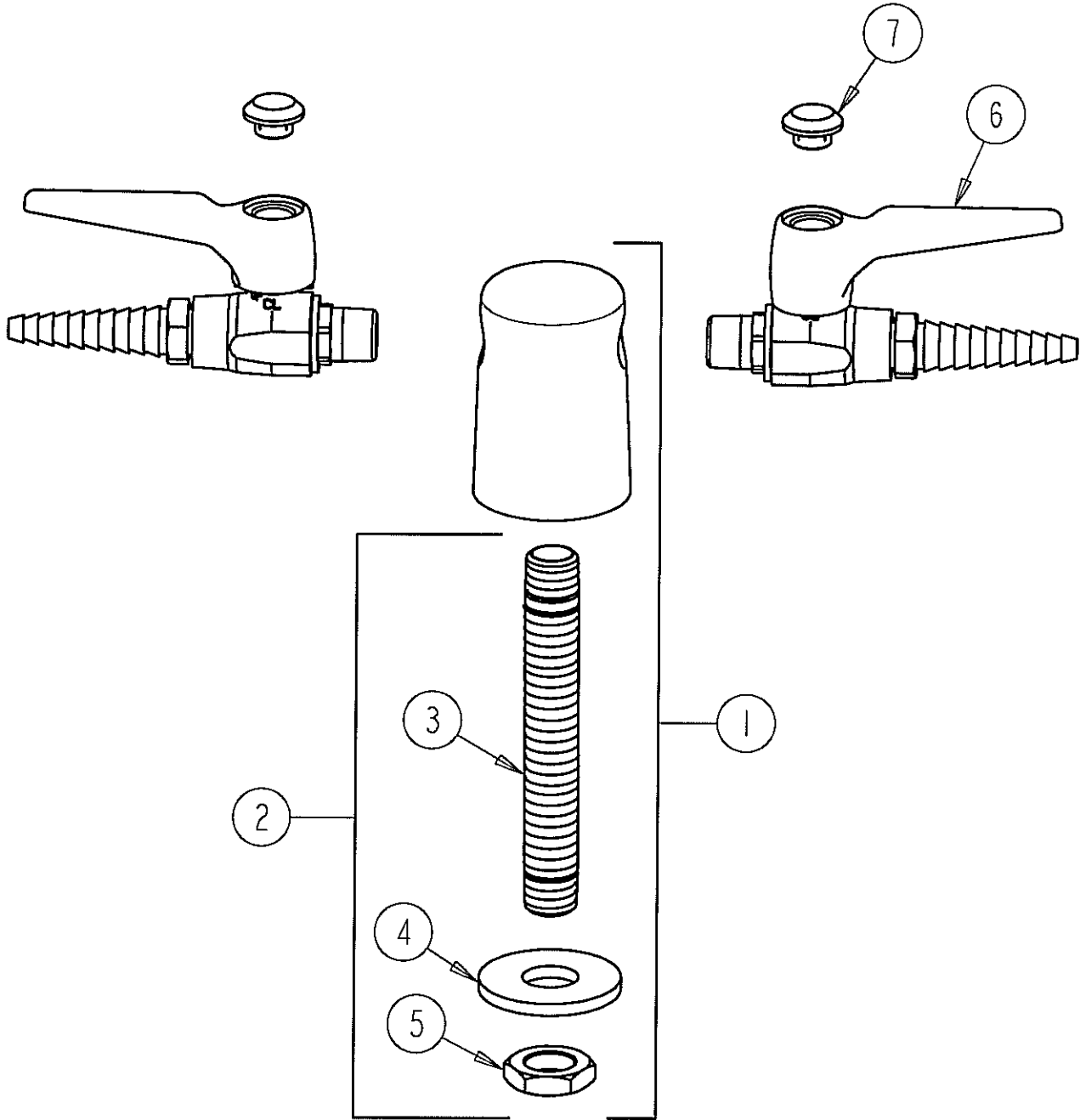
# PARTS LIST

BY: SID  
CHK'D: *AT*

**CHICAGO  
FAUCETS**  
a Galenit company

FINISH: AS SPECIFIED  
DATE: 05-06-04

981-WS909CAG



ITEM NO.	PART NO.	DESCRIPTION
1	981-WS	TURRET AND SHANK ASSEMBLY
2	957-003K	SHANK ASSEMBLY
3	957-003	MALE THREAD SHANK
4	705-010	WASHER
5	705-008	LOCKNUT
6	909-CLESS216-28	BALL VALVE WITH CHECK
7	216-328	'GAS' INDEX BUTTON
7A	216-278	'AIR' INDEX BUTTON