

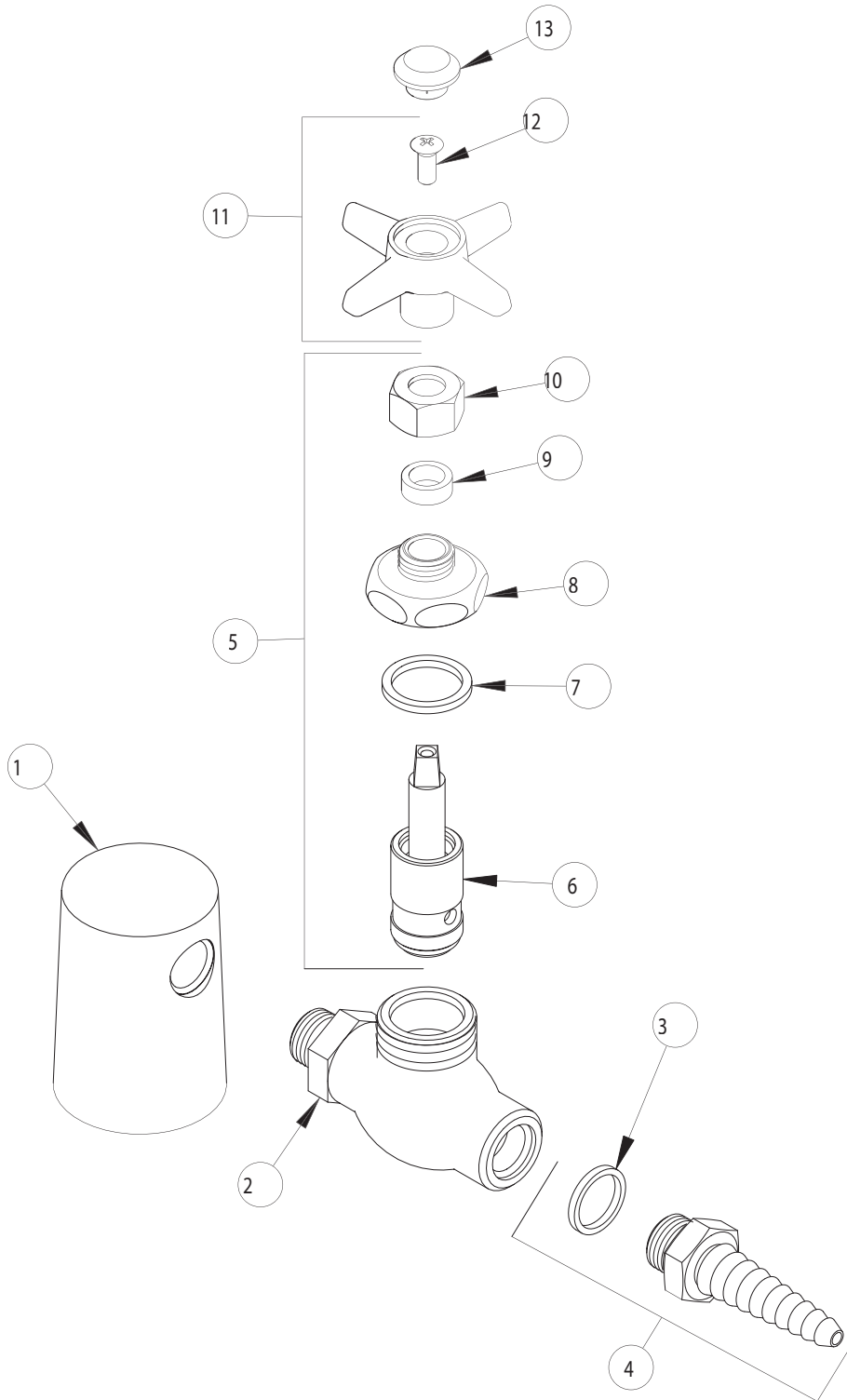
PARTS LIST

BY: SID
CHK'D:



FINISH: AS SPECIFIED
DATE: 10-31-01

980-937CHAGV



ITEM NO.	PART NO.	DESCRIPTION	ITEM NO.	PART NO.	DESCRIPTION
1	980	TURRET, SINGLE OUTLET	8	937-018	CAP NUT
2	-----	VALVE BODY (NOT SOLD SEPARATELY)	9		PACKING
3	229-003	WASHER	10	247-010	NUT
4	E7	LAB NOZZLE OUTLET	11	204-LESS216-28	4-ARM HANDLE ASSEMBLY
5	962X	NEEDLE VALVE UNIT	12	420-010	SCREW
6	-----	UNIT ASSEMBLY (NOT SOLD SEPARATELY)	13	216-PP	PRE-PACK AIR, GAS ,VAC
7	1-043	GASKET			