

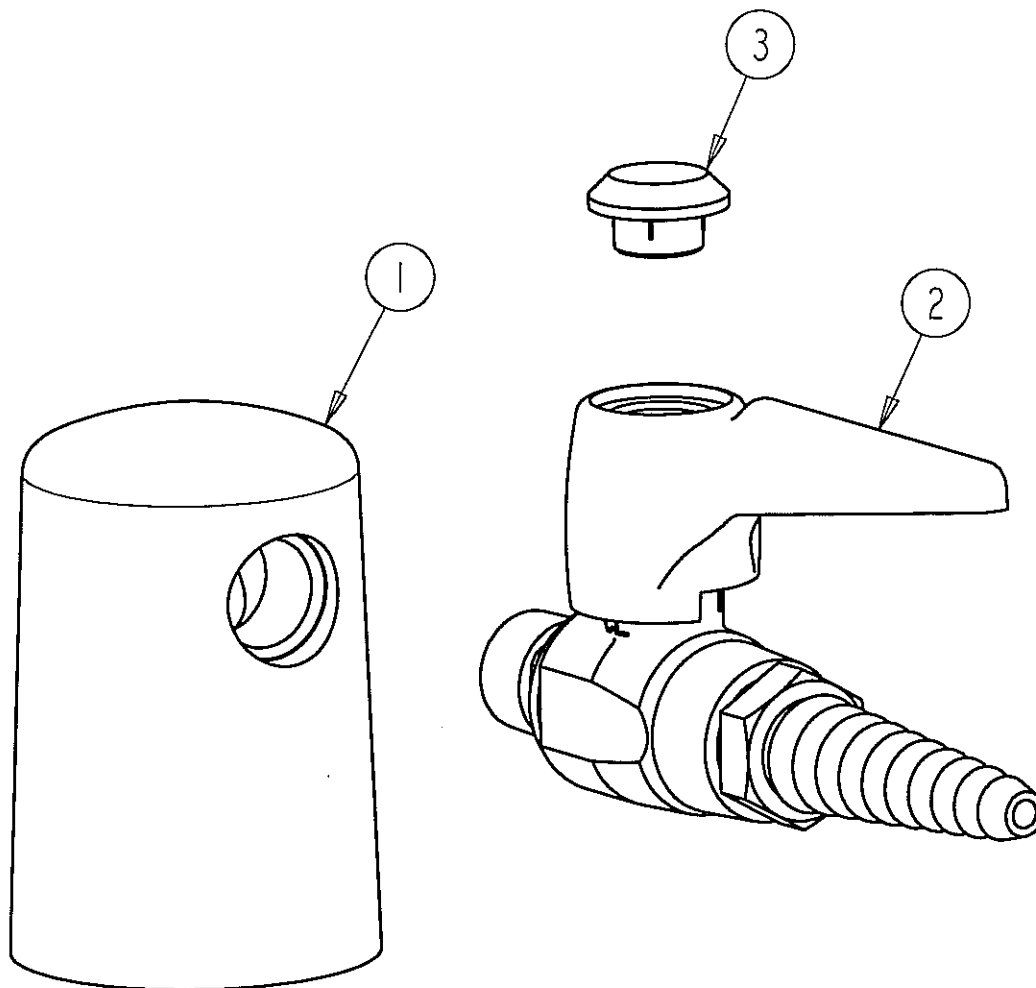
PARTS LIST

BY: SID
CHK'D: *AT*

**CHICAGO
FAUCETS**
a Geberit company

FINISH: AS SPECIFIED
DATE: 05-06-04

980-909CAG



ITEM NO.	PART NO.	DESCRIPTION
1	980	TURRET
2	909-CLESS216-28	BALL VALVE WITH CHECK
3	216-328	'GAS' INDEX BUTTON
3A	216-278	'AIR' INDEX BUTTON