

**CHICAGO FAUCETS**  
a Geberit company

2100 South Clearwater Drive  
Des Plaines, IL 60018  
Phone: 847-803-5000  
Fax: 847-803-5454  
www.chicagofaucets.com

**REPAIR PARTS**

FITTING NO.

**969-217XLHCTF**

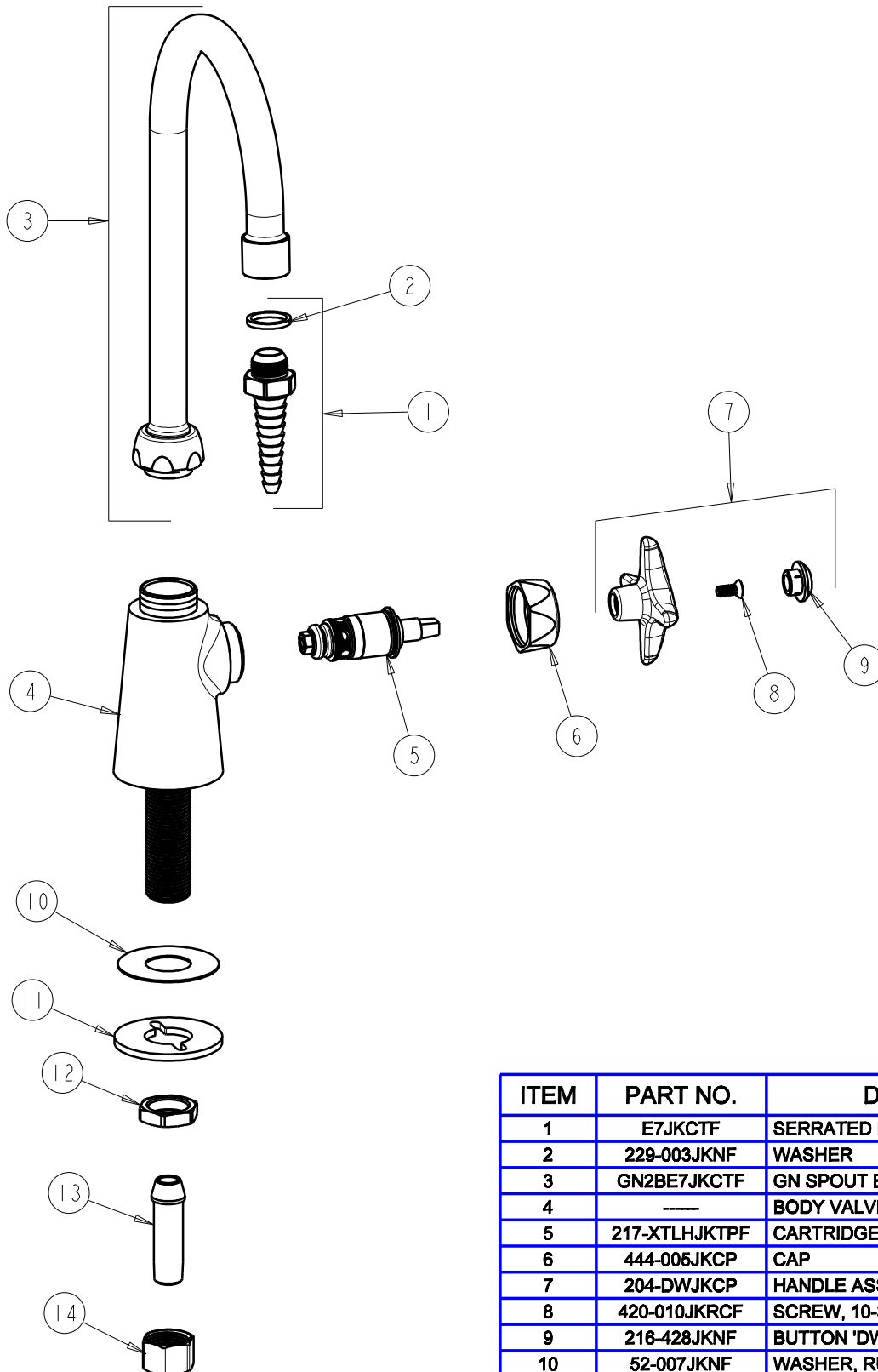
SUBMITTED MODEL NO.

ITEM NO.

BY: SID DATE: 04-09-02

CHK: *[Signature]* REV: 06-02-09

**FOR TECHNICAL ASSISTANCE**  
1-800-TEC-TRUE (1-800-832-8783)



ITEM	PART NO.	DESCRIPTION
1	E7JKCTF	SERRATED HOSE NOZZLE
2	229-003JKNF	WASHER
3	GN2BE7JKCTF	GN SPOUT B TYPE END
4	----	BODY VALVE (NOT SOLD SEPARATELY)
5	217-XTLHJKTPF	CARTRIDGE, SLO-COMPRESSION
6	444-005JKCP	CAP
7	204-DWJKCP	HANDLE ASSEMBLY
8	420-010JKRCF	SCREW, 10-32 UNC PH 1/2
9	216-428JKNF	BUTTON 'DW'
10	52-007JKNF	WASHER, RUBBER
11	807-112JKNF	WASHER
12	49-004JKRBF	LOCKNUT
13	45-006JKRBF	TAILPIECE
14	49-005JKRBF	COUPLING NUT