



2100 South Clearwater Drive
Des Plaines, IL 60018
Phone: 847-803-5000
Fax: 847-803-5454
www.chicagofaucets.com

REPAIR PARTS

BY: JAR DATE: 11-05-07
CHK: *[Signature]* REV:

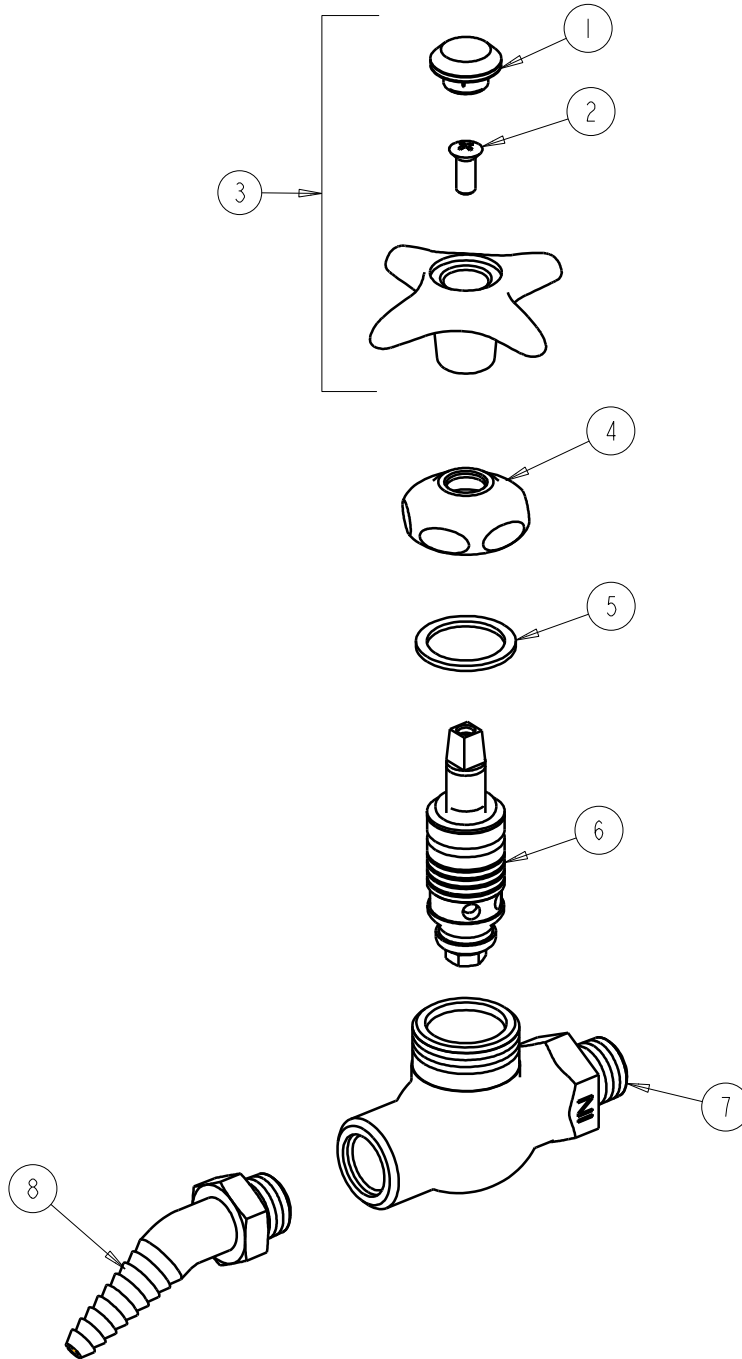
FITTING NO.

937-STCP

SUBMITTED MODEL NO.

ITEM NO.

FOR TECHNICAL ASSISTANCE
1-800-TEC-TRUE (1-800-832-8783)



ITEM	PART NO.	DESCRIPTION
1	216-228JKNF	BUTTON 'STM'
2	420-010JKRCF	SCREW, 10-32 UNC PH 1/2
3	205-STJKNF	PLASTIC HANDLE ASSEMBLY
4	1-214JKCP	CAP
5	1-343JKNF	GASKET
6	937-XSTJKNF	CARTRIDGE, SLO-COMP. (FOR STEAM)
7	---	BODY (NOT SOLD SEPARATLY)
8	E7XTJKCP	NOZZLE 30 DEGREE ANGLE