

**CHICAGO FAUCETS**  
a Geberit company

2100 South Clearwater Drive  
Des Plaines, IL 60018  
Phone: 847-803-5000  
Fax: 847-803-5454  
www.chicagofaucets.com

# REPAIR PARTS

FITTING NO.

**895-XKABCP**

SUBMITTED MODEL NO.

BY: SID

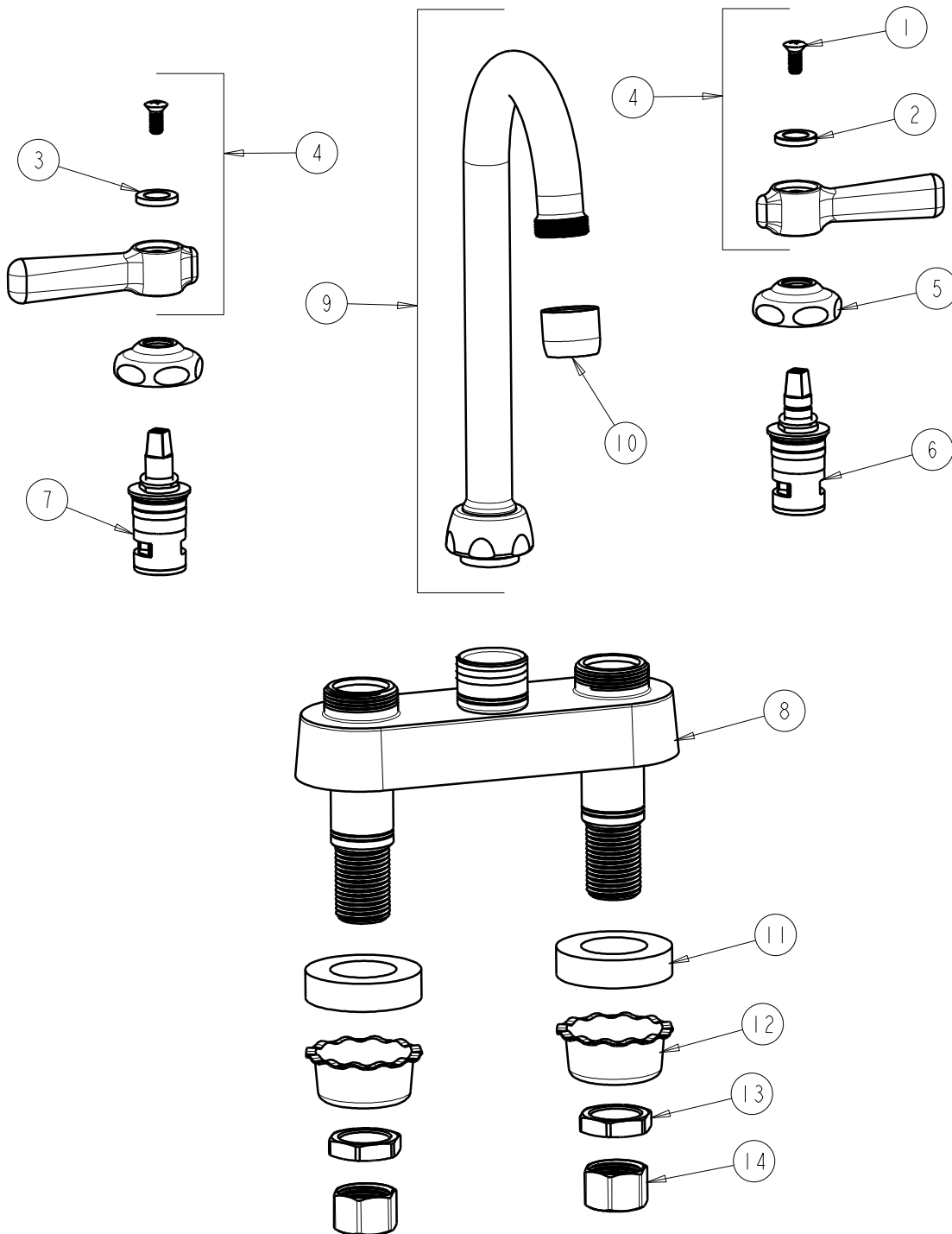
DATE: 05-21-09

CHK: *[Signature]*

REV:

ITEM NO.

**FOR TECHNICAL ASSISTANCE**  
1-800-TEC-TRUE (1-800-832-8783)



ITEM	PART NO.	DESCRIPTION	ITEM	PART NO.	DESCRIPTION
1	420-010JKRCF	SCREW, 10-32 UNC PH 1/2	8	-----	VALVE BODY (NOT SOLD SEPARATELY)
2	633-123JKNF	INDEX BUTTON (BLUE)	9	GN1AE3JKCP	FOR PARTS SEE GN1AE3JKCP
3	633-023JKNF	INDEX BUTTON (RED)	10	E3JKCP	SOFTFLO AERATOR OUTLET
4	369-PRJKCP	LEVER HANDLE ASSEMBLY (PAIR)	11	555-313JKNF	WASHER
5	1-214JKCP	CAP	12	1797-114JKNF	BASIN COCK WASHER
6	AB1-099XKJKNF	RH CERAMIC CARTRIDGE 1/4 (BOX-12)	13	49-004JKRBF	LOCKNUT
7	AB1-100XKJKNF	LH CERAMIC CARTRIDGE 1/4 (BOX-12)	14	49-005JKRBF	COUPLING NUT