

CHICAGO FAUCETS
a Geberit company

2100 South Clearwater Drive
Des Plaines, IL 60018
Phone: 847-803-5000
Fax: 847-803-5454
www.chicagofaucets.com

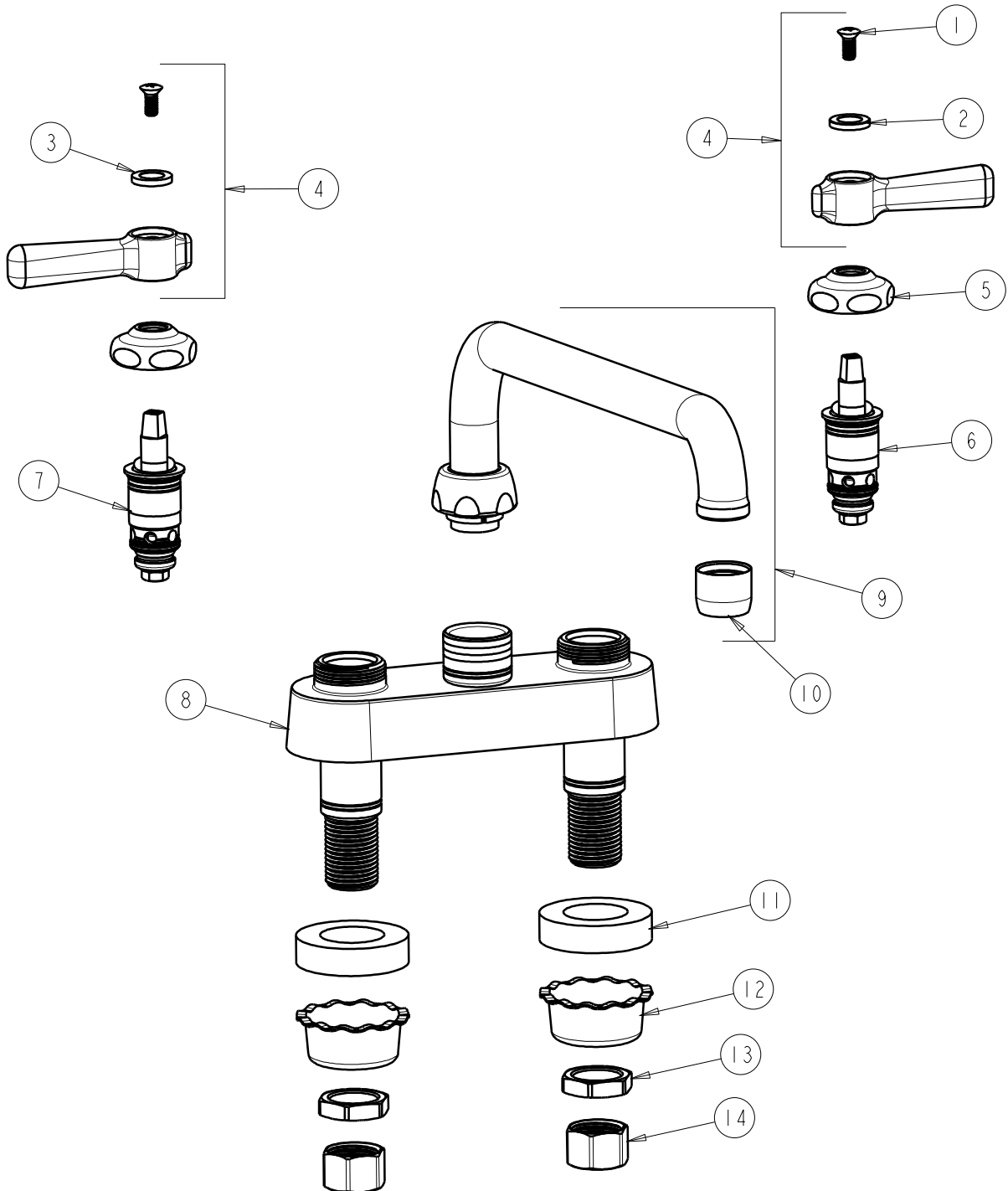
REPAIR PARTS

FITTING NO.
895-L12ABCP
SUBMITTED MODEL NO.

FOR TECHNICAL ASSISTANCE
1-800-TEC-TRUE (1-800-832-8783)

BY: SID DATE: 05-21-09
CHK: *[Signature]* REV:

ITEM NO.



ITEM	PART NO.	DESCRIPTION	ITEM	PART NO.	DESCRIPTION
1	420-010JKRCF	SCREW, 10-32 UNC PH 1/2	8	---	VALVE BODY (NOT SOLD SEPARATELY)
2	633-123JKNF	INDEX BUTTON (BLUE)	9	L12JKCP	FOR PARTS SEE L12JKCP
3	633-023JKNF	INDEX BUTTON (RED)	10	E3JKCP	SOFTFLO AERATOR OUTLET
4	369-PRJKCP	LEVER HANDLE ASSEMBLY (PAIR)	11	555-313JKNF	WASHER
5	1-214JKCP	CAP	12	1797-114JKNF	BASIN COCK WASHER
6	AB1-099XTJKNF	QUATURN UNIT (RH)	13	49-004JKRBF	LOCKNUT
7	AB1-100XTJKNF	QUATURN UNIT (LH)	14	49-005JKRBF	COUPLING NUT