

**CHICAGO FAUCETS**  
a Geberit company

2100 South Clearwater Drive  
Des Plaines, IL 60018  
Phone: 847-803-5000  
Fax: 847-803-5454  
www.chicagofaucets.com

**REPAIR PARTS**

FITTING NO.

**802-VABCP**

SUBMITTED MODEL NO.

BY: SID

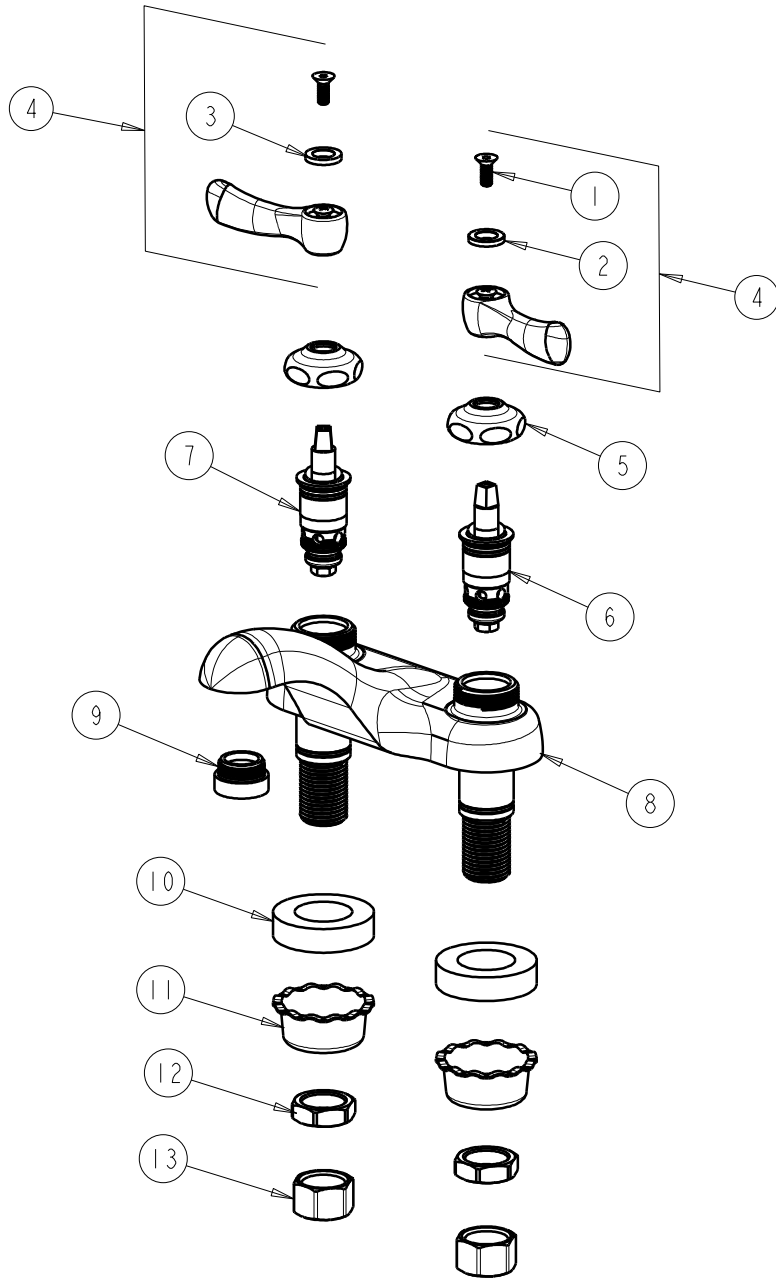
DATE: 10-29-08

CHK: *[Signature]*

REV:

ITEM NO.

**FOR TECHNICAL ASSISTANCE**  
1-800-TEC-TRUE (1-800-832-8783)



ITEM	PART NO.	DESCRIPTION	ITEM	PART NO.	DESCRIPTION
1	420-020JKNF	SCREW, 1/8 FLAT HEX HEAD X 1/2	8	---	VALVE BODY NOT SOLD SEPARATELY
2	633-123JKNF	INDEX BUTTON (BLUE)	9	E12VPJKCP	V.R. SOFTFLO AERATOR
3	633-023JKNF	INDEX BUTTON (RED)	10	555-313JKNF	WASHER
4	390-PRJKCP	LEVER HANDLE ASSEMBLY (PAIR)	11	1797-114JKNF	BASIN COCK WASHER
5	1-214JKCP	CAP	12	49-004JKRBF	LOCKNUT
6	AB1-099XTJKNF	QUATURN UNIT (RH)	13	49-005JKRBF	COUPLING NUT
7	AB1-100XTJKNF	QUATURN UNIT (LH)			