

CHICAGO FAUCETS
a Geberit company

2100 South Clearwater Drive
Des Plaines, IL 60018
Phone: 847-803-5000
Fax: 847-803-5454
www.chicagofaucets.com

REPAIR PARTS

FITTING NO.

802-V335ABCP

SUBMITTED MODEL NO.

BY: SID

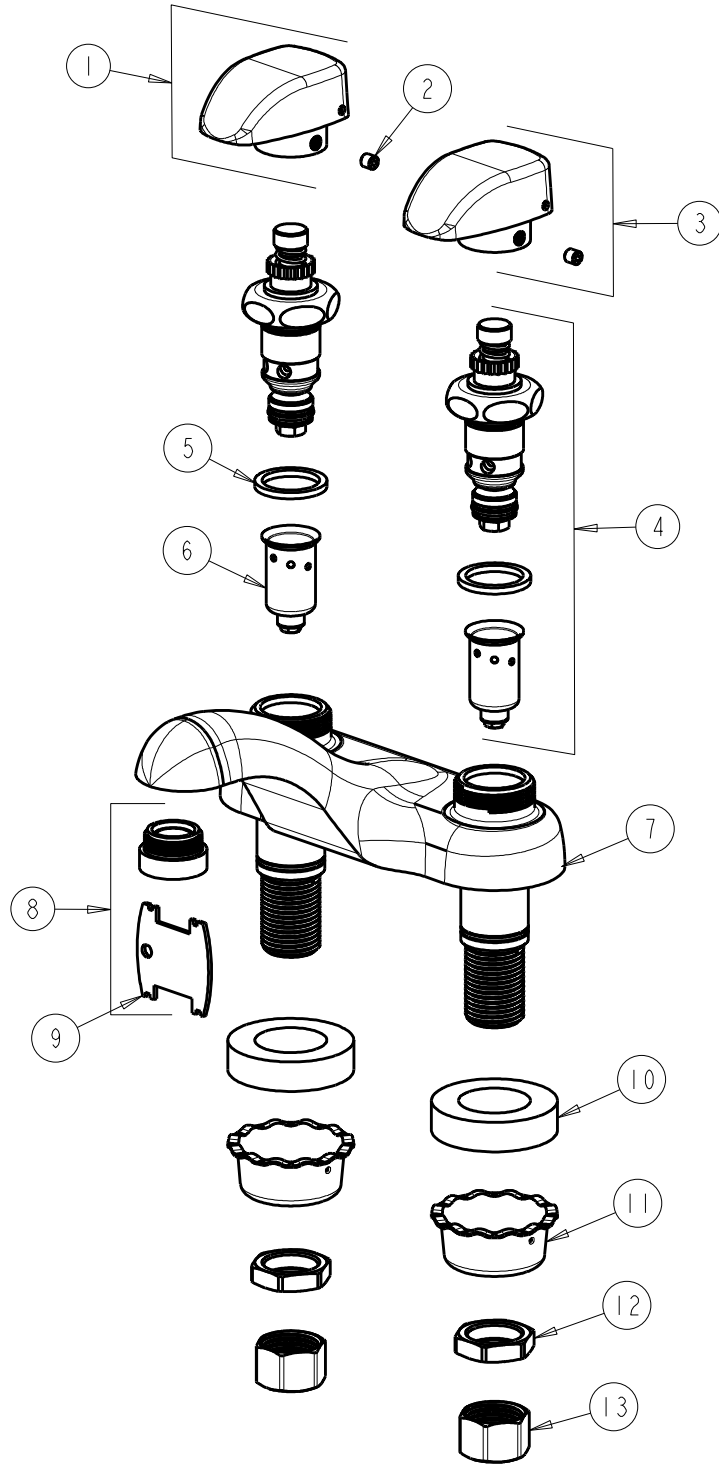
DATE: 06-07-12

CHK: *[Signature]*

REV:

ITEM NO.

FOR TECHNICAL ASSISTANCE
1-800-TEC-TRUE (1-800-832-8783)



ITEM	PART NO.	DESCRIPTION	ITEM	PART NO.	DESCRIPTION
1	335-007KJKCP	HOT TILT HANDLE	8	E12VPJKCP	V.R. SOFTFLO AERATOR W/ KEY
2	665-016JKNF	SET SCREW	9	3-024JKRCF	KEY, VP
3	335-107KJKNF	COLD TILT HANDLE	10	555-313JKNF	WASHER
4	335-XJKNF	TIP TAP CARTRIDGE FOR 335X	11	1797-114JKNF	BASIN COCK WASHER
5	1-043JKNF	GASKET, CAP 1 X .80 X .09	12	49-004JKRBF	LOCKNUT
6	333-073KJKNF	DASPOT, SLOW	13	49-005JKRBF	COUPLING NUT
7	—	VALVE BODY NOT SOLD SEPARATELY			