

CHICAGO FAUCETS
a Geberit company

2100 South Clearwater Drive
Des Plaines, IL 60018
Phone: 847-803-5000
Fax: 847-803-5454
www.chicagofaucets.com

REPAIR PARTS

FITTING NO.

802-336ABCP

SUBMITTED MODEL NO.

BY: SID

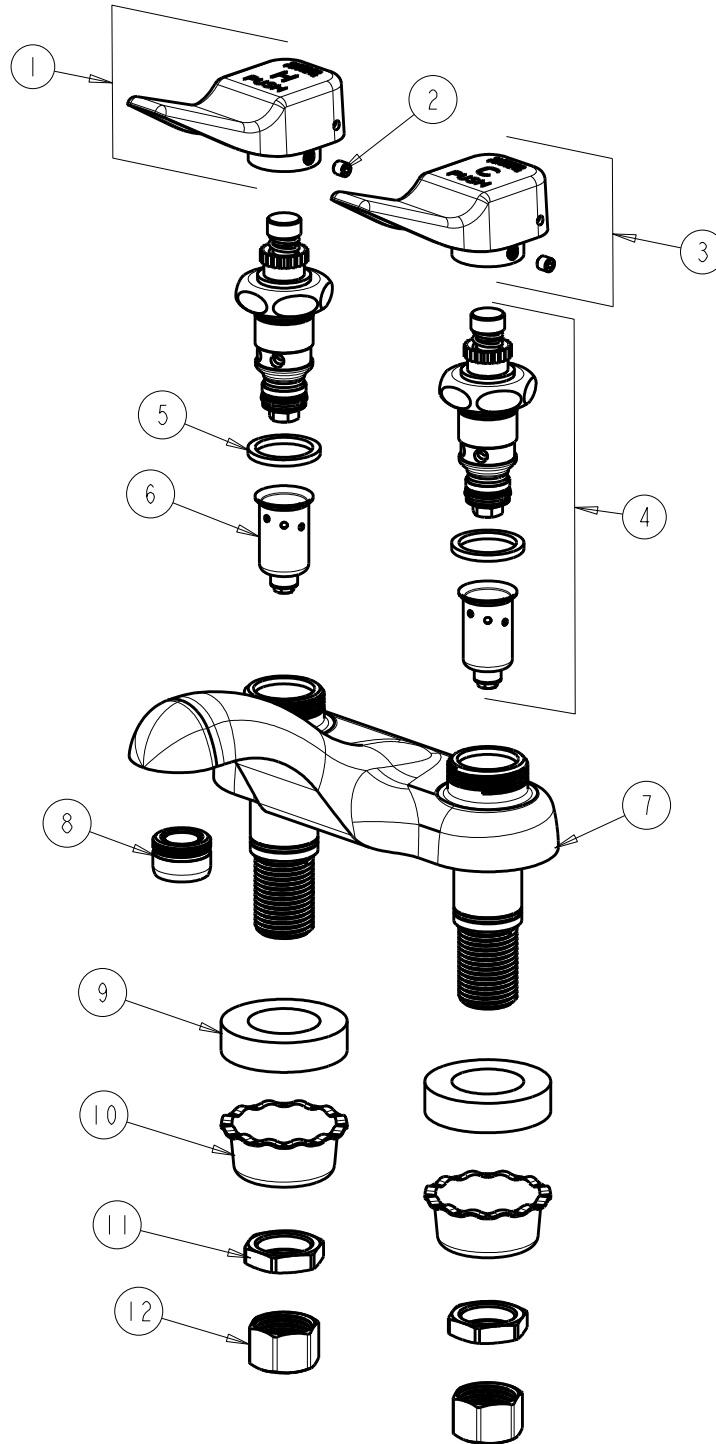
DATE: 04-25-11

CHK: *ML*

REV: 04-27-11

ITEM NO.

FOR TECHNICAL ASSISTANCE
1-800-TEC-TRUE (1-800-832-8783)



ITEM	PART NO.	DESCRIPTION	ITEM	PART NO.	DESCRIPTION
1	336-403KJKCP	HOT PUSH-TILT V.R. HANDLE	7	—	VALVE BODY NOT SOLD SEPARATELY
2	665-016JKNF	SET SCREW	8	E12JKCP	SOFTFLO OUTLET
3	336-402KJKCP	COLD PUSH-TILT V.R. HANDLE	9	555-313JKNF	WASHER
4	335-XJKABNF	TIP TAP UNIT FOR 335X CENTERSET	10	1797-114JKNF	BASIN COCK WASHER
5	1-043JKNF	GASKET, CAP 1 X .80 X .09	11	49-004JKRBF	LOCKNUT
6	333-073KJKNF	DASHPOT, SLOW	12	49-005JKRBF	COUPLING NUT